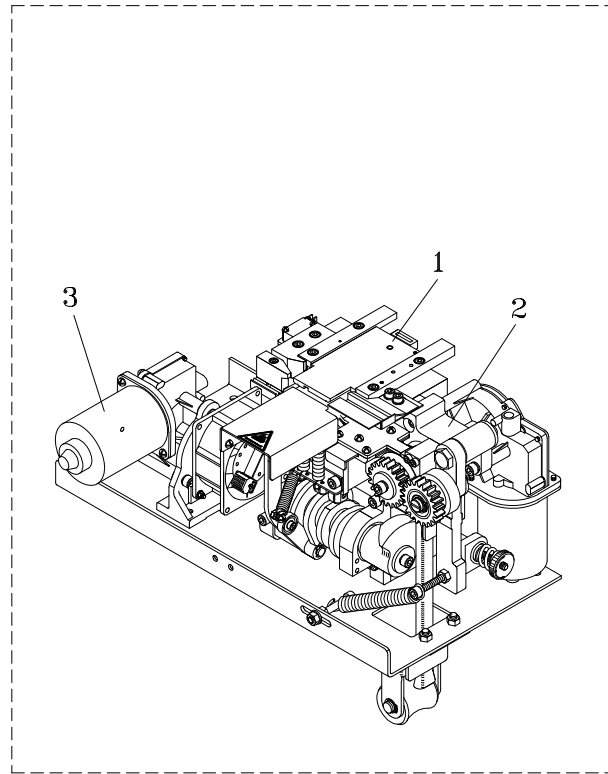


PART II

CONTENTS

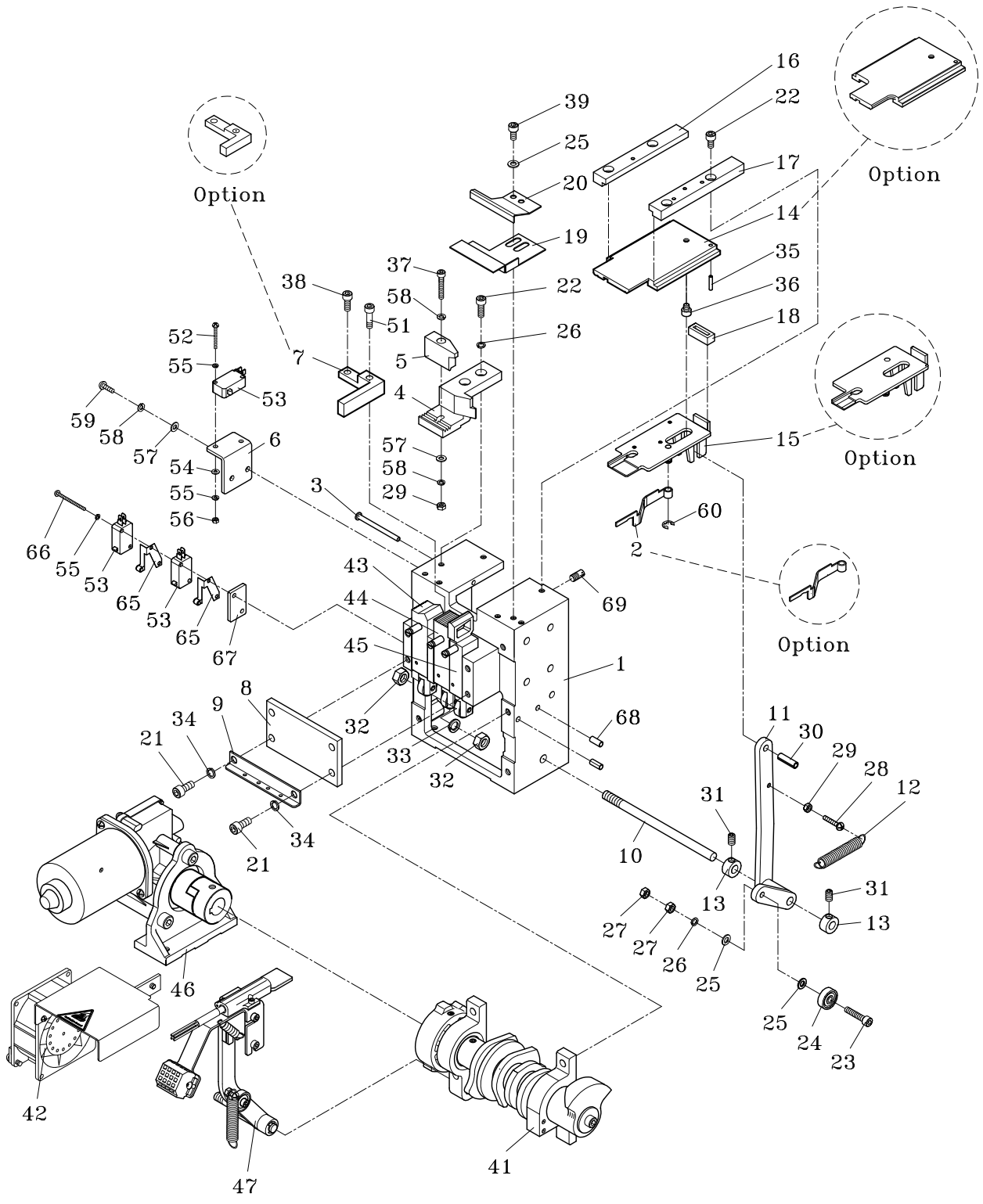
1. Strapping Head Unit	1~17
2. Body Frame Unit	18~22
3. Reel Unit	23~25
4. Electric Control Unit	26~31

STRAPPING HEAD UNIT



T5-1-90000

REF. NO.	PART NO.	DESCRIPTION	Q'TY	REMARKS
1	T5-1-10000	Strapping Head Group	1	SEE PAGE 2
2	T5-1-20000	Feed Group	1	SEE PAGE 10
3	T5-1-30000	Transmission Group	1	SEE PAGE 17



REF. NO.	PART NO.	DESCRIPTION	Q'TY	REMARKS
1	T5-1-10110	Main Body Block	1	
2	T5-1-10120	Switch Lever	1	
	T5-1-10730	Switch Lever (For Small Package) (Option)	1	
3	T5-1-10130	Switch Pin	1	
4	T5-1-10140	Strap Guide (A)	1	
5	T5-1-10150	Strap Guide (B)	1	
6	T5-1-10160	Switch Bracket	1	
7	TA-239	Cutter Holder	1	
	T5-1-10740	Cutter Holder (For Small Package) (Option)	1	
8	TA-067	Bar Guide Lid	1	
9	TA-072	Spring Hook	1	
10	TA-094	Shaft	1	
11	TA-090	Arm	1	
12	TB-114	Return Spring	1	
13	TA-229	Collar	2	
14	TA-080	Slide	1	
	T5-1-10710	Slide (For Small Package)(Option)	1	
15	T5-1-10250	Separator	1	
	T5-1-10720	Separator (For Small Package)(Option)	1	
16	TA-095	Guide (L)	1	
			1	
17	TA-226	Guide (R)	1	
18	TA-236	Rubber Buffer	1	

1-1

STRAPPING HEAD GROUP

T5-1-10000

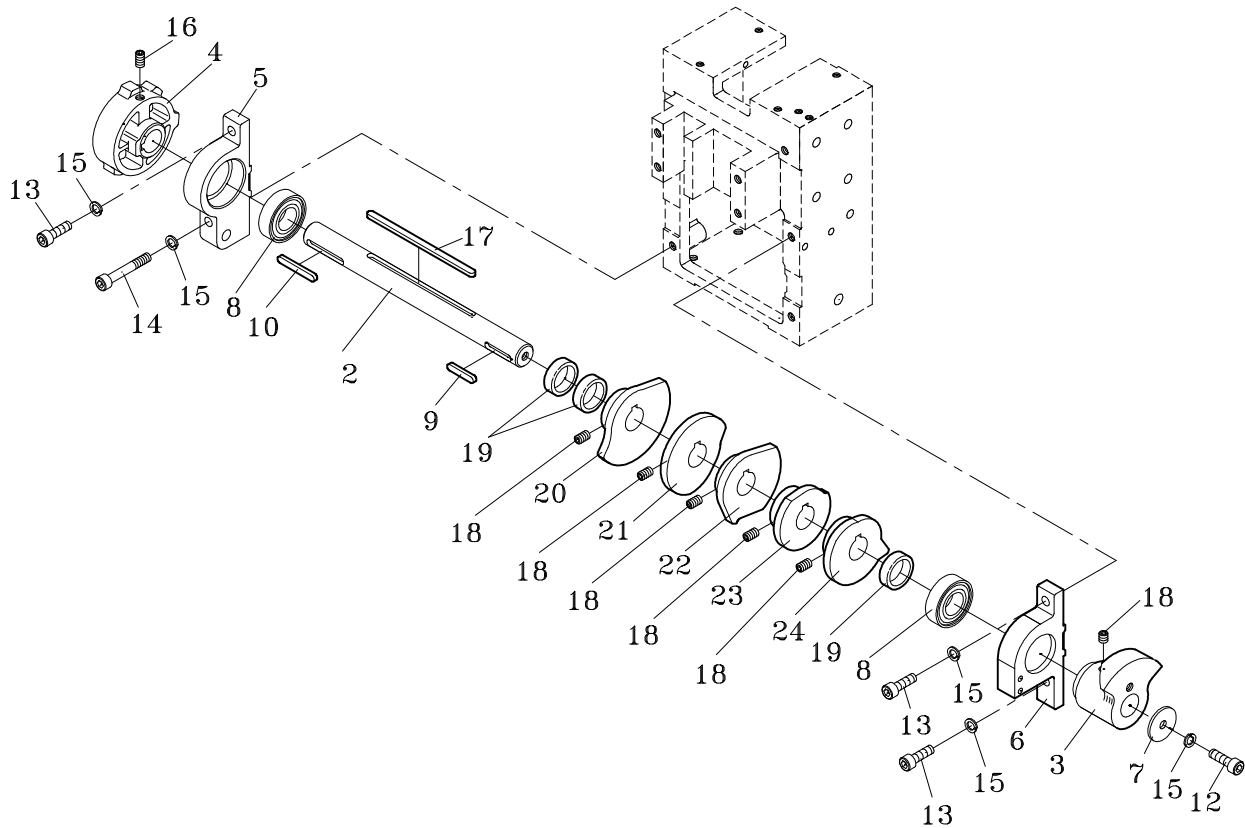
REF. NO.	PART NO.	DESCRIPTION	Q'TY	REMARKS
19	TB-208	Front Plate	1	
20	TB-197	Guide Front	1	
21	HBS0616	HBS, M6×16	4	
22	HBS0512	HBS, M5×12	6	
23	HBS0525	HBS, M5×25	1	
24	BR635ZZ	Bearing, 635ZZ	1	
25	PW05	PW, M5	2	
26	SW05	SW, M5	5	
27	HN05	HN, M5	2	
28	PMS0420	PMS, M4×20	1	
29	HN04	HN, M4	2	
30	SP0620	Spring Pin, 6×20	1	
31	HSS0606G	HSS, M6×6 (G)	2	
32	HN08	HN, M8	2	
33	SW08	SW, M8	1	
34	SW06	SW, M6	4	
35	SP0314	Spring Pin, 3×14	1	
36	HBS0505.2	HBS, M5×5.2	1	
37	HBS0425	HBS, M4×25	1	
38	HBS0516	HBS, M5×16	1	
39	HBS0510	HBS, M5×10	2	
41	T5-1-11000	Cam Group	1	SEE PAGE 5
42	T5-1-12001	Fan Ass'y	1	SEE PAGE 6
43	T5-1-13000	Rear Bar Ass'y	1	SEE PAGE 7
	T5-1-13200	Rear Bar Ass'y (For Small Package) (Option)	1	SEE PAGE 7

REF. NO.	PART NO.	DESCRIPTION	Q'TY	REMARKS
44	T5-1-14000	Press Bar Ass'y	1	SEE PAGE 8
	T5-1-14200	Press Bar Ass'y (For Small Package) (Option)	1	SEE PAGE 8
45	T5-1-15000	Front Bar Ass'y	1	SEE PAGE 9
46	T5-1-30000	Transmission Group	1	SEE PAGE 17
47	T5-1-12002	Heater Ass'y	1	SEE PAGE 6-1
51	HBS0525H	HBS, M5×25 (H)	1	
52	PMS0320	PMS, M3×20	2	
53	TF-006	Micro Switch	3	
54	PW03	PW, M3	2	
55	SW03	SW, M3	6	
56	HN03	HN, M3	2	
57	PW04	PW, M4	3	
58	SW04	SW, M4	4	
59	PMS0412	PMS, M4×12	2	
60	ER03	Snap Ring, E-3	1	
65	TF-009	Switch Trigger	2	
66	PMS0335	PMS, M3×35	2	
67	T5-1-10770	Plate	1	
68	SP0512	Spring Pin, 5×12	2	
69	TA-089	Spring Hook	1	

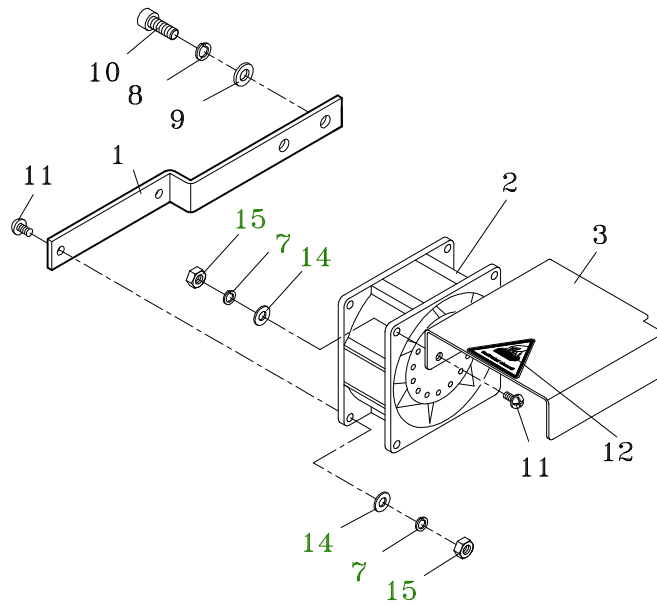
1-1-1

CAM GROUP

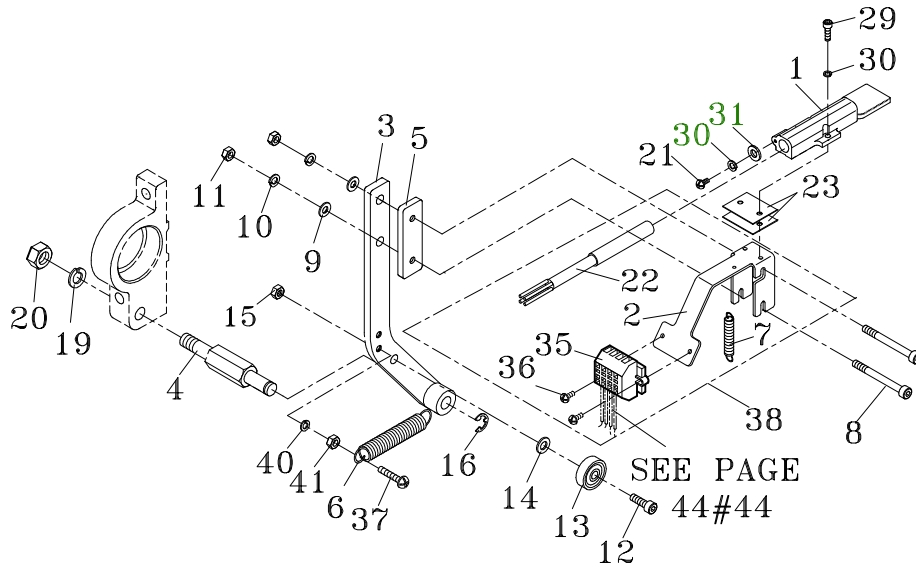
T5-1-11000



REF. NO.	PART NO.	DESCRIPTION	Q'TY	REMARKS
2	T5-1-11121	Cam Shaft	1	
3	T5-1-11130	Tension Cam	1	
4	T5-1-11140	Limit Switch Contactor	1	
5	TA-008-2	Bearing Support (L)	1	
6	TA-017-2	Bearing Support (R)	1	
7	TB-223	Washer	1	
8	BR6003ZZ	Bearing, 6003ZZ	2	
9	KYA050520	Key, 5×5×20	1	
10	KYA050535	Key, 5×5×35	1	
12	HBS0616	HBS, M6×16	1	
13	HBS0620	HBS, M6×20	3	
14	HBS0645H	HBS, M6×45 (H)	1	
15	SW06	SW, M6	5	
16	HSS0610G	HSS, M6×10 (G)	1	
17	KYA0505101	Key, 5×5×101	1	
18	HSS0608G	HSS, M6×8 (G)	6	
19	TA-241	Spacer	3	
20	TA-015A	Rear Bar Cam	1	
21	TA-015B	Heater Cam	1	
22	TA-012A	Grip Cam	1	
23	TA-012B	Grip Cam	1	
24	TA-014	Cam Separator	1	



REF. NO.	PART NO.	DESCRIPTION	Q'TY	REMARKS
1	T5-1-12360	Fan Support	1	
2	T5-1-12370	Fan	1	
3	T5-1-12380	Fan Cover	1	
7	SW04	SW, M4	4	
8	SW06	SW, M6	2	
9	PW06A	PW, M6 (A)	2	
10	HBS0616	HBS, M6x16	2	
11	TMS0408	TMS, M4x8	4	
12	LA-40002	Label	1	
14	PW04	PW, M4	4	
15	HN04	HN, M4	4	



REF. NO.	PART NO.	DESCRIPTION	Q'TY	REMARKS
1	T5-1-12110	Heater Tongue	1	
	T5-1-12280	Heater Tongue (For Small Package)(Option)	1	
2	T5-1-12121	Heater Bracket	1	
3	TB-102	Heater Arm	1	
4	TB-103	Pin	1	
5	TB-107	Side Plate	1	
6	TB-114	Return Spring	1	
7	TB-115	Spring	1	
8	HBS0440HS	HBS, M4×40 (H) (SUS)	2	
9	PW04S	PW, M4 (SUS)	2	
10	SW04S	SW, M4 (SUS)	2	
11	HN04S	HN, M4 (SUS)	2	
12	HBS0516	HBS, M5×16	1	
13	BR635ZZ	Bearing, 635ZZ	1	
14	PW05	PW, M5	1	
15	HN05	HN, M5	1	
16	ER06	Snap Ring, E-6	1	
19	SW08	SW, M8	1	
20	HN08	HN, M8	1	
21	TMS0308S	TMS, M3×8 (SUS)	1	
22	T5-1-12320	Heater	1	
23	T5-1-12330	Heat-Insulation	2	
29	HBS0308S	HBS, M3×8 (SUS)	2	
30	SW03S	SW, M3 (SUS)	3	

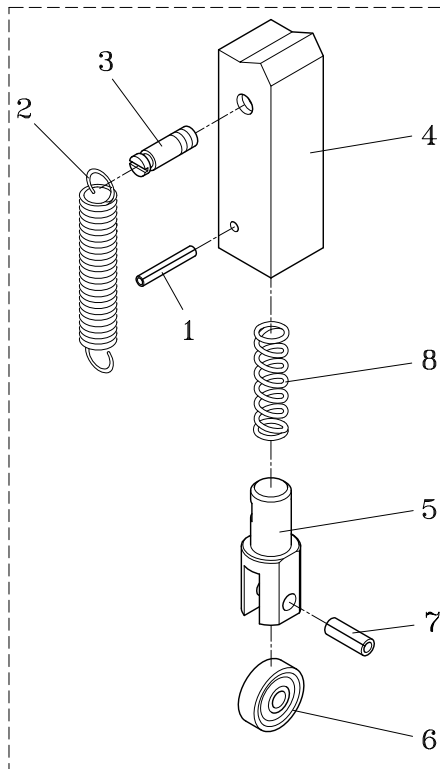
1-1-3**HEATER ASS'Y****T5-1-12002**

REF. NO.	PART NO.	DESCRIPTION	Q'TY	REMARKS
31	PW03S	PW, M3 (SUS)	1	
35	T5-1-12451	Heater Terminal	1	
36	PMS0306	PMS, M3×6	2	
37	PMS0420	PMS, M4×20	1	
38	T5-1-12003	Heater Ass'y	1	
40	SW04	SW, M4	1	
41	HN04	HN, M4	1	

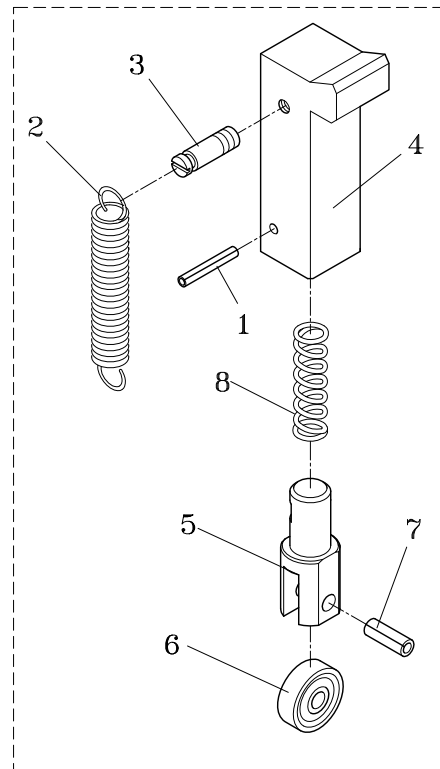
1-1-4

REAR BAR ASS'Y

T5-1-13000
T5-1-13200



T5-1-13000



T5-1-13200 (Option)

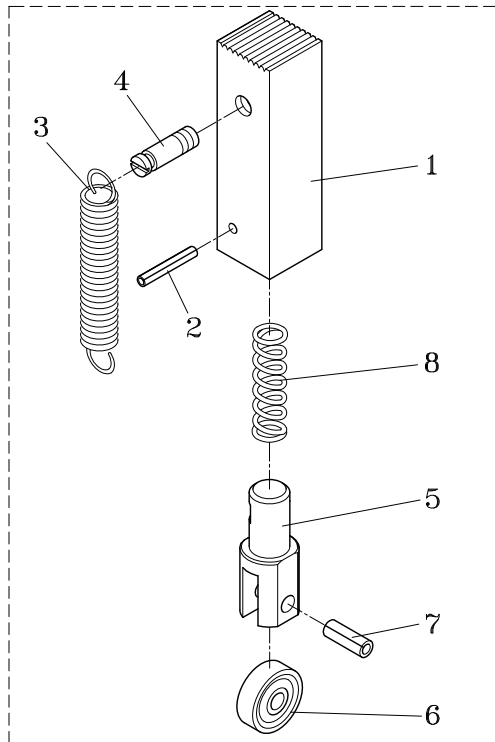
REF. NO.	PART NO.	DESCRIPTION	Q'TY	REMARKS
	T5-1-13000	Rear Bar Ass'y	1	
	T5-1-13200	Rear Bar Ass'y (For Small Package)(Option)	1	
		(Stainless Steel Model)	1	
1	SP0318	Spring Pin, 3×18	1	
2	TA-071	Return Spring	1	
3	TA-073	Spring Hook	1	
4	TA-074	Rear Bar	1	
	T5-1-13190	Rear Bar (For Small Package) (Option)	1	
5	TA-075	Plunger	1	
6	BR635ZZ	Bearing, 635ZZ	1	
7	SP0514	Spring pin, 5×14	1	
8	TA-078	Spring	1	

1-1-5

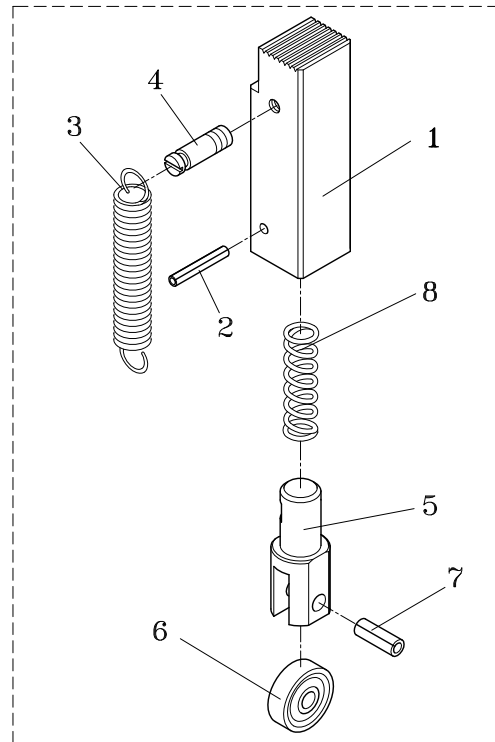
PRESS BAR ASS'Y

T5-1-14000

T5-1-14200

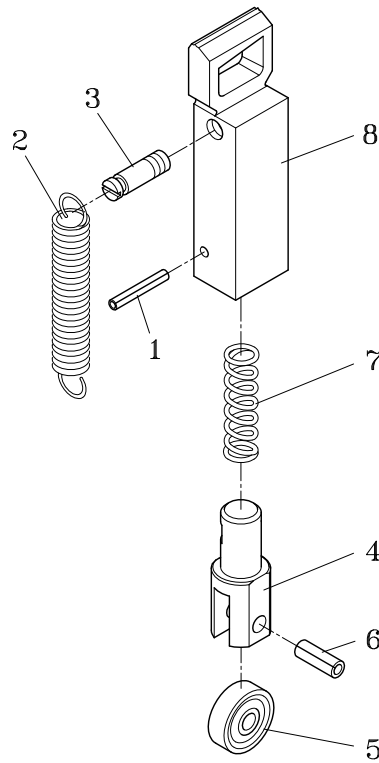


T5-1-14000

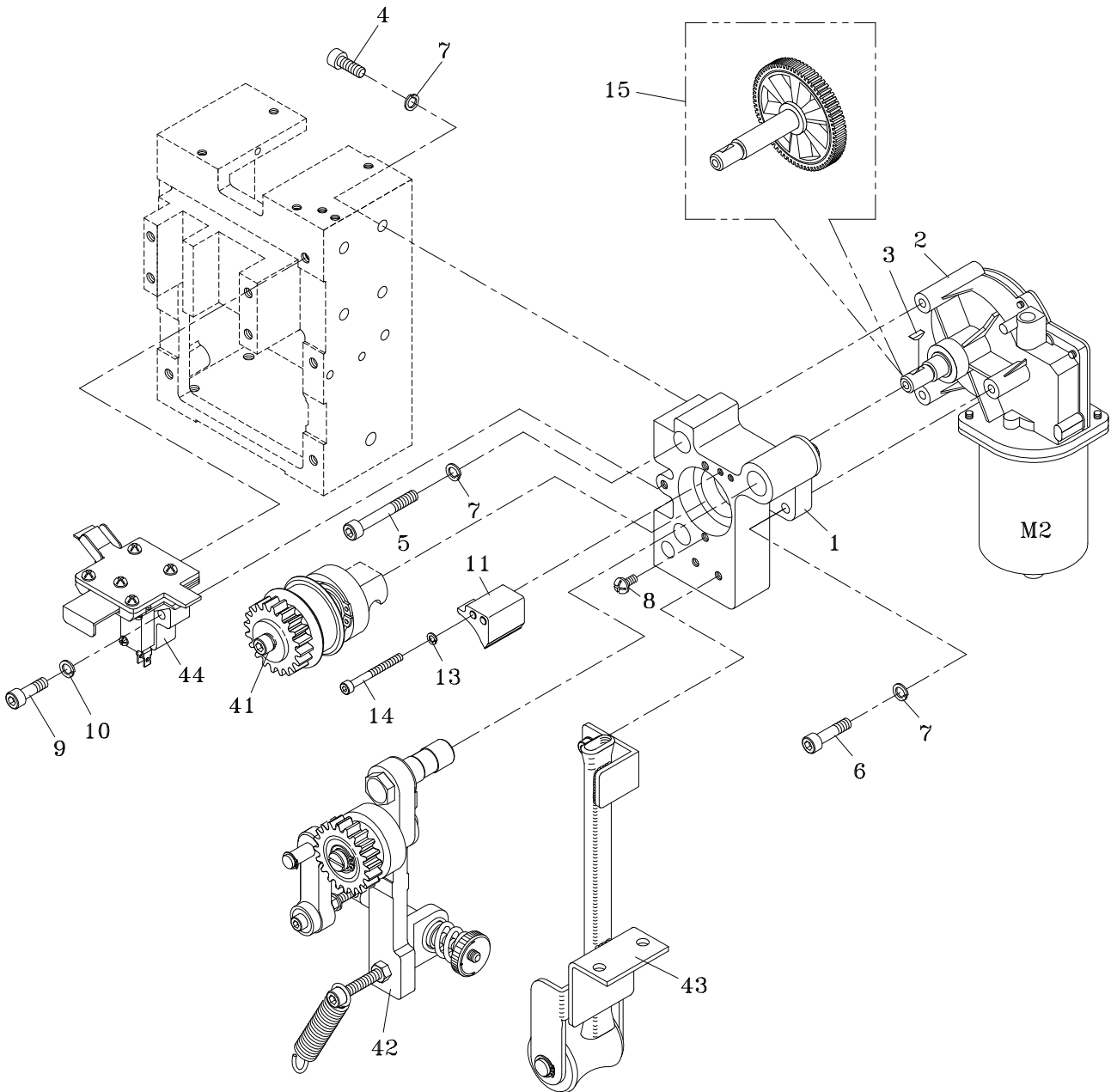


T5-1-14200 (Option)

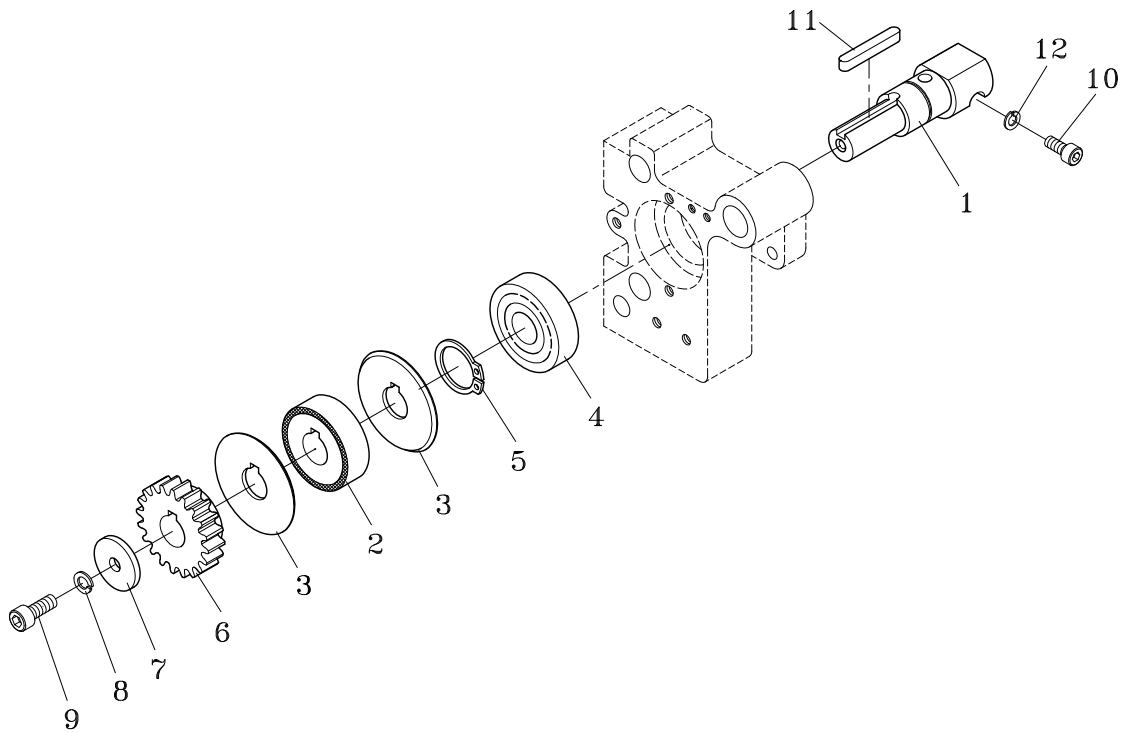
REF. NO.	PART NO.	DESCRIPTION	Q'TY	REMARKS
1	T5-1-14000	Rear Bar Ass'y	1	
	T5-1-14200	Rear Bar Ass'y (For Small Package) (Option)	1	
	TA-069	Press Bar	1	
	T5-1-14190	Press Bar (For Small Package) (Option)	1	
				1
2	SP0318	Spring Pin, 3×18	1	
3	TA-071	Return Spring	1	
4	TA-073	Spring Hook	1	
5	TA-075	Plunger	1	
6	BR635ZZ	Bearing, 635ZZ	1	
7	SP0514	Spring Pin, 5×14	1	
8	TA-078	Spring	1	



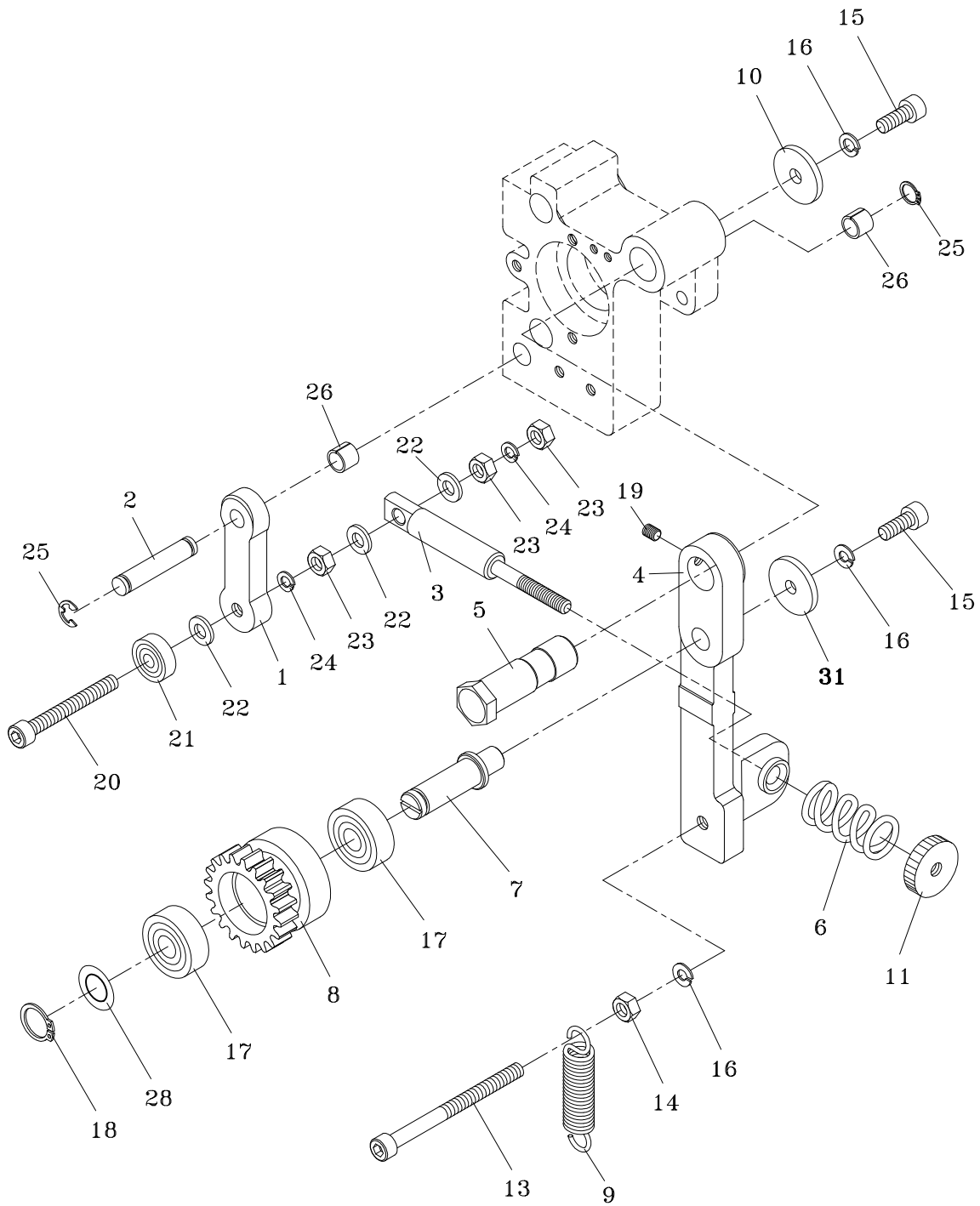
REF. NO.	PART NO.	DESCRIPTION	Q'TY	REMARKS
1	SP0318	Spring Pin, 3×18	1	
2	TA-071	Return Spring	1	
3	TA-073	Spring Hook	1	
4	TA-075	Plunger	1	
5	BR635ZZ	Bearing, 635ZZ	1	
6	SP0514	Spring Pin, 5×14	1	
7	TA-078	Spring	1	
8	TA-079	Front Bar	1	



REF. NO.	PART NO.	DESCRIPTION	Q'TY	REMARKS
1	T5-1-20110	Bracket	1	
2	T5-1-20120	Motor (M2)	1	
3	KYC0310	Key, 3×10	1	
4	HBS0620	HBS, M6×20	3	
5	HBS0650H	HBS, M6×50 (H)	2	
6	HBS0630H	HBS, M6×30 (H)	1	
7	SW06	SW, M6	6	
8	TMS0508	TMS, M5×8	2	
9	HBS0525H	HBS, M5×25 (H)	2	
10	SW05	SW, M5	2	
11	T5-1-20210	Guide	1	
13	SW04	SW, M4	2	
14	HBS0440H	HBS, M4×40 (H)	2	
15	T5-1-20250	Worm Gear For M2 Motor	1	
41	T5-1-21000	Main Roller Ass'y	1	SEE PAGE 12
42	T5-1-22000	Roller Arm Ass'y	1	SEE PAGE 13
43	T5-1-23000	Feed Shooter Ass'y	1	SEE PAGE 15
44	T5-1-24009	Strap Guide Ass'y	1	SEE PAGE 16



REF. NO.	PART NO.	DESCRIPTION	Q'TY	REMARKS
1	T5-1-21110	Main Roller Shaft	1	
2	T5-1-21120	Main Roller	1	
3	T5-1-21130	Side Plate	2	
4	BR6004 2RS	Bearing, 6004 2RS	1	
5	SR20	Stop Ring,S-20	1	
6	T5-1-21160	Gear	1	
7	TB-223	Washer	1	
8	SW06	SW, M6	1	
9	HBS0616	HBS, M6×16	1	
10	HBS0516	HBS, M5×16	1	
11	KYA050535	Key, 5×5×35	1	
12	SW05	SW, M5	1	



1-2-2**ROLLER ARM ASS'Y****T5-1-22000**

REF. NO.	PART NO.	DESCRIPTION	Q'TY	REMARKS
1	T5-1-22110	Tension Arm	1	
2	T5-1-22120	Shaft	1	
3	T5-1-22130	Connecting Rod	1	
4	T5-1-22140	Roller Arm	1	
5	T5-1-22150	Shaft	1	
6	T5-1-22160	Spring	1	
7	T5-1-22170	Roller Shaft	1	
8	T5-1-22180	Roller	1	
9	T6-3-10120	Accumulator Balance Spring	1	
10	TB-223	Washer	1	
11	TB-133	Nut	1	
13	HBS0675H	HBS, M6×75 (H)	1	
14	HN06	HN, M6	1	
15	HBS0616	HBS, M6×16	2	
16	SW06	SW, M6	3	
17	BR6001ZZ	Bearing, 6001ZZ	2	
18	SR12	Stop Ring, S-12	1	
19	HSS0508G	HSS, M5×8 (G)	1	
20	HBS0540	HBS, M5x40	1	
21	BR635ZZ	Bearing, 635ZZ	1	
22	PW05	PW, M5	3	
23	HN05	HN, M5	3	
24	SW05	SW, M5	2	
25	ER06	Snap Ring, E-6	2	
26	MB0808	Metal Bush, 0808	2	
28	T5-1-22380	Spacer	1	
31	PW06C	PW, M6 (C)	1	