

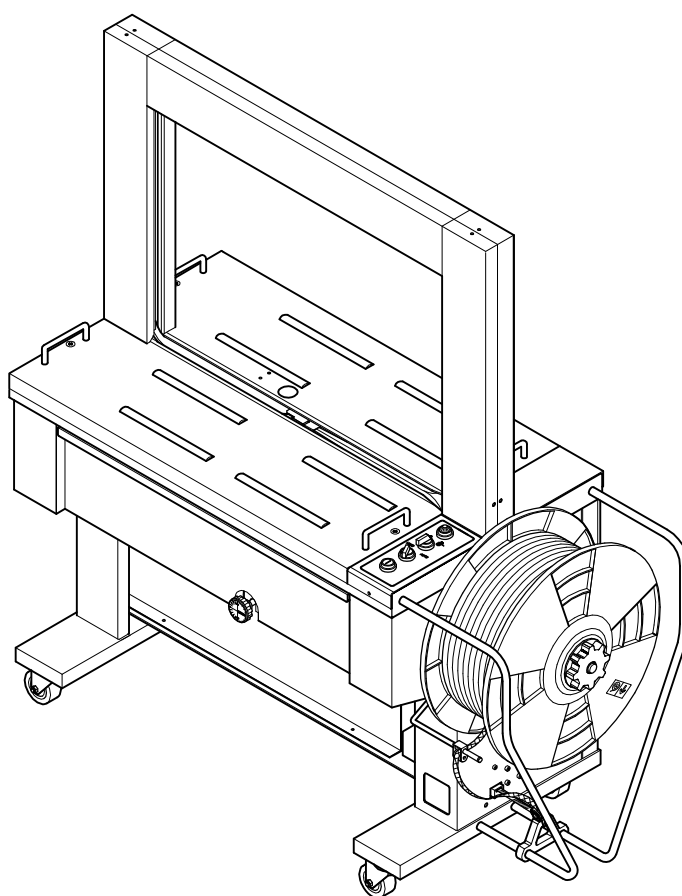
# AUTOMATIC POLYPROPYLENE STRAPPING MACHINE

TP-6000-1      TP-6000-3  
TP-6000CE1    TP-6000CE3

## OPERATION MANUAL & SPARE PARTS LIST



**IMPORTANT!  
KEEP IT WELL**



***READ ALL INSTRUCTIONS BEFORE OPERATING THIS PRODUCT***

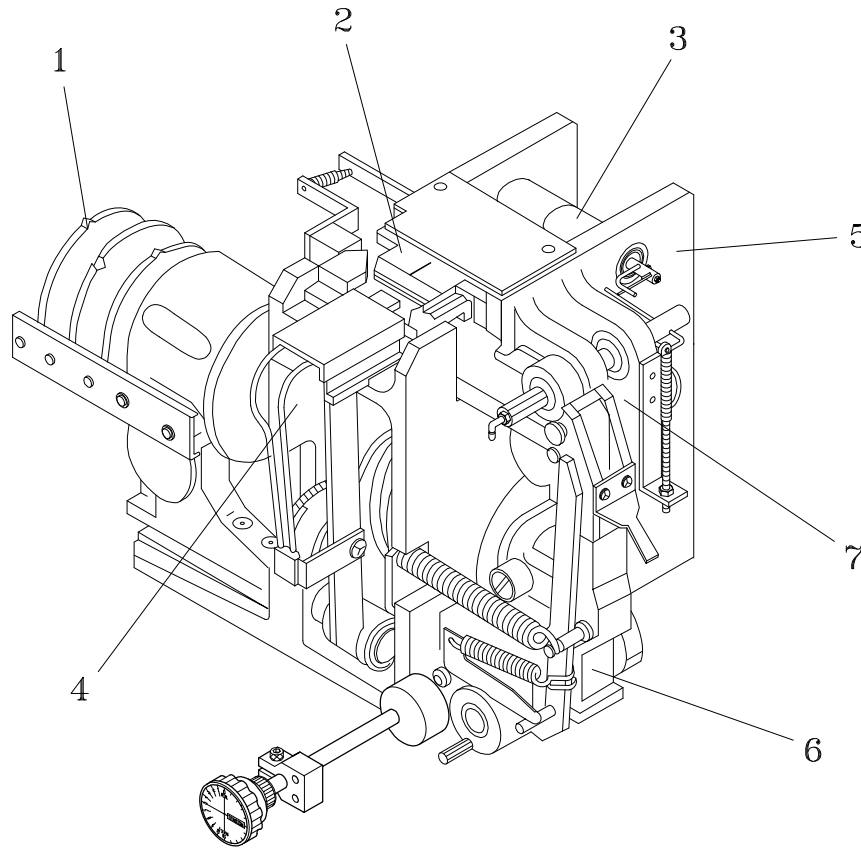
## Explanations For Each Model No. :

TP-6000-1 : Single Phase Model

TP-6000-3 : Three Phase Model

TP-6000CE1 : Single Phase With CE Version

TP-6000CE3 : Three Phase With CE Version

**1****STRAPPING HEAD UNIT****T6-1-90000****T6-1-90012****T6-1-90013**

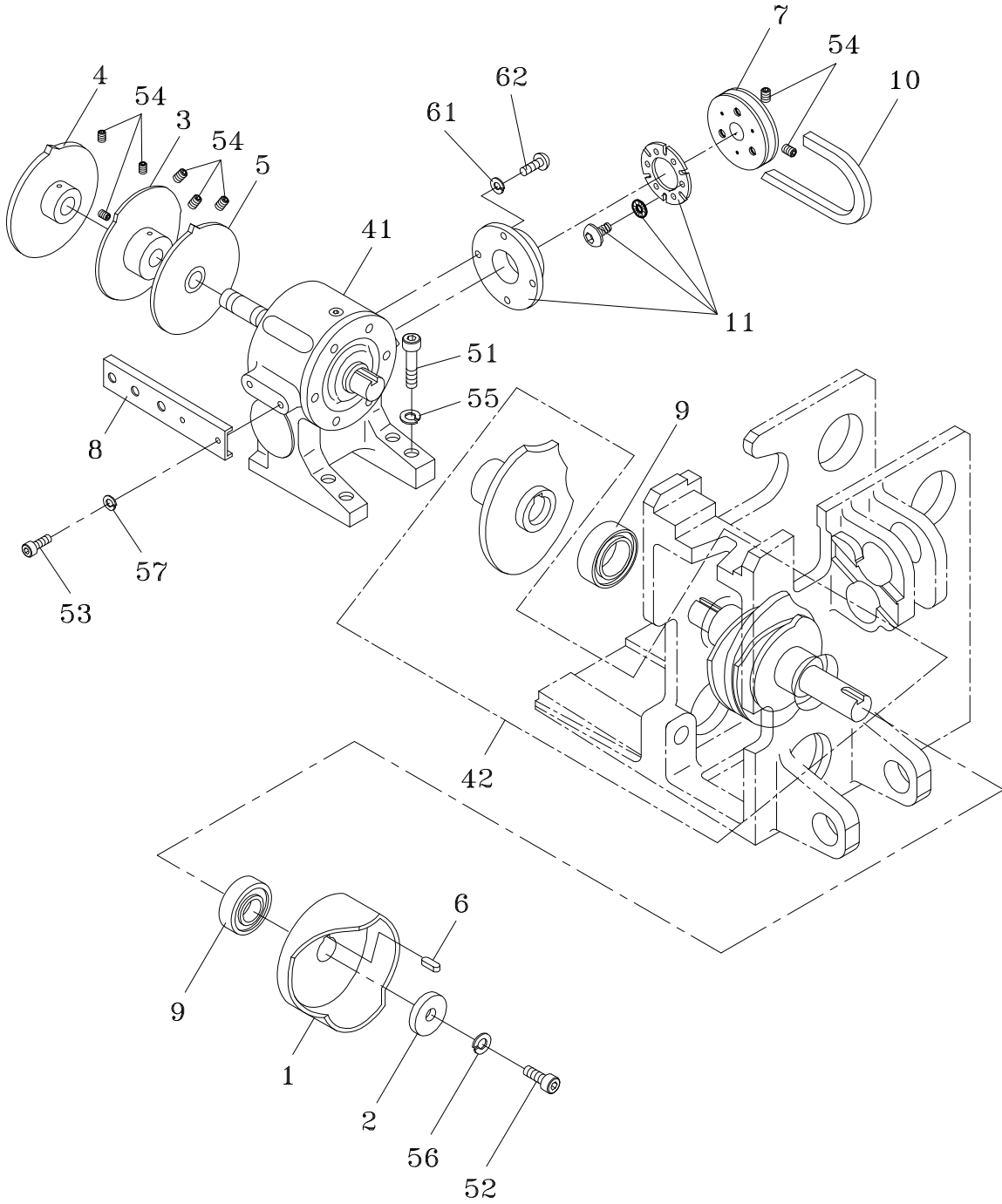
REF. NO.	PART NO.	DESCRIPTION	Q'TY	REMARKS
	T6-1-90000	Strapping Head Unit (For 12mm)	1	
	T6-1-90012	Strapping Head Unit (For 9mm)	1	
	T6-1-90013	Strapping Head Unit (For 15.5mm)	1	
1	T6-1-10006	Cam Group (For 1PH)	1	SEE PAGE 2
	T6-1-10007	Cam Group (For 3PH)	1	
2	T6-1-20005	Slide Table Group (For 12mm)	1	SEE PAGE 5
	T6-1-20006	Slide Table Group (For 9mm)	1	
	T6-1-20007	Slide Table Group (For 15.5mm)	1	
3	T6-1-30000	Press Group	1	SEE PAGE 9
4	T6-1-40000	Heater Group	1	SEE PAGE 14
5	T6-1-50000	Strapping Head Group	1	SEE PAGE 18
6	T6-1-60000	Tension Group	1	SEE PAGE 20
7	T6-1-70010	Feed Group (For 12mm)	1	SEE PAGE 27
	T6-1-70011	Feed Group (For 9mm)	1	
	T6-1-70012	Feed Group (For 15.5mm)	1	

1-1

CAM GROUP

T6-1-10006

T6-1-10007



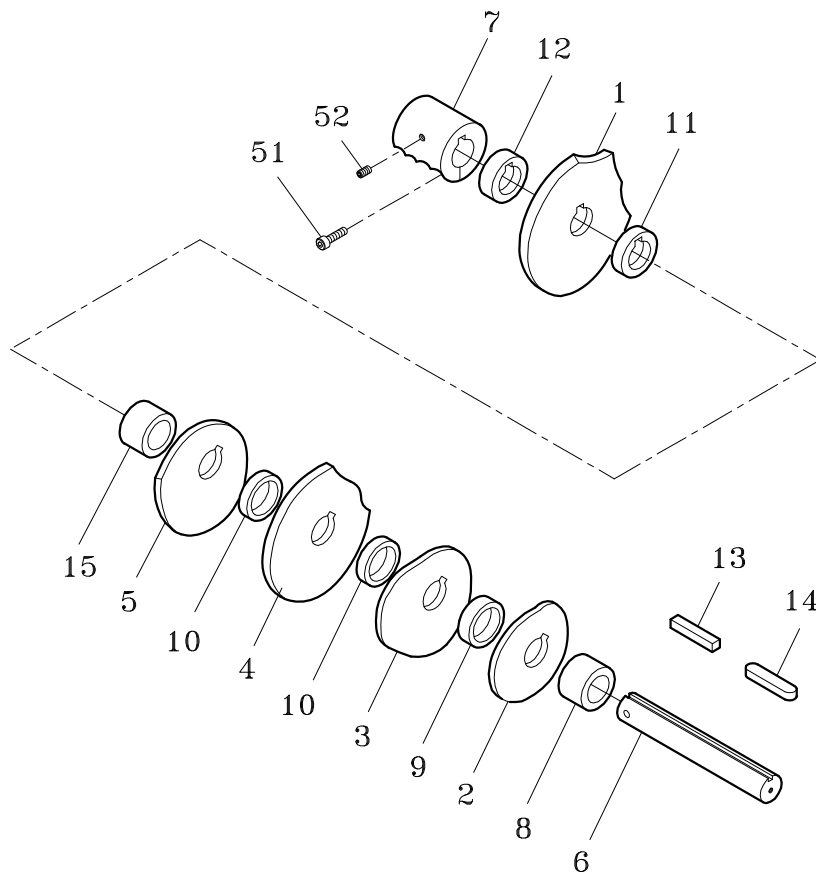
**1-1****CAM GROUP****T6-1-10006****T6-1-10007**

REF. NO.	PART NO.	DESCRIPTION	Q'TY	REMARKS
	<b>T6-1-10006</b>	<b>Cam Group (For 1PH)</b>	<b>1</b>	
	<b>T6-1-10007</b>	<b>Cam Group (For 3PH)</b>	<b>1</b>	
1	T6-1-10110	Tension Cam	1	
2	T6-1-10120	Cam Shaft End Plate	1	
3	T6-1-10130	Limit Cam (LS1)	1	
4	T6-1-10140	Limit Switch Contactor A (LS3)	1	
5	T6-1-10150	Limit Switch Contactor B (LS2)	1	
6	KYA070720	Key, 7x7x20	2	
7	T6-6-30004	Gear Box Pulley	1	
8	T6-1-10180	Limit Switch Bracket	1	
9	BR6205ZZ	Bearing, 6205ZZ	2	
10	T6-1-10200	<b>V-Belt (A26) (For 1PH)</b>	1	
	T6-1-10201	<b>V-Belt (A25) (For 3PH)</b>	1	
11	T6-6-10180	Magnet Brake	1	
41	T6-1-11000	Gear Box	1	
42	T6-1-12000	Cam Ass'y	1	SEE PAGE 4
51	HBS0845H	HBS, M8x45 (H)	4	
52	HBS0825	HBS, M8x25	1	
53	HBS0615	HBS, M6x15	2	
54	HSS0610	HSS, M6x10	8	
55	<b>PW08B</b>	<b>PW, M8 (B)</b>	4	
56	SW08	SW, M8	1	
57	SW06	SW, M6	2	
61	SW04	SW, M4	4	
62	PMS0412	PMS, M4x12	4	

1-1-1

## CAM ASS'Y

T6-1-12000

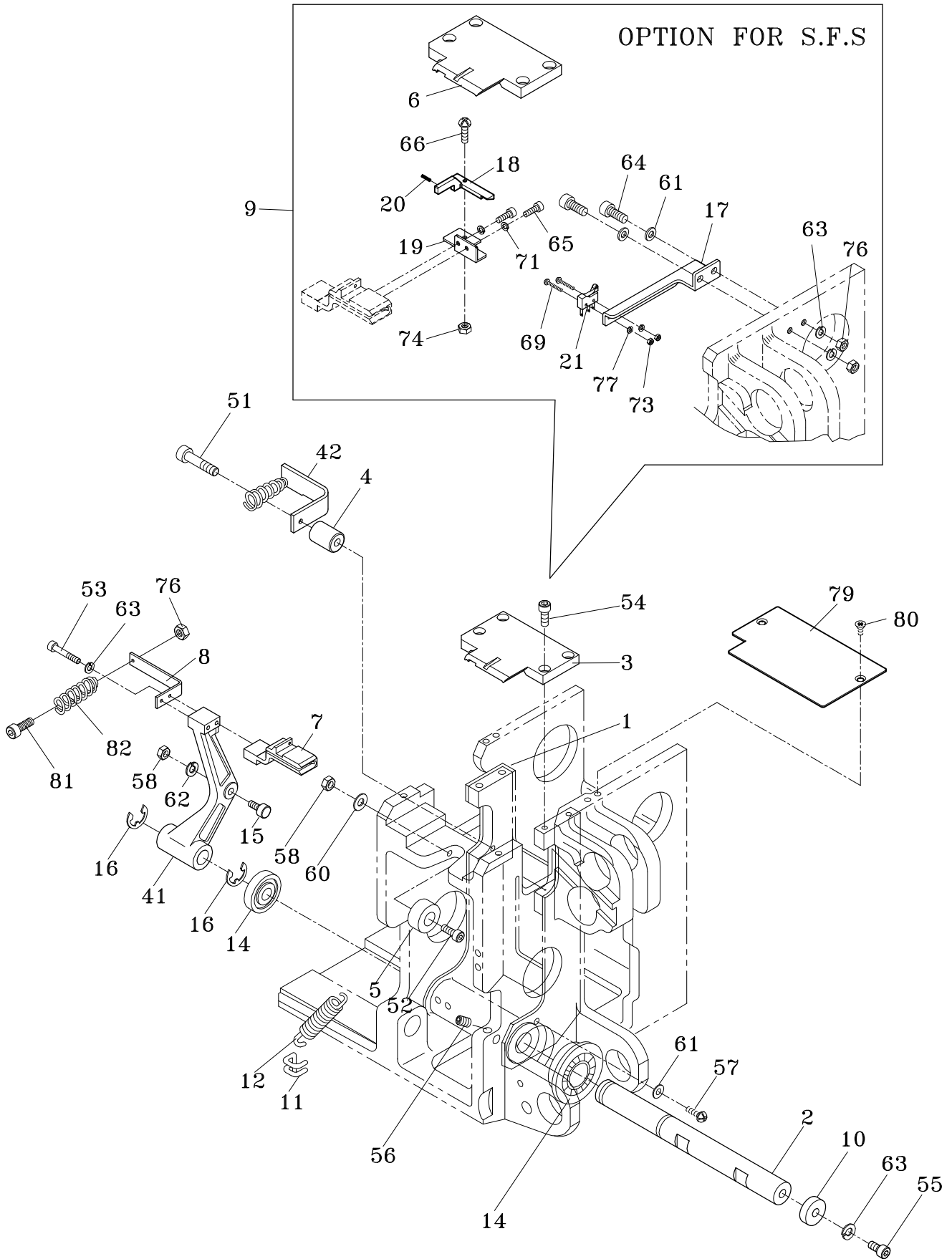


REF. NO.	PART NO.	DESCRIPTION	Q'TY	REMARKS
1	T6-1-12110	Slide Table Cam	1	
2	T6-1-12120	RH Press Cam	1	
3	T6-1-12130	Center Press Cam	1	
4	T6-1-12140	Heater Cam	1	
5	T6-1-12150	LH Press Cam	1	
6	T6-1-12160	Cam Shaft	1	
7	T6-1-12170	Cam Shaft Coupling	1	
8	T6-1-12180	Collar, 28.8x34x28.3	1	
9	T6-1-12190	Collar, 28.8x34x21	1	
10	T6-1-12210	Collar, 28.8x34x8	2	
11	T6-1-12220	Collar, 28.8x34x4.5	1	
12	T6-1-12230	Collar, 28.8x34x15	1	
13	KYB070748	Key, 7x7x48	1	
14	KYA070790	Key, 7x7x90	1	
15	T6-1-12350	Collar, 28.8x34x27.8	1	
51	HBS0620	HBS, M6x20	4	
52	HSS0810	HSS, M8x10	1	

1-2

SLIDE TABLE GROUP

T6-1-20005



**1-2****SLIDE TABLE GROUP****T6-1-20005**

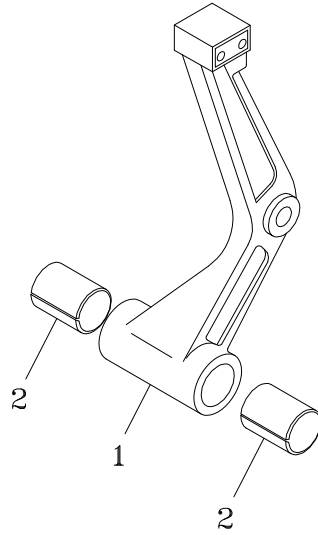
REF. NO.	PART NO.	DESCRIPTION	Q'TY	REMARKS
	T6-1-20005	Slide Table Group (For 12mm)	1	
	T6-1-20006	Slide Table Group (For 9mm)	1	
	T6-1-20007	Slide Table Group (For 15.5mm)	1	
1	T6-1-20110	Slide Table Frame	1	
2	T6-1-20120	Slide Table Frame Shaft	1	
3	T6-1-20130	Slide Table (For 12mm)	1	
	T6-1-20130S	Slide Table (For 12mm)(Stainless Steel Model)	1	
	T6-1-20133	Slide Table (For 9mm)	1	
	T6-1-20133S	Slide Table (For 9mm)(Stainless Steel Model)	1	
	T6-1-20132	Slide Table (For 15.5mm)	1	
	T6-1-20132S	Slide Table (For 15.5mm) (Stainless Steel Model)	1	
4	T6-1-20140	Slide Table Back Adjusting	1	
5	T6-1-20150	Slide Table Stopper	1	
6	T6-1-20160	Slide Table (For S.F.S, 12mm)	1	
	T6-1-20160S	Slide Table (For S.F.S, 12mm) (Stainless Steel Model)	1	
	T6-1-20161	Slide Table (For S.F.S, 9mm)	1	
	T6-1-20161S	Slide Table (For S.F.S, 9mm) (Stainless Steel Model)	1	
	T6-1-20162	Slide Table (For S.F.S, 15.5mm)	1	
	T6-1-20162S	Slide Table (For S.F.S, 15.5mm) (Stainless Steel Model)	1	
7	T6-1-20170	Strap Guide (For 12mm/9mm)	1	
	T6-1-20172	Strap Guide (For 15.5mm)	1	
8	T6-1-20180	Flap Connecting Spring Bracket	1	
9	T6-1-20194	S.F.S Ass'y (For 12mm)	1	
	T6-1-20191	S.F.S Ass'y (For 9mm)	1	
	T6-1-20192	S.F.S Ass'y (For 15.5mm)	1	
10	T6-1-20210	End Plate	1	
11	T6-1-20220	Slide Table Spring Hook	1	
12	T6-1-20230	Slide Table Tension Spring	1	
14	BR6304ZZ	Bearing, 6304ZZ	2	
15	T6-1-20250	Cam Follower, KR22xLL	1	
16	ER15	Snap Ring, E-15	2	
17	T6-1-20310	Support	1	
18	T6-1-20320	Lever	1	



**1-2****SLIDE TABLE GROUP****T6-1-20005**

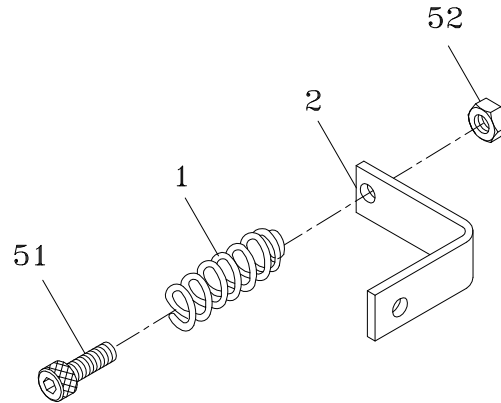
REF. NO.	PART NO.	DESCRIPTION	Q'TY	REMARKS
19	T6-1-20340	Bracket	1	
20	T6-1-20351	Spring	1	
21	T6-1-20360	Limit Switch	1	
41	T6-1-21000	Strap Guide Arm Ass'y	1	SEE PAGE 7
42	T6-1-22000	Strap Guide Spring Ass'y	1	SEE PAGE 8
51	HBS1050H	HBS, M10x50 (H)	1	
52	HBS0830	HBS, M8x30	1	
53	HBS0650H	HBS, M6x50 (H)	1	
54	HBS0620N	HBS, M6x20 (N)	4	
	HBS0620S	HBS, M6x20 (Stainless Steel Model)	4	
55	HBS0620	HBS, M6x20	1	
56	HSS0810	HSS, M8x10	4	
57	TMS0610	TMS, M6x10	2	
58	HN10	HN, M10	1	
60	PW08A	PW, M8 (A)	1	
61	PW06A	PW, M6 (A)	4	
62	SW10	SW, M10	1	
63	SW06	SW, M6	4	
64	HBS0620	HBS, M6x20	2	
65	HBS0408	HBS, M4x8	2	
66	TMS0412	TMS, M4x12	1	
69	PMS0212	PMS, M2x12	2	
71	SW04	SW, M4	2	
73	HN02	HN, M2	2	
74	NTE04	NTE, M4	1	
76	HN06	HN, M6	3	
77	SW02	SW, M2	2	
79	T6-1-20890	Cover	1	
	T6-1-20890S	Cover(Stainless Steel Model)	1	
80	FMS0510	FMS, M5x10	2	
	FMS0510S	FMS, M5x10 (Stainless Steel Model)	2	
81	HBS0615	HBS, M6x15	1	
82	T6-2-10130	LH Bandway Stop Spring	1	

1-2-1

**STRAP GUIDE ARM ASS'Y****T6-1-21000**

REF. NO.	PART NO.	DESCRIPTION	Q'TY	REMARKS
1	T6-1-21110	Strap Guide Arm	1	
2	MB2025	Metal Bush, 2025	2	

# 1-2-2 STRAP GUIDE SPRING ASS'Y T6-1-22000

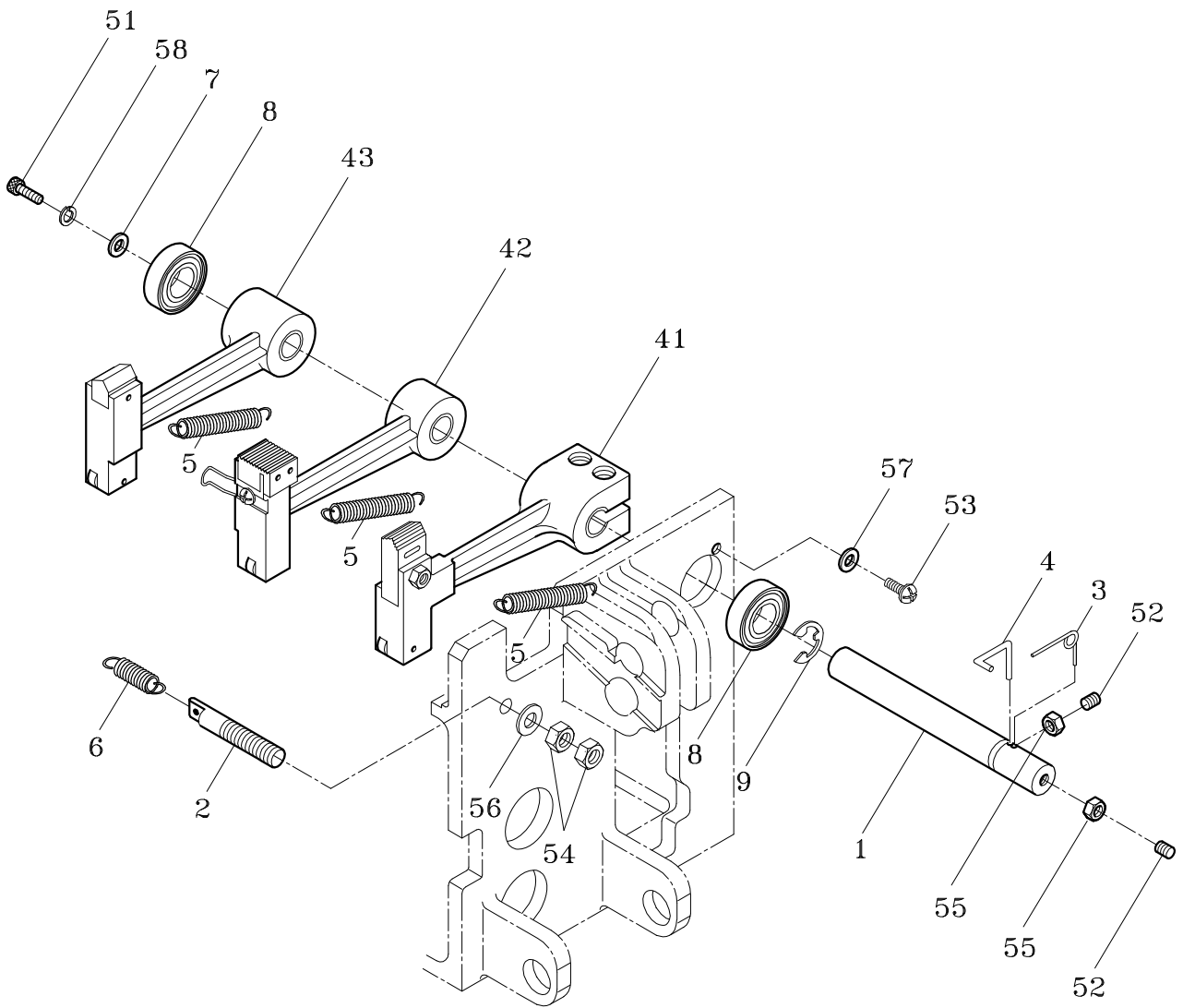


REF. NO.	PART NO.	DESCRIPTION	Q'TY	REMARKS
1	T6-1-22110	Strap Guide Spring	1	
2	T6-1-22120	Strap Guide Spring Bracket	1	
51	HBS0615	HBS, M6x15	1	
52	HN06	HN, M6	1	

1-3

PRESS GROUP

T6-1-30000



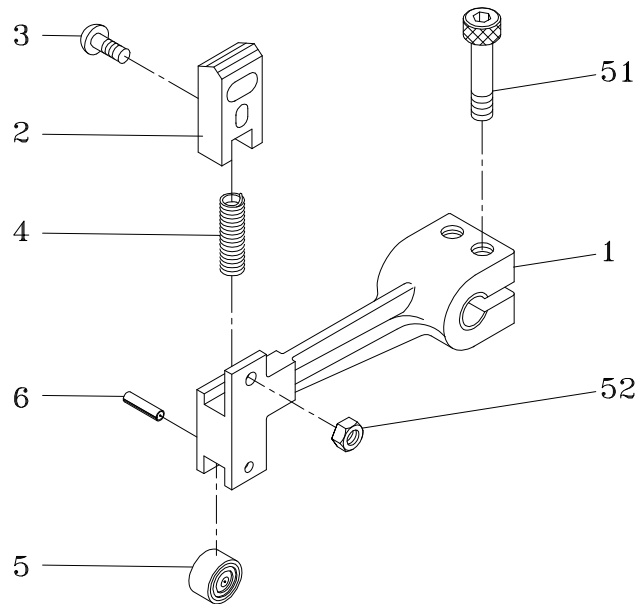
**1-3****PRESS GROUP****T6-1-30000**

REF. NO.	PART NO.	DESCRIPTION	Q'TY	REMARKS
1	T6-1-30110	Press Arm Shaft	1	
2	T6-1-30120	Cutter Tension Spring Hook	1	
3	T6-1-30130	Upper Roller Spring	1	
4	T6-1-30140	Upper Shaft Spring Adjuster	1	
5	T6-1-30150	Press Tension Spring	3	
6	T6-1-30160	Cutter Tension Spring	1	
7	T6-1-30170	Press Arm End Plate	1	
8	BR6304ZZ	Bearing, 6304ZZ	2	
9	ER15	Snap Ring, E-15	1	
41	T6-1-31000	RH, Block Arm Ass'y	1	SEE PAGE 11
42	T6-1-32000	Center Block Arm Ass'y	1	SEE PAGE 12
43	T6-1-33000	LH, Block Arm Ass'y	1	SEE PAGE 13
51	HBS0620	HBS, M6x20	1	
52	HSS0615	HSS, M6x15	2	
53	TMS0610	TMS, M6x10	2	
54	HN08	HN, M8	2	
55	HN06	HN, M6	2	
56	PW08A	PW, M8 (A)	1	
57	PW06B	PW, M6 (B)	2	
58	SW06	SW, M6	1	

1-3-1

## RH, BLOCK ARM ASS'Y

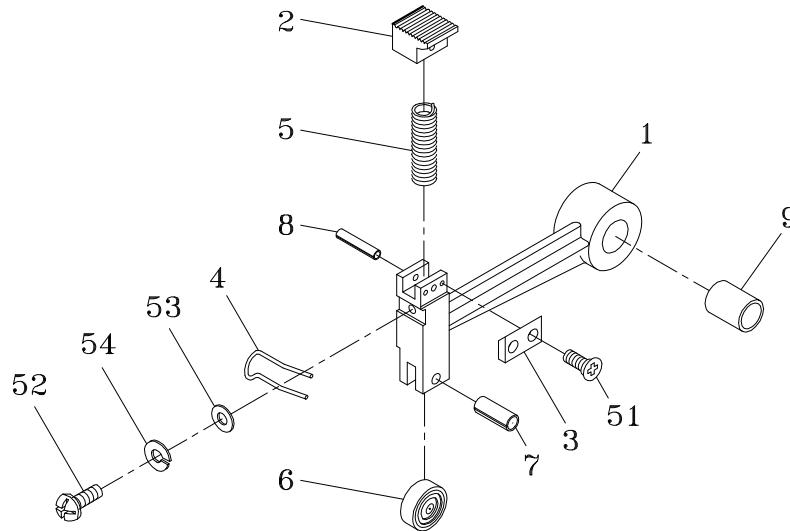
T6-1-31000



REF. NO.	PART NO.	DESCRIPTION	Q'TY	REMARKS
1	T6-1-31110	RH, Block Arm	1	
2	T6-1-31120	Upper Cutter	1	
	T6-1-31120S	Upper Cutter (Stainless Steel Model)	1	
3	T6-1-31130	Upper Cutter Pin	1	
4	T6-1-31140	RH, Block Spring	1	
5	BR628ZZ	Bearing, 628ZZ	1	
6	SP0824	Spring Pin, 8x24	1	
51	HBS0835H	HBS, M8x35 (H)	2	
52	HN10	HN, M10	1	

## 1-3-2

## CENTER BLOCK ARM ASS'Y T6-1-32000

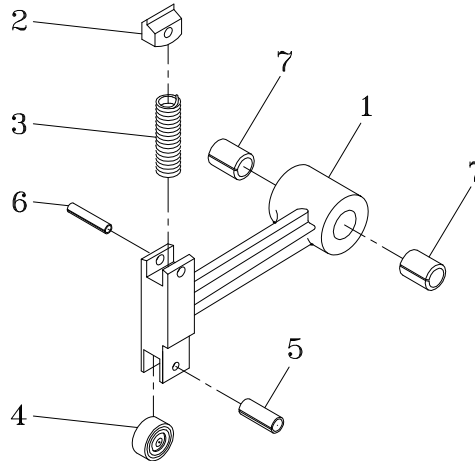


REF. NO.	PART NO.	DESCRIPTION	Q'TY	REMARKS
1	T6-1-32110	Center Block Arm	1	
2	T6-1-32120	Universal Press	1	
	T6-1-32120S	Universal Press (Stainless Steel Model)	1	
3	T6-1-32130	Lower Cutter	1	
	T6-1-32130S	Lower Cutter (Stainless Steel Model)	1	
4	T6-1-32140	Cutter Spring Hook	1	
5	T6-1-32150	LH & Center Block Spring	1	
6	BR628ZZ	Bearing, 628ZZ	1	
7	SP0820	Spring Pin, 8x20	1	
8	SP0622	Spring Pin, 6x22	1	
9	MB2025	Metal Bush, 2025	1	
51	FMS0510S	FMS, M5x10 (SUS)	2	
52	PMS0610	PMS, M6x10	1	
53	PW06A	PW, M6 (A)	1	
54	SW06	SW, M6	1	

1-3-3

## LH, BLOCK ARM ASS'Y

T6-1-33000



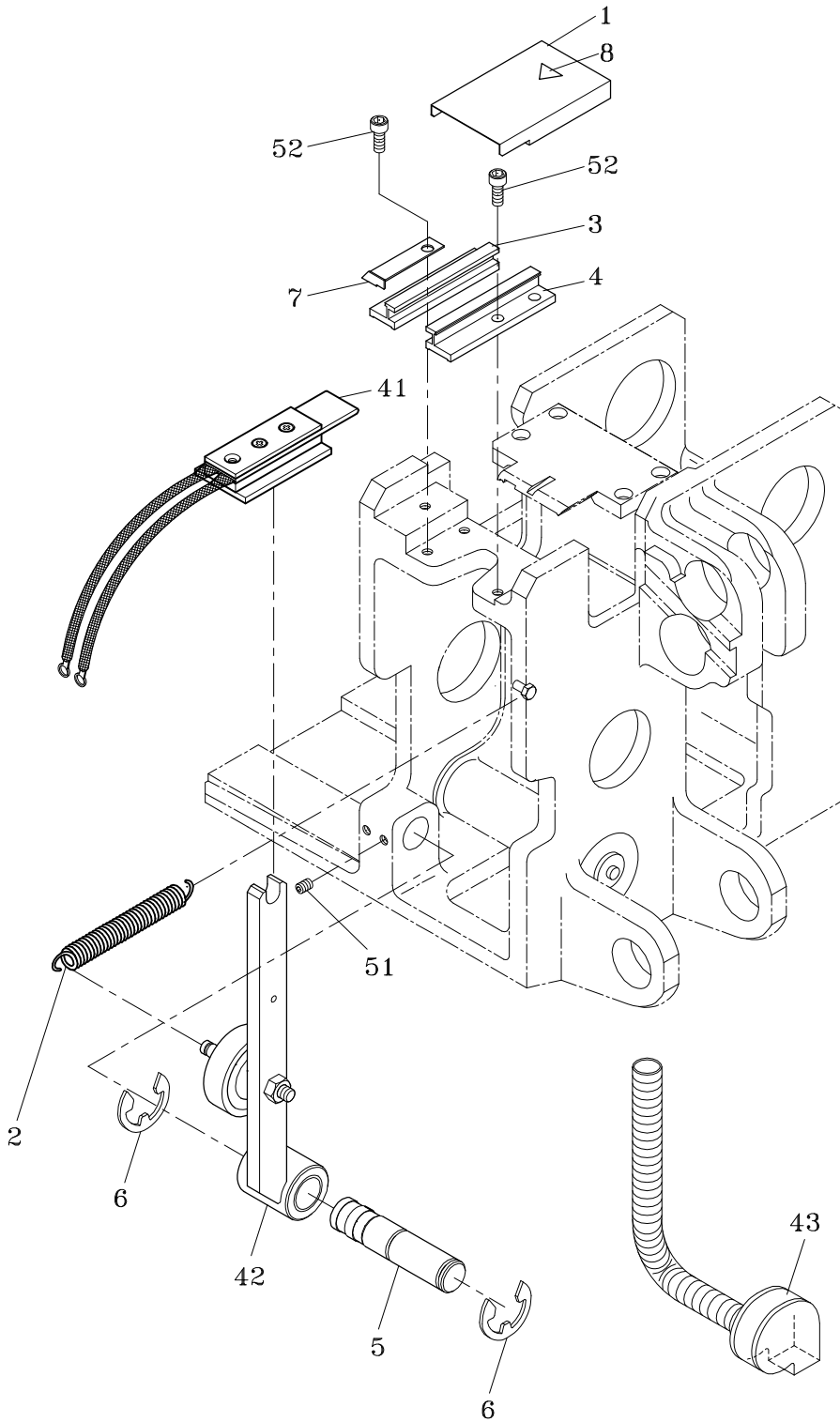
REF. NO.	PART NO.	DESCRIPTION	Q'TY	REMARKS
1	T6-1-33110	LH, Block Arm	1	
2	T6-1-33120	Jaw Left	1	
3	T6-1-32150	LH & Center Block Spring	1	
4	BR628ZZ	Bearing, 628ZZ	1	
5	SP0820	Spring Pin, 8x20	1	
6	SP0622	Spring Pin, 6x22	1	
7	MB2020	Metal Bush, 2020	2	



1-4

HEATER GROUP

T6-1-40000

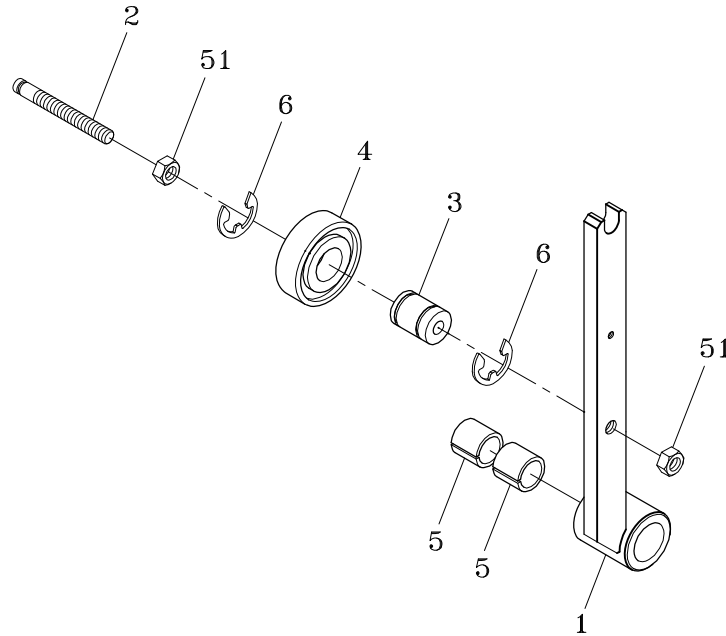


**1-4****HEATER GROUP****T6-1-40000**

REF. NO.	PART NO.	DESCRIPTION	Q'TY	REMARKS
1	T6-1-40110	Heater Cover	1	
2	T6-1-40120	Heater Crank Spring	1	
3	T6-1-40130	Heater Slider Guide (L)	1	
4	T6-1-40140	Heater Slider Guide (R)	1	
5	T6-1-40150	Heater Crank Shaft	1	
6	ER15	Snap Ring, E-15	2	
7	T6-1-40170	Heater Stopper	1	
8	LA-40002	Label	1	
41	T6-1-41000	Heater Ass'y	1	
42	T6-1-42000	Heater Crank Ass'y	1	SEE PAGE 17
43	T6-1-43000	Smoke-exhaustion system, with active carbon filter. (Option)	1	SEE PAGE 63
	T6-1-43001	Smoke-exhaustion system, without active carbon filter. (Option)	1	SEE PAGE 63
51	HSS0610	HSS, M6x10	2	
52	HBS0615	HBS, M6x15	4	



1-4-2

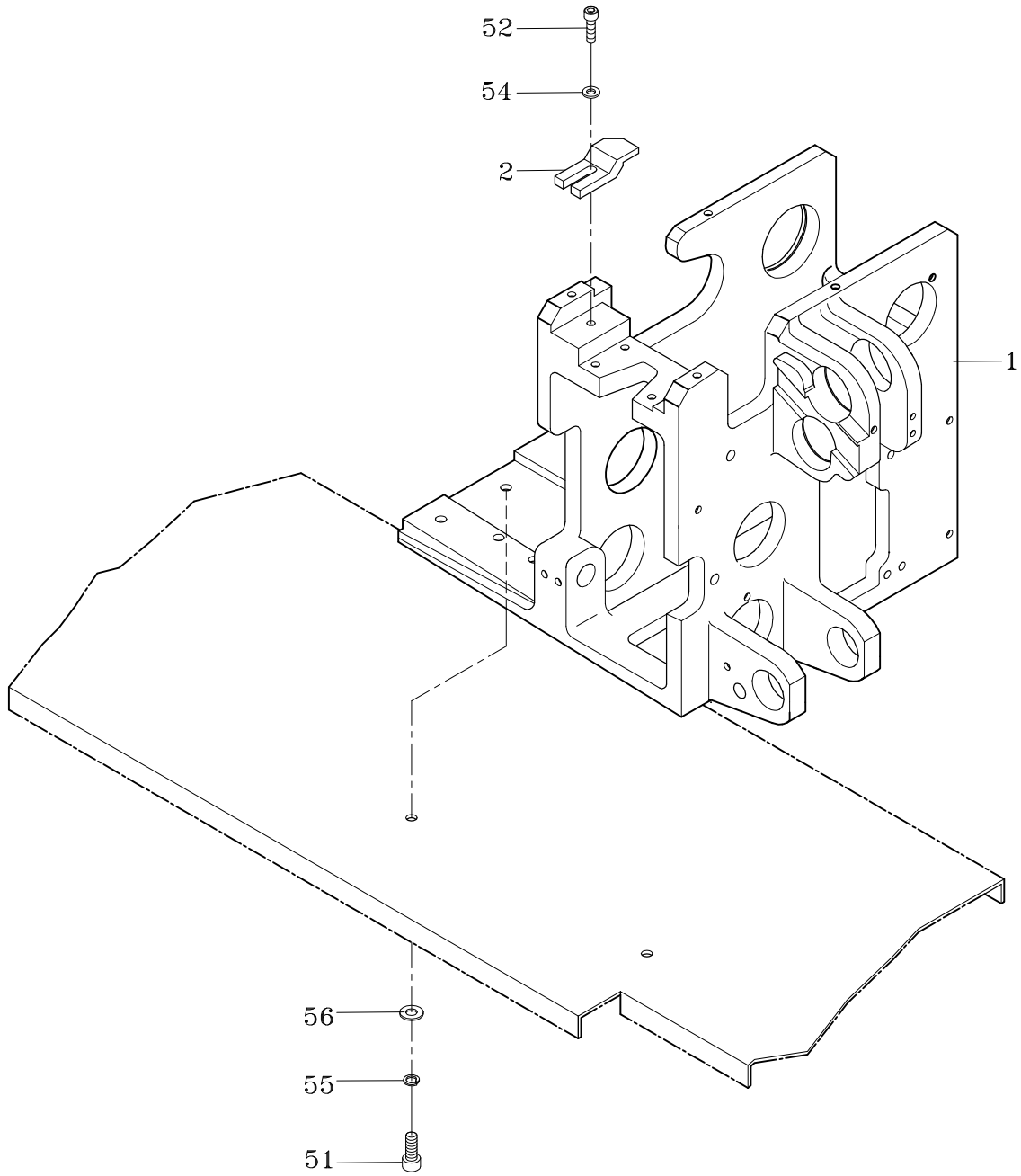
**HEATER CRANK ASS'Y****T6-1-42000**

REF. NO.	PART NO.	DESCRIPTION	Q'TY	REMARKS
1	T6-1-42110	Heater Crank	1	
2	T6-1-42120	Heater Bearing Shaft	1	
3	T6-1-42130	Heater Crank Collar	1	
4	BR6304ZZ	Bearing, 6304ZZ	1	
5	MB2015	Metal Bush, 2015	2	
6	ER15	Snap Ring, E-15	2	
51	HN08	HN, M8	2	

1-5

**STRAPPING HEAD GROUP**

**T6-1-50000**



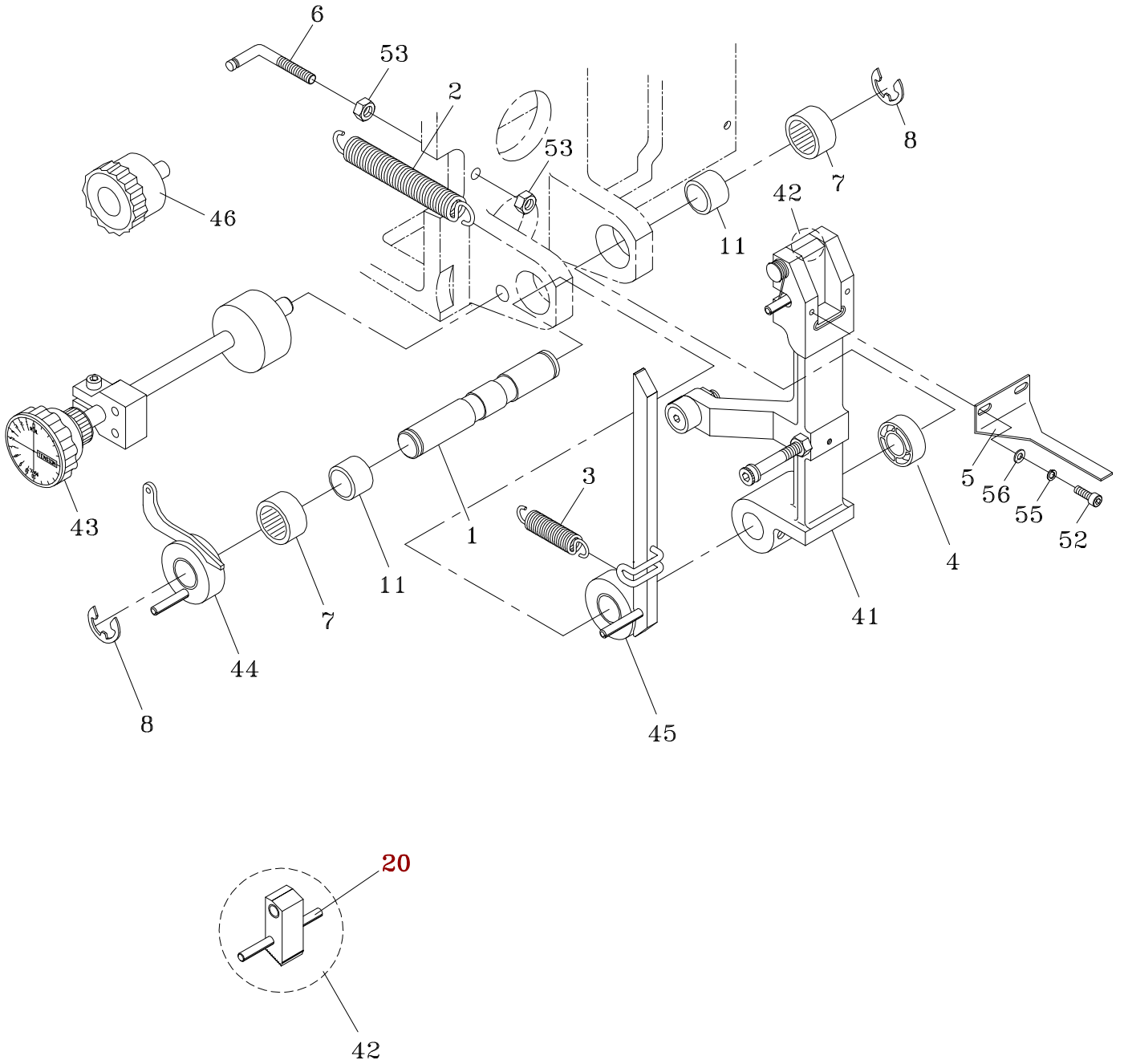
**1-5****STRAPPING HEAD GROUP****T6-1-50000**

REF. NO.	PART NO.	DESCRIPTION	Q'TY	REMARKS
1	T6-1-50100	Strapping Head Frame	1	
2	T6-1-50111	Strap Width Block	1	
51	HBS0820	HBS, M8x20	4	
52	HBS0620	HBS, M6x20	1	
54	PW06B	PW, M6 (B)	1	
55	SW08	SW, M8	4	
56	PW08C	PW, M8 (C)	4	

1-6

TENSION GROUP

T6-1-60000



**1-6****TENSION GROUP****T6-1-60000**

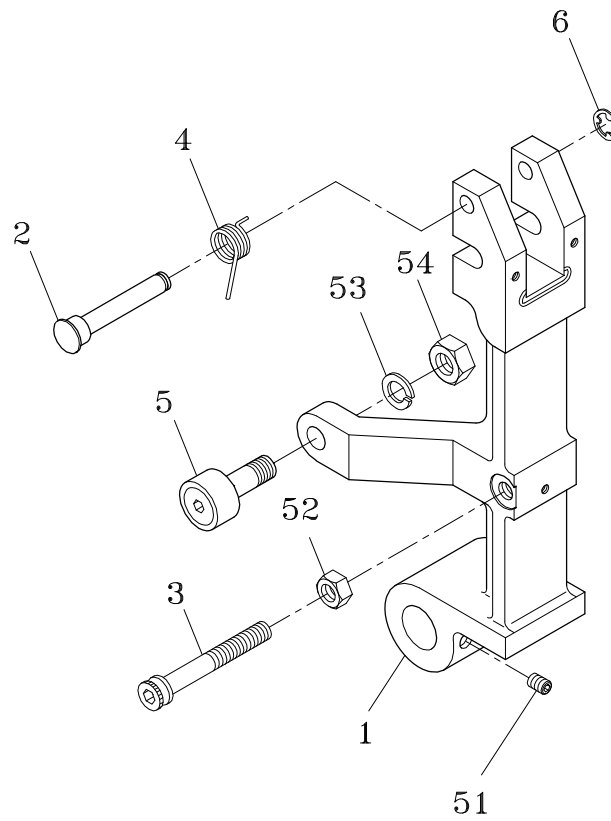
REF. NO.	PART NO.	DESCRIPTION	Q'TY	REMARKS
1	T6-1-60110	Tension Arm Shaft	1	
2	T6-1-60120	Tension Arm Spring	1	
3	T6-1-60130	Tension Adjusting Arm Spring	1	
4	T6-1-60140	Tension Arm Spacer	1	
5	T6-1-60150	Strap Cover	1	
6	T6-1-60160	Tension Arm Spring Hook L-Type	1	
7	BRHK2516	Bearing, HK2516	2	
8	ER15	Snap Ring, E-15	2	
11	BRIR202517	Bearing, IR202517	2	
20	SP0680	Spring Pin, 6x80	1	
41	T6-1-61000	Tension Arm Ass'y	1	SEE PAGE 22
42	T6-1-62000	Tension Jaw Ass'y	1	
	T6-1-62000S	Tension Jaw Ass'y (Stainless Steel Model)	1	
43	T6-1-63001	Tension Adjusting Cam Ass'y	1	SEE PAGE 24
44	T6-1-64000	Tension Adjusting Ass'y	1	SEE PAGE 25
45	T6-1-65000	Tension Adjusting Arm Ass'y	1	SEE PAGE 26
46	T6-1-63000	Tension Adjusting Cam Ass'y (Option)	1	SEE PAGE 23
52	HBS0512	HBS, M5x12	2	
53	HN08	HN, M8	2	
55	SW05	SW, M5	2	
56	PW05	PW, M5	2	



1-6-1

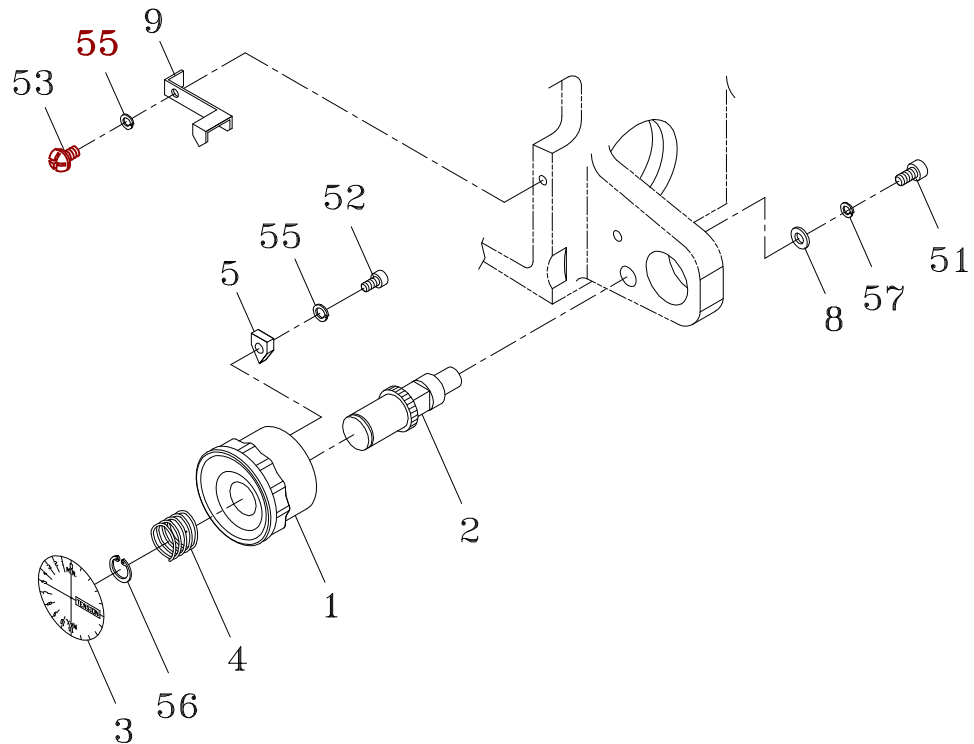
## TENSION ARM ASS'Y

T6-1-61000



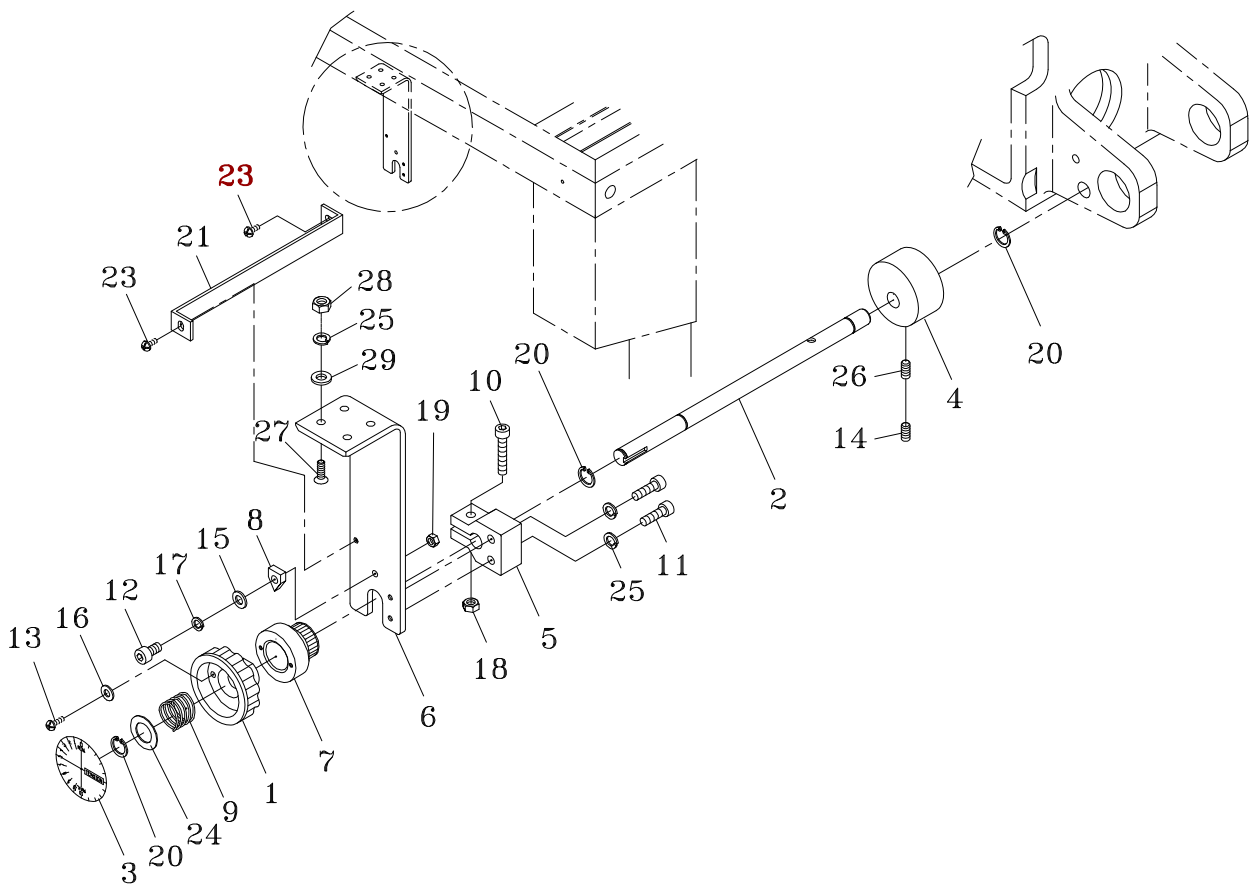
REF. NO.	PART NO.	DESCRIPTION	Q'TY	REMARKS
1	T6-1-61110	Tension Arm	1	
2	T6-1-61120	Tension Jaw Shaft	1	
3	T6-1-61130	Tension Arm Spring Hook I-Type	1	
4	T6-1-61140	Tension Jaw Spring	1	
5	T6-1-20250	Cam Follower, KR22xLL	1	
6	ER06	Snap Ring, E-6	1	
51	HSS0810	HSS, M8x10	2	
52	HN08	HN, M8	1	
53	SW10	SW, M10	1	
54	HN10	HN, M10	1	

1-6-3

**TENSION ADJUSTING CAM ASS'Y T6-1-63000**

REF. NO.	PART NO.	DESCRIPTION	Q'TY	REMARKS
1	T6-1-63110	Tension Adjusting Cam	1	
2	T6-1-63120	Tension Adjusting Shaft	1	
3	T6-1-63130	Plate (Tension Selector Knob)	1	
4	T6-1-63140	Tension Adjusting Cam Spring	1	
5	T6-1-63018	Tension Adjusting Cam Lock	1	
8	T6-1-63170	Tension ADJ Bolt Spacer	1	
9	T6-1-63180	Tension Indicated Arm	1	
51	HBS0620	HBS, M6x20	1	
52	HBS0515	HBS, M5x15	1	
53	PMS0508	PMS, M5x8	1	
55	SW05	SW, M5	2	
56	SR20	Stop Ring, S-20	1	
57	SW06	SW, M6	1	

# 1-6-3 TENSION ADJUSTING CAM ASS'Y T6-1-63001

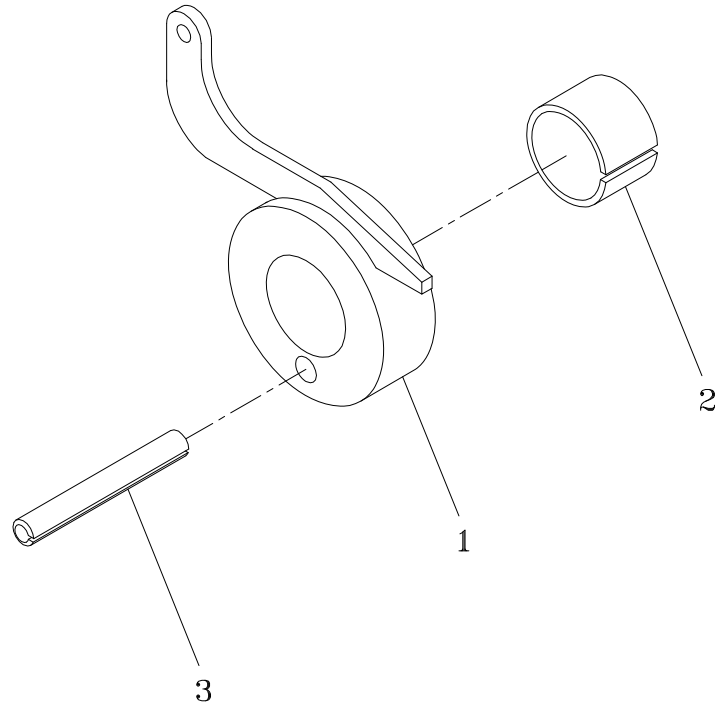


REF. NO.	PART NO.	DESCRIPTION	Q'TY	REMARKS
1	T6-1-63011	Tension Adjusting Handle	1	
2	T6-1-63012	Tension Adjusting Shaft	1	
3	T6-1-63130	Plate (Tension Selector Knob)	1	
4	T6-1-63014	Tension Adjusting Cam	1	
5	T6-1-63015	Bush	1	
6	T6-1-63016	Support	1	
	<b>T6-1-63016S</b>	<b>Support (Stainless Steel Model)</b>	1	
7	T6-1-63017	Stopper	1	
8	T6-1-63018	Tension Adjusting Cam Lock	1	
9	T6-1-63019	Spring	1	
10	HBS0625	HBS, M6x25	1	
11	HBS0620	HBS, M6x20	2	
12	HBS0516	HBS, M5x16	1	
13	PMS0412	PMS, M4x12	2	
14	HSS0608	HSS, M6x8	1	
15	PW05	PW, M5	1	
16	PW04	PW, M4	2	
17	SW05	SW, M5	1	

**1-6-3 TENSION ADJUSTING CAM ASS'Y T6-1-63001**

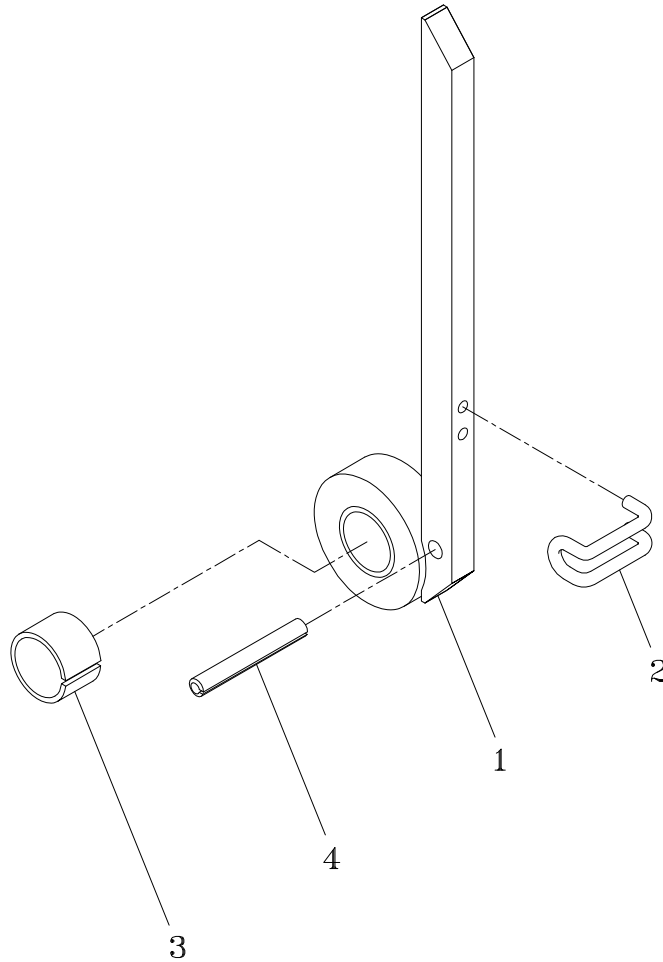
REF. NO.	PART NO.	DESCRIPTION	Q'TY	REMARKS
18	NTE06	NTE, M6	1	
19	HN05	HN, M5	1	
20	SR12	Stop Ring, S-12	3	
21	T6-1-63031	Bracket	1	
	T6-1-63031S	Bracket (Stainless Steel Model)	1	
23	<b>TMS0508</b>	<b>TMS, M5x8</b>	<b>2</b>	
24	T6-1-63034	Washer	1	
25	SW06	SW, M6	<b>6</b>	
26	HBS0610	HBS, M6x10	1	
27	<b>FMS0620S</b>	<b>FMS, M6x20 (SUS)</b>	<b>4</b>	
28	<b>HN06</b>	<b>HN, M6</b>	<b>4</b>	
29	<b>PW06A</b>	<b>PW, M6 (A)</b>	<b>4</b>	

1-6-4

**TENSION ADJUSTING ASS'Y T6-1-64000**

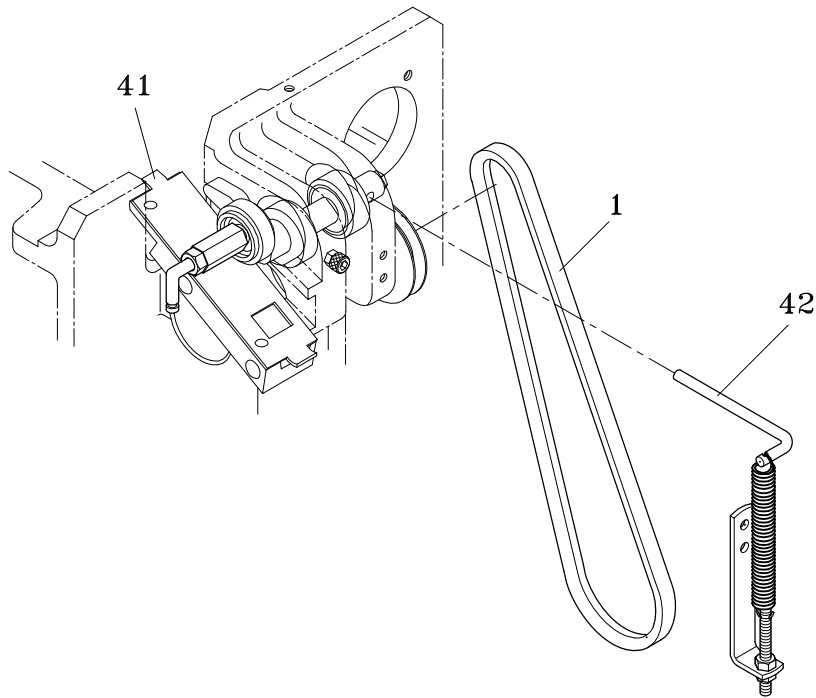
REF. NO.	PART NO.	DESCRIPTION	Q'TY	REMARKS
1	T6-1-64110	Tension Adjusting	1	
2	MB2015	Metal Bush, 2015	1	
3	SP0645	Spring Pin, 6x45	1	

# 1-6-5 TENSION ADJUSTING ARM ASS'Y T6-1-65000



REF. NO.	PART NO.	DESCRIPTION	Q'TY	REMARKS
1	T6-1-65110	Tension Adjusting Arm	1	
2	T6-1-65120	Tension Adjusting Arm Spring Hook	1	
3	MB2015	Metal Bush, 2015	1	
4	SP0645	Spring Pin, 6x45	1	

1-7

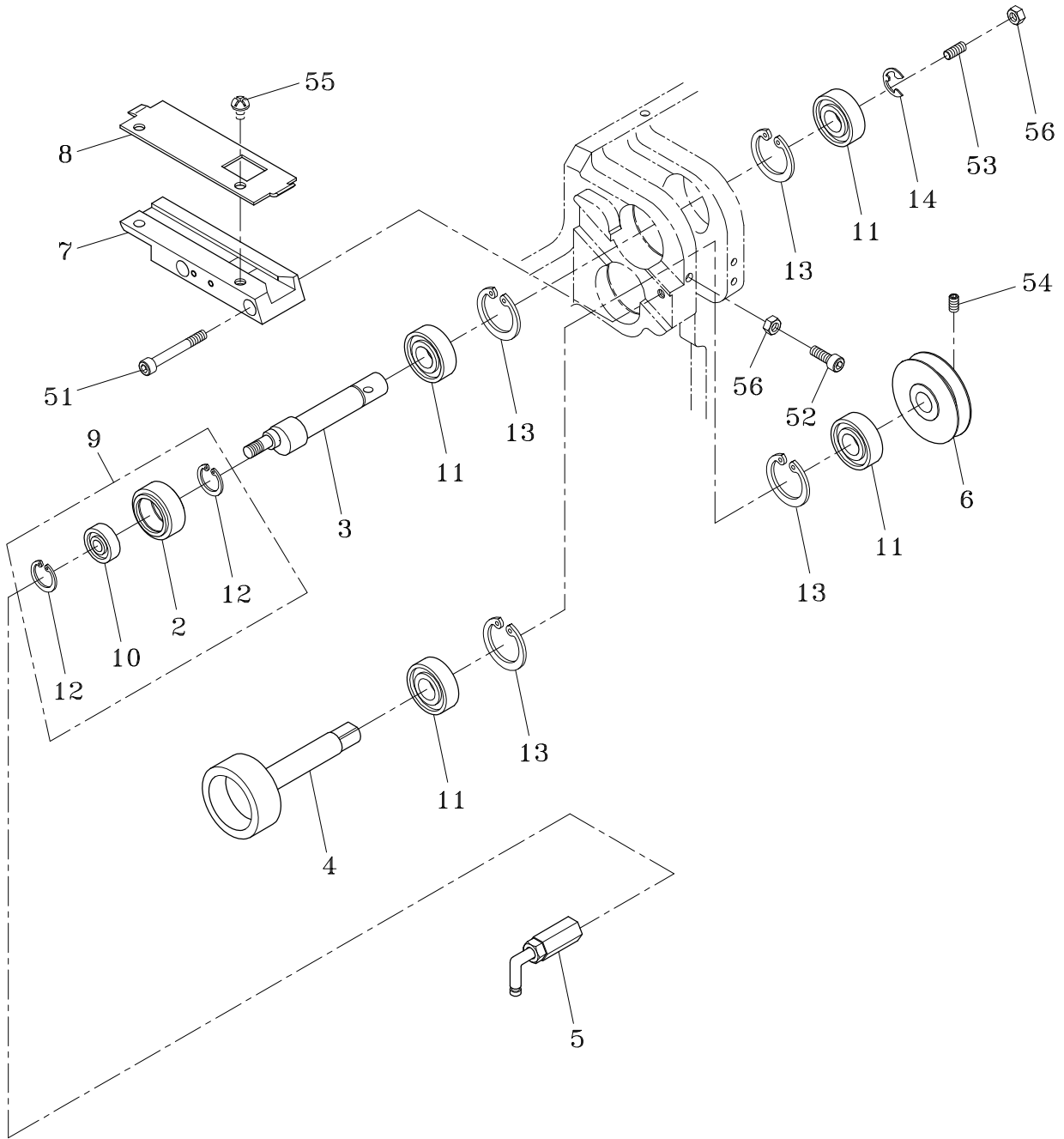
**FEED GROUP****T6-1-70010****T6-1-70011****T6-1-70012**

REF. NO.	PART NO.	DESCRIPTION	Q'TY	REMARKS
1	T6-1-70010	Feed Group (For 12mm)	1	
	T6-1-70011	Feed Group (For 9mm)	1	
	T6-1-70012	Feed Group (For 15.5mm)	1	
	T6-1-70110	V-Belt M-21	1	
41	T6-1-71000	Feed Ass'y (For 12mm)	1	SEE PAGE 28
	T6-1-71004	Feed Ass'y (For 9mm)	1	
	T6-1-71005	Feed Ass'y (For 15.5mm)	1	
42	T6-1-72000	Upper Adjusting Weight Ass'y	1	SEE PAGE 30

1-7-1

FEED ASS'Y

T6-1-71000





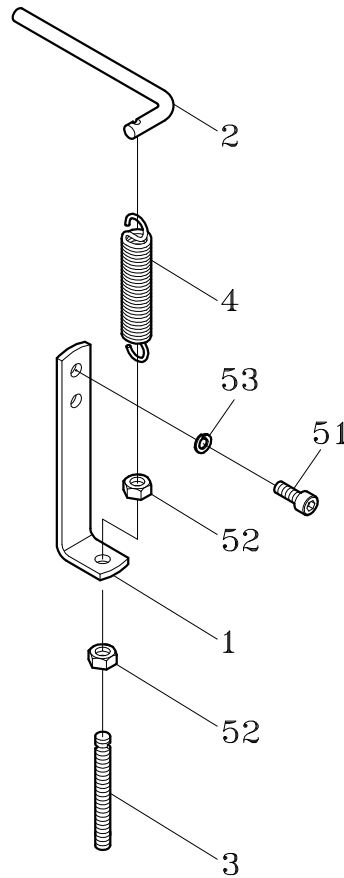
**1-7-1****FEED ASS'Y****T6-1-71000**

REF. NO.	PART NO.	DESCRIPTION	Q'TY	REMARKS	
2	T6-1-71000	Feed Ass'y (For 12mm)	1		
	T6-1-71004	Feed Ass'y (For 9mm)	1		
	T6-1-71005	<b>Feed Ass'y (For 15.5mm)</b>	1		
	T6-1-71120	Upper Feed Roller (For 12mm)	1		
	T6-1-71120S	Upper Feed Roller (For 12mm) (Stainless Steel Model)	1		
	T6-1-71121	Upper Feed Roller (For 9mm)	1		
	T6-1-71121S	Upper Feed Roller (For 9mm) (Stainless Steel Model)	1		
	T6-1-71122	<b>Upper Feed Roller (For 15.5mm)</b>	1		
	T6-1-71122S	<b>Upper Feed Roller (For 15.5mm)</b> (Stainless Steel Model)	1		
	3	T6-1-71130	Upper Feed Roller Shaft	1	
4	T6-1-71140	Feed Roller	1		
	T6-1-71140S	Feed Roller (Stainless Steel Model)	1		
5	T6-1-71150	Lever Holder	1		
6	T6-1-71160	Feed Roller Pulley	1		
7	T6-1-71170	Feed Shooter (For 12mm)	1		
	T6-1-71170S	Feed Shooter (For 12mm) (Stainless Steel Model)	1		
	T6-1-71171	Feed Shooter (For 9mm)	1		
	T6-1-71171S	Feed Shooter (For 9mm) (Stainless Steel Model)	1		
	T6-1-71172	<b>Feed Shooter (For 15.5mm)</b>	1		
	T6-1-71172S	<b>Feed Shooter (For 15.5mm)</b> (Stainless Steel Model)	1		
	8	T6-1-71180	Feed Shooter Cover	1	
		T6-1-71180S	Feed Shooter Cover (Stainless Steel Model)	1	
9	T6-1-71190	<b>Upper Feed Roller Set (For 12mm)</b>	1		
	<b>T6-1-71190S</b>	<b>Upper Feed Roller Set (For 12mm)</b> (Stainless Steel Model)	1		
	T6-1-71191	<b>Upper Feed Roller Set (For 9mm)</b>	1		
	T6-1-71191S	<b>Upper Feed Roller Set (For 9mm)</b> (Stainless Steel Model)	1		
	T6-1-71192	<b>Upper Feed Roller Set (For 15.5mm)</b>	1		
	<b>T6-1-71192S</b>	<b>Upper Feed Roller Set (For 15.5mm)</b> (Stainless Steel Model)	1		

**1-7-1****FEED ASS'Y****T6-1-71000**

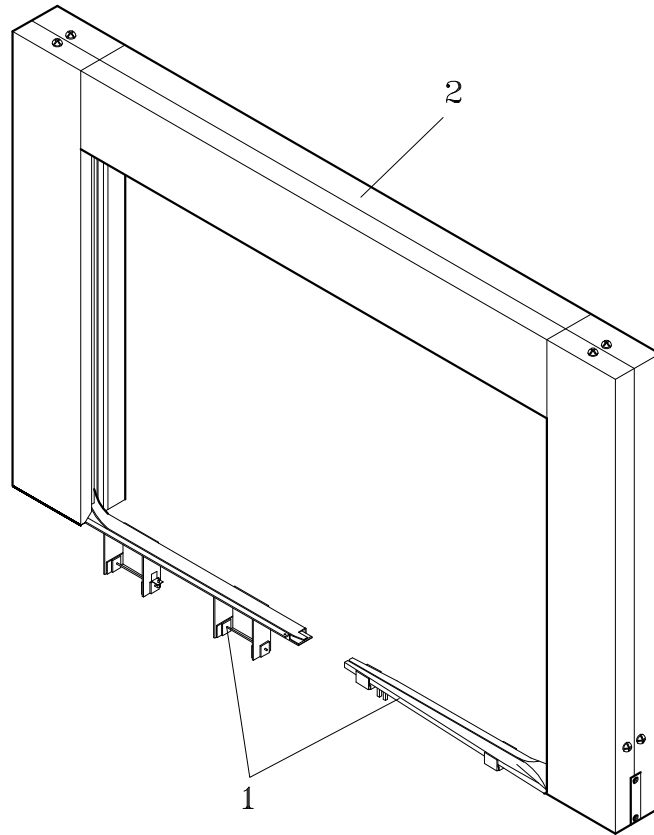
REF. NO.	PART NO.	DESCRIPTION	Q'TY	REMARKS
10	BR628ZZ	Bearing, 628ZZ	1	
11	BR6202ZZ	Bearing, 6202ZZ	4	
12	RR24	Snap Ring, H-24	2	
13	RR35	Snap Ring, H-35	4	
14	ER12	Snap Ring, E-12	1	
51	HBS0645H	HBS, M6x45 (H)	2	
	HBS0645HS	HBS, M6x45 (H)(Stainless Steel Model)	2	
52	HBS0615	HBS, M6x15	1	
53	HSS0615	HSS, M6x15	1	
54	HSS0610	HSS, M6x10	2	
55	PMS0610	PMS, M6x10	2	
	PMS0610S	PMS, M6x10 (Stainless Steel Model)	2	
56	HN06	HN, M6	2	

# 1-7-2 UPPER ADJUSTING WEIGHT ASS'Y T6-1-72000



REF. NO.	PART NO.	DESCRIPTION	Q'TY	REMARKS
1	T6-1-72110	Upper Adjusting Base	1	
2	T6-1-72120	Upper Adjusting Spring Hook	1	
3	T6-1-72130	Upper Adjusting Spring Rod	1	
4	T6-1-72140	Spring	1	
51	HBS0512	HBS, M5x12	2	
52	HN06	HN, M6	2	
53	SW05	SW, M5	2	

2

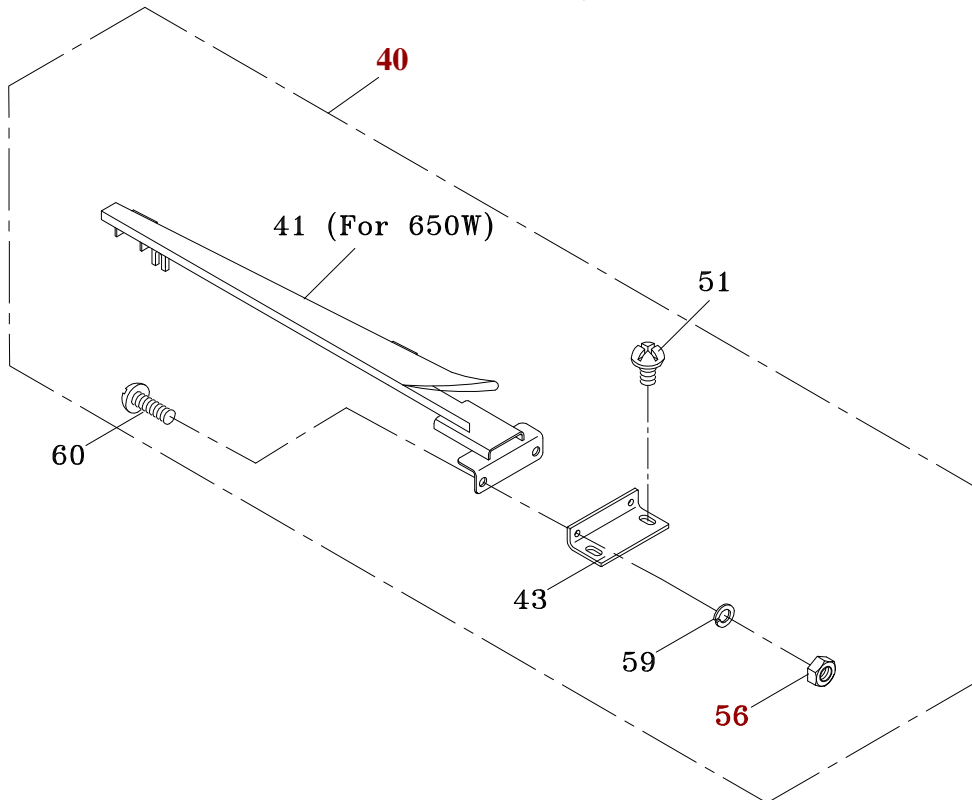
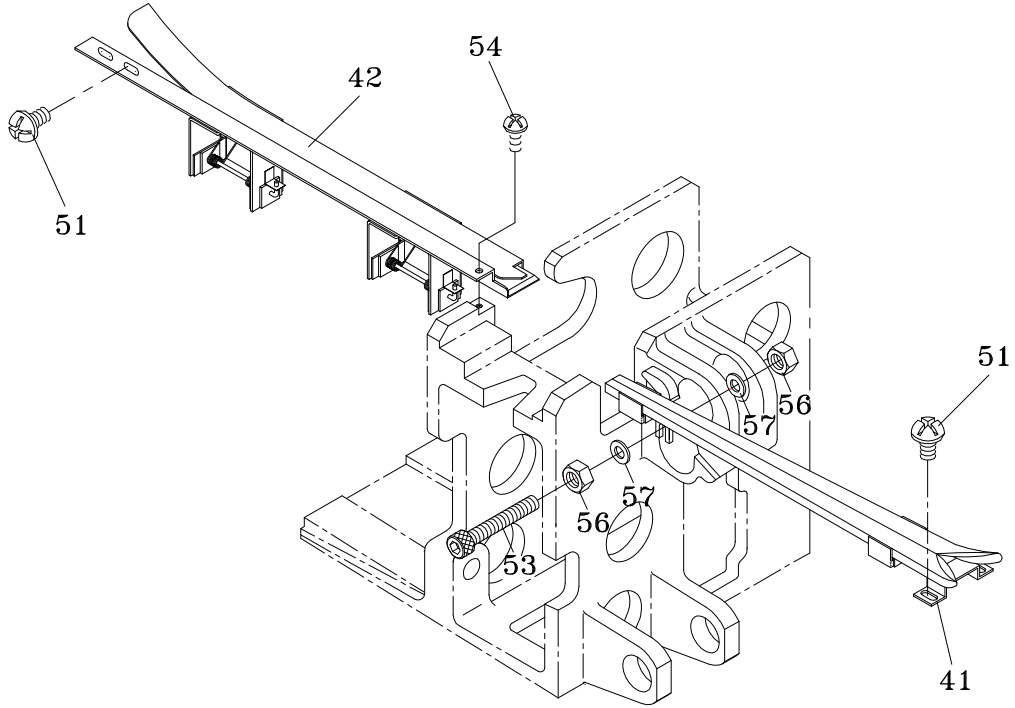
**BANDWAY UNIT****T6-2-90008**

REF. NO.	PART NO.	DESCRIPTION	Q'TY	REMARKS
1	T6-2-10000	Bandway Group (For 12mm)	1	SEE PAGE 32
	T6-2-10004	Bandway Group (For 9mm)	1	
	T6-2-10010	<b>Bandway Group (For 15.5mm)</b>	1	
2	T6-2-20000	Chute Arch Group	1	SEE PAGE 35

2-1

BANDWAY GROUP

T6-2-10000



**2-1****BANDWAY GROUP****T6-2-10000**

REF. NO.	PART NO.	DESCRIPTION	Q'TY	REMARKS
	T6-2-10000	Bandway Group (For 12mm)	1	
	T6-2-10004	Bandway Group (For 9mm)	1	
	T6-2-10010	Bandway Group (For 15.5mm)		
40	T6-2-10100	RH Bandway Ass'y (Only 650W, 12mm)	1	
	T6-2-10101	RH Bandway Ass'y (Only 650W, 9mm)	1	
	T6-2-10102	RH Bandway Ass'y (Only 650W, 15.5mm)	1	
41	T6-2-11000	RH Bandway Ass'y (For 12mm)	1	SEE PAGE 33
	T6-2-11001	RH Bandway Ass'y (For 9mm)	1	
	T6-2-11002	RH Bandway Ass'y (For 15.5mm)	1	
	T6-2-11010	RH Bandway Ass'y (Only 650W, 12mm)	1	
	T6-2-11011	RH Bandway Ass'y (Only 650W, 9mm)	1	
	T6-2-11012	RH Bandway Ass'y (Only 650W, 15.5mm)	1	
42	T6-2-12000	LH Bandway Ass'y (For 850W, 12mm /15.5mm)	1	SEE PAGE 34
	T6-2-12001	LH Bandway Ass'y (For 850W, 9mm)	1	
	T6-2-12010	LH Bandway Ass'y (For 650W, 12mm /15.5mm)	1	
	T6-2-12011	LH Bandway Ass'y (For 650W, 9mm)	1	
	T6-2-12020	LH Bandway Ass'y (For 1050W, 12mm /15.5mm)	1	
	T6-2-12021	LH Bandway Ass'y (For 1050W, 9mm)	1	
	T6-2-12030	LH Bandway Ass'y (For 1250W, 12mm /15.5mm)	1	
	T6-2-12031	LH Bandway Ass'y (For 1250W, 9mm)	1	
	T6-2-12040	LH Bandway Ass'y (For 1450W, 12mm /15.5mm)	1	
	T6-2-12041	LH Bandway Ass'y (For 1450W, 9mm)	1	
	T6-2-12050	LH Bandway Ass'y (For 1650W, 12mm /15.5mm)	1	
	T6-2-12051	LH Bandway Ass'y (For 1650W, 9mm)	1	
	T6-2-12060	LH Bandway Ass'y (For 1850W, 12mm /15.5mm)	1	
	T6-2-12061	LH Bandway Ass'y (For 1850W, 9mm)	1	
	T6-2-12070	LH Bandway Ass'y (For 2050W, 12mm /15.5mm)	1	
	T6-2-12071	LH Bandway Ass'y (For 2050W, 9mm)	1	

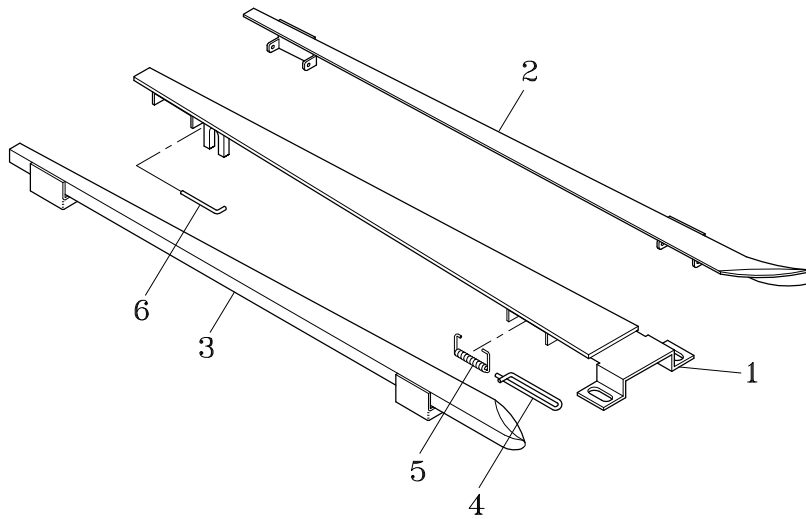
**2-1****BANDWAY GROUP****T6-2-10000**

REF. NO.	PART NO.	DESCRIPTION	Q'TY	REMARKS
	T6-2-12080	LH Bandway Ass'y (For 2250W, 12mm /15.5mm)	1	
	T6-2-12081	LH Bandway Ass'y (For 2250W, 9mm)	1	
43	T6-2-10670	Bracket (For 650W)	1	
51	TMS0608	TMS, M6x8	4	
53	HBS0650	HBS, M6x50	1	
54	TMS0508	TMS, M5x8	1	
56	HN06	HN, M6	2	
		HN, M6 (Only 650W)	4	
57	PW06A	PW, M6(A)	2	
59	SW06	SW, M6 (For 650W)	2	
	SW06S	SW, M6 (Stainless Steel Model) (For 650W)	2	
60	TMS0612	TMS, M6x12 (For 650W)	2	
	TMS0612S	TMS, M6x12 (Stainless Steel Model) (For 650W)	2	

2-1-1

## RH RANDWAY ASS'Y

T6-2-11000



REF. NO.	PART NO.	DESCRIPTION	Q'TY	REMARKS
	T6-2-11000	RH Bandway Ass'y (For 12mm)	1	
	T6-2-11001	RH Bandway Ass'y (For 9mm)	1	
	T6-2-11002	<b>RH Bandway Ass'y (For 15.5mm)</b>	1	
	T6-2-11010	RH Bandway Ass'y (Only 650W, 12mm)	1	
	T6-2-11011	RH Bandway Ass'y (Only 650W, 9mm)	1	
	T6-2-11012	<b>RH Bandway Ass'y (Only 650W, 15.5mm)</b>	1	
1	T6-2-11110	RH Bandway (For 12mm)	1	
	T6-2-11111	RH Bandway (For 9mm)	1	
	T6-2-11114	<b>RH Bandway (For 15.5mm)</b>	1	
	T6-2-11112	RH Bandway (For 650W, 12mm)	1	
	T6-2-11113	RH Bandway (For 650W, 9mm)	1	
	T6-2-11115	<b>RH Bandway (For 650W, 15.5mm)</b>	1	
2	T6-2-11120	RH Bandway Rear Flap (For 12mm)	1	
	T6-2-11121	RH Bandway Rear Flap (For 9mm)	1	
	T6-2-11124	<b>RH Bandway Rear Flap (For 15.5mm)</b>	1	
	T6-2-11122	<b>RH Bandway Rear Flap (Only 650W, 12mm)</b>	1	
	T6-2-11123	RH Bandway Rear Flap (Only 650W, 9mm)	1	
	T6-2-11125	<b>RH Bandway Rear Flap (Only 650W, 15.5mm)</b>	1	
3	T6-2-11130	RH Bandway Front Flap (For 12mm)	1	
	T6-2-11131	RH Bandway Front Flap (For 9mm)	1	
	T6-2-11134	RH Bandway Front Flap (For 15.5mm)	1	
	T6-2-11132	<b>RH Bandway Front Flap (Only 650W, 12mm)</b>	1	
	<b>T6-2-11135</b>	<b>RH Bandway Front Flap (Only 650W, 15.5mm)</b>	1	



**2-1-1****RH BANDWAY ASS'Y****T6-2-11000**

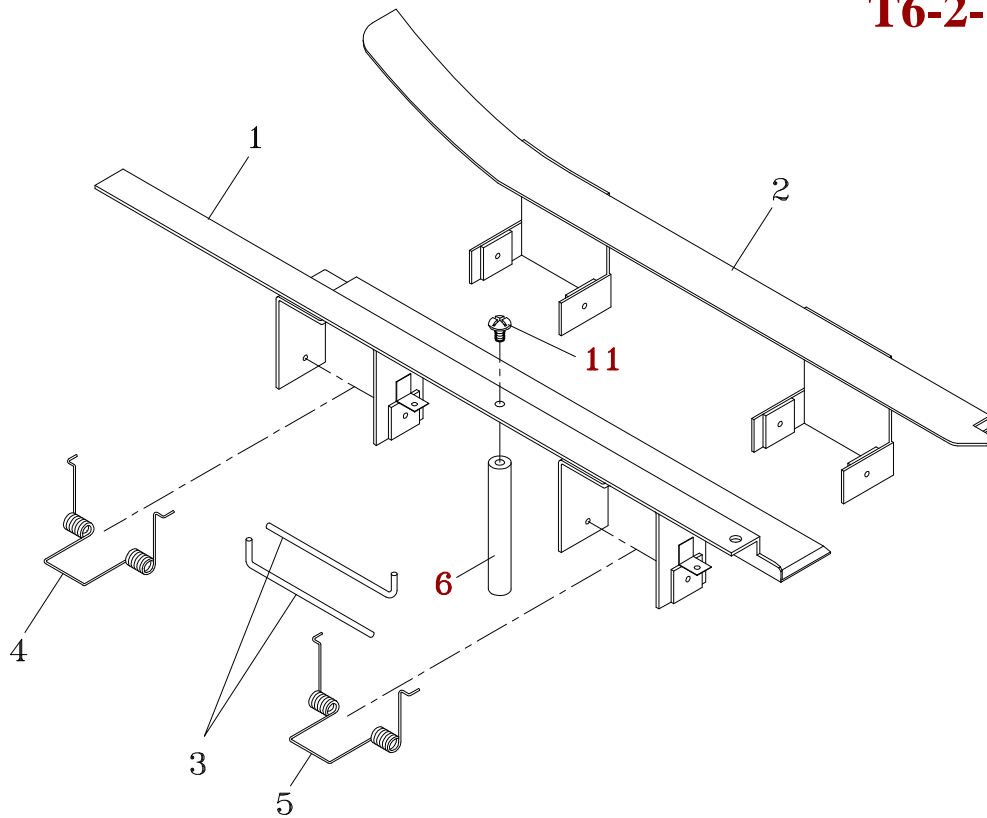
REF. NO.	PART NO.	DESCRIPTION	Q'TY	REMARKS
4	T6-2-11140	RH Bandway Flap Pin (Rear)	2	
		RH Bandway Flap Pin (Rear) (Only 650W, 9mm)	1	
5	T6-2-11150	RH Bandway Flap Spring	2	
		RH Bandway Flap Spring (Only 650W, 9mm)	1	
6	T6-2-11160	RH Bandway Flap Pin (Front)	2	
		RH Bandway Flap Pin (Front) (Only 650W, 9mm)	1	

2-1-2

## LH BANDWAY ASS'Y

T6-2-12000

T6-2-12001



REF. NO.	PART NO.	DESCRIPTION	Q'TY	REMARKS
1	T6-2-12000	LH Bandway Ass'y (12mm/15.5mm)		
	T6-2-12001	LH Bandway Ass'y (9mm)		
	T6-2-12110	LH Bandway (For 850W, 12mm/15.5mm)	1	
	T6-2-12200	LH Bandway (For 850W, 9mm)	1	
	T6-2-12111	LH Bandway (For 650W, 12mm/15.5mm)	1	
	T6-2-12201	LH Bandway (For 650W, 9mm)	1	
	T6-2-12112	LH Bandway (For 1050W, 12mm/15.5mm)	1	
	T6-2-12202	LH Bandway (For 1050W, 9mm)	1	
	T6-2-12113	LH Bandway (For 1250W, 12mm/15.5mm)	1	
	T6-2-12203	LH Bandway (For 1250W, 9mm)	1	
	T6-2-12114	LH Bandway (For 1450W, 12mm/15.5mm)	1	
	T6-2-12204	LH Bandway (For 1450W, 9mm)	1	
	T6-2-12115	LH Bandway (For 1650W, 12mm/15.5mm)	1	
	T6-2-12205	LH Bandway (For 1650W, 9mm)	1	
	T6-2-12116	LH Bandway (For 1850W, 12mm/15.5mm)	1	
	T6-2-12206	LH Bandway (For 1850W, 9mm)	1	
	T6-2-12117	LH Bandway (For 2050W, 12mm/15.5mm)	1	
	T6-2-12207	LH Bandway (For 2050W, 9mm)	1	
	T6-2-12118	LH Bandway (For 2250W, 12mm/15.5mm)	1	
	T6-2-12208	LH Bandway (For 2250W, 9mm)	1	

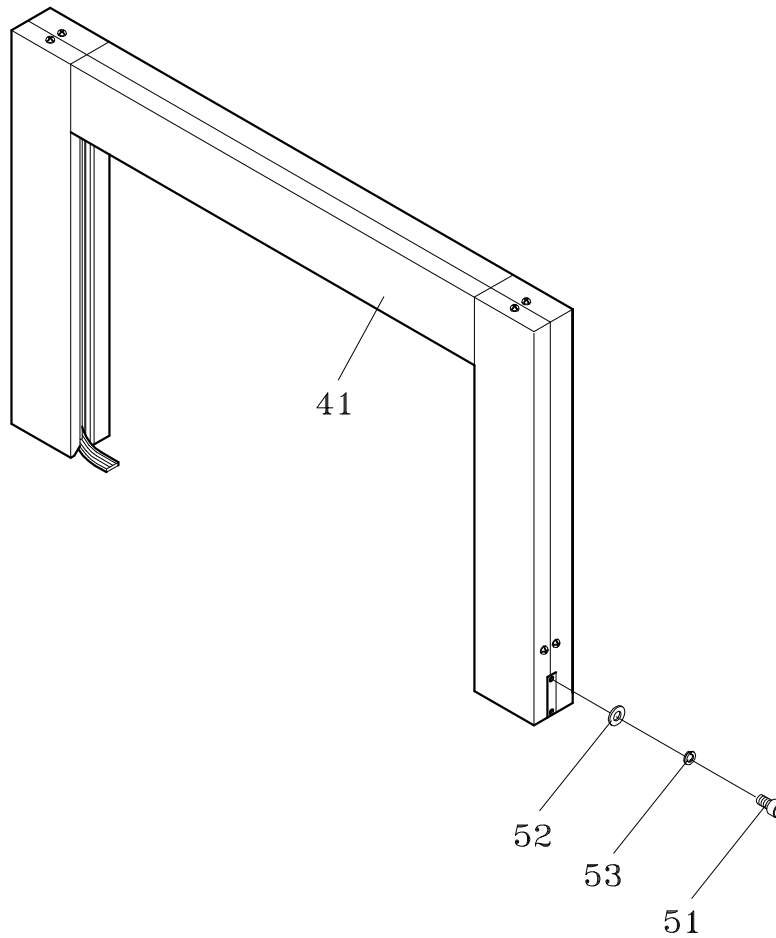
**2-1-2****LH BANDWAY ASS'Y****T6-2-12000****T6-2-12001**

REF. NO.	PART NO.	DESCRIPTION	Q'TY	REMARKS
2	T6-2-12120	LH Bandway Flap (For 850W, 12mm/15.5mm)	1	
	T6-2-12210	LH Bandway Flap (For 850W, 9mm)	1	
	T6-2-12121	LH Bandway Flap (For 650W, 12mm/15.5mm)	1	
	T6-2-12211	LH Bandway Flap (For 650W, 9mm)	1	
	T6-2-12122	LH Bandway Flap (For 1050W, 12mm/15.5mm)	1	
	T6-2-12212	LH Bandway Flap (For 1050W, 9mm)	1	
	T6-2-12123	LH Bandway Flap (For 1250W, 12mm/15.5mm)	1	
	T6-2-12213	LH Bandway Flap (For 1250W, 9mm)	1	
	T6-2-12124	LH Bandway Flap (For 1450W, 12mm/15.5mm)	1	
	T6-2-12214	LH Bandway Flap (For 1450W, 9mm)	1	
	T6-2-12125	LH Bandway Flap (For 1650W, 12mm/15.5mm)	1	
	T6-2-12215	LH Bandway Flap (For 1650W, 9mm)	1	
	T6-2-12126	LH Bandway Flap (For 1850W, 12mm/15.5mm)	1	
	T6-2-12216	LH Bandway Flap (For 1850W, 9mm)	1	
	T6-2-12127	LH Bandway Flap (For 2050W, 12mm)	1	
	T6-2-12217	LH Bandway Flap (For 2050W, 9mm)	1	
	T6-2-12128	LH Bandway Flap (For 2250W, 12mm/15.5mm)	1	
	T6-2-12218	LH Bandway Flap (For 2250W, 9mm)	1	
3	T6-2-12130	LH Bandway Flap Pin (For 650W~1050W)	2	
		LH Bandway Flap Pin (For 1250W~1450W)	3	
		LH Bandway Flap Pin (For 1650W~2250W)	4	
4	T6-2-12140	LH Bandway Flap Spring (For 650~1050W)	1	
		LH Bandway Flap Spring (For 1250~1450W)	2	
		LH Bandway Flap Spring (For 1650~2250W)	3	
5	T6-2-12150	LH Bandway Flap Spring	1	
6	T6-2-12180	Pillar (For 1450W~1850W)	1	
		Pillar (For 2050W~2250W)	2	
11	TMS0508	TMS, M5x8 (For 1450W~1850W)	1	
		TMS, M5x8 (For 2050W~2250W)	2	

2-2

## CHUTE ARCH GROUP

T6-2-20000

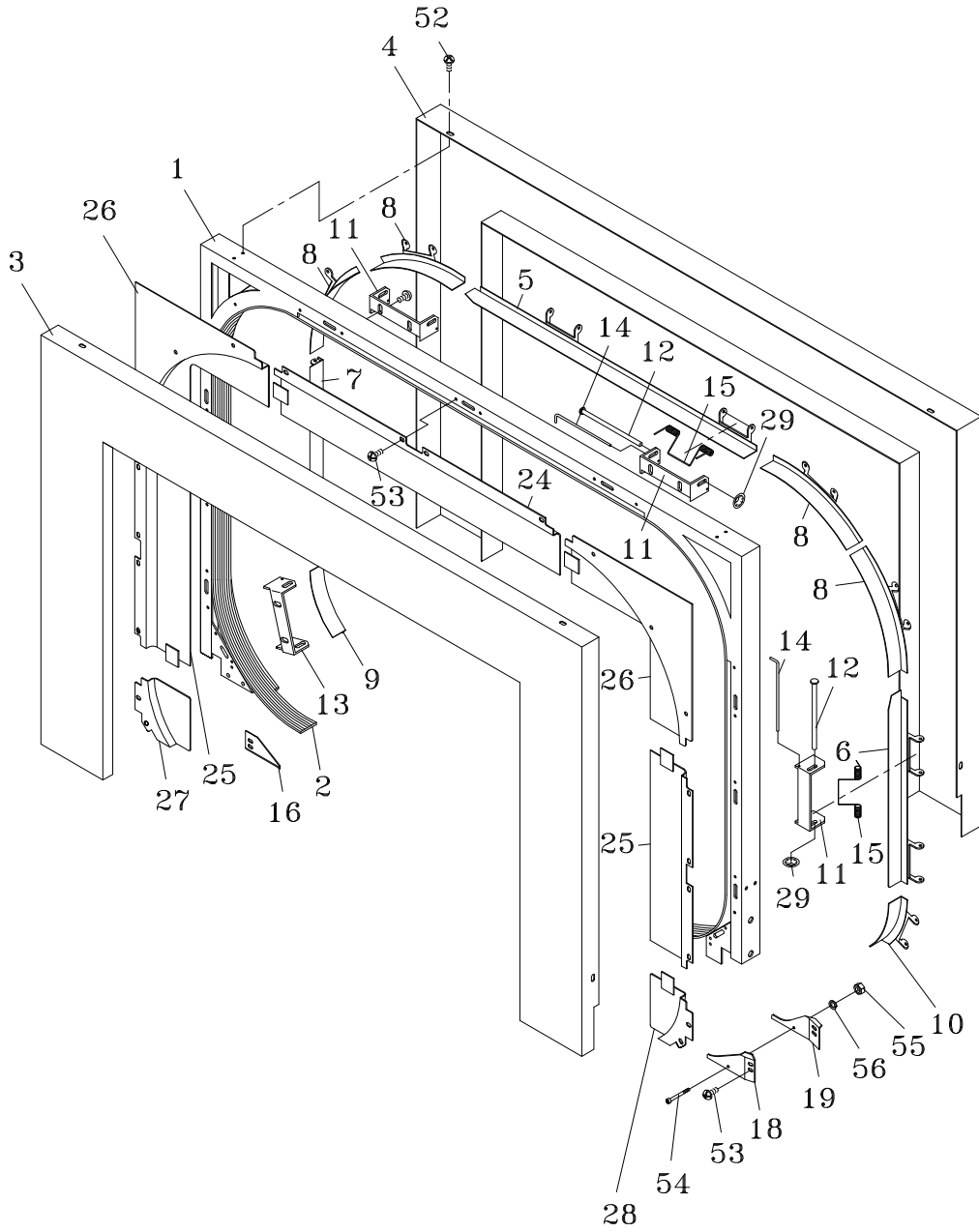


REF. NO.	PART NO.	DESCRIPTION	Q'TY	REMARKS
41	T6-2-21000	Arch Ass'y	1	SEE PAGE 36
51	HBS0816	HBS, M8x16	4	
	HBS0816S	HBS, M8x16 (Stainless Steel Model)	4	
52	PW08A	PW, M8 (A)	4	
	PW08AS	PW, M8 (A) (Stainless Steel Model)	4	
53	SW08	SW, M8	4	
	SW08S	SW, M8 (Stainless Steel Model)	4	

2-2-1

ARCH ASS'Y

T6-2-21000



**2-2-1****ARCH ASS'Y****T6-2-21000**

REF. NO.	PART NO.	DESCRIPTION	Q'TY	REMARKS
1	T6-2-20110	Arch Frame (For 850W x 600H)	1	
	T6-2-20110S	Arch Frame (Stainless Steel Model) (For 850W x 600H)	1	
2	T6-2-20120	Arch Bandway (For 850W x 600H)	1	
3	T6-2-20130	Arch Cover, Front (For 850W x 600H)	1	
	T6-2-20130S	Arch Cover, Front (Stainless Steel Model) (For 850W x 600H)	1	
4	T6-2-20140	Arch Cover, Rear (For 850W x 600H)	1	
	T6-2-20140S	Arch Cover, Rear (Stainless Steel Model) (For 850W x 600H)	1	
5	T6-2-20150	Upper Guide Rail (For 850W)	1	
	T6-2-20150S	Upper Guide Rail (Stainless Steel Model) (For 850W)	1	
	T6-2-20151	Upper Guide Rail (For 1050W)	1	
	T6-2-20151S	Upper Guide Rail (Stainless Steel Model) (For 1050W)	1	
	T6-2-20152	Upper Guide Rail (For 1250W)	1	
	T6-2-20152S	Upper Guide Rail (Stainless Steel Model) (For 1250W)	1	
	T6-2-20153	Upper Guide Rail (For 1450W)	1	
	T6-2-20153S	Upper Guide Rail (Stainless Steel Model) (For 1450W)	1	
	T6-2-20154	Upper Guide Rail (For 1650W)	1	
	T6-2-20154S	Upper Guide Rail (Stainless Steel Model) (For 1650W)	1	
	T6-2-20155	Upper Guide Rail (For 1850W)	1	
	T6-2-20155S	Upper Guide Rail (Stainless Steel Model)(For 1850W)	1	
	T6-2-20156	Upper Guide Rail (For 2050W)	1	
	T6-2-20156S	Upper Guide Rail (Stainless Steel Model)(For 2050W)	1	
	T6-2-20157	Upper Guide Rail (For 2250W)	1	
	T6-2-20157S	Upper Guide Rail (Stainless Steel Model)(For 2250W)	1	
	T6-2-20159	Upper Guide Rail (For 650W)	1	
	T6-2-20159S	Upper Guide Rail (Stainless Steel Model)(For 650W)	1	

**2-2-1****ARCH ASS'Y****T6-2-21000**

REF. NO.	PART NO.	DESCRIPTION	Q'TY	REMARKS	
6	T6-2-20160	RH Side Guide Rail (For 600H)	1		
	T6-2-20160S	RH Side Guide Rail (Stainless Steel Model)(For 600H)	1		
	T6-2-20161	RH Side Guide Rail (For 800H)	1		
	T6-2-20161S	RH Side Guide Rail (Stainless Steel Model)(For 800H)	1		
	T6-2-20162	RH Side Guide Rail (For 1000H)	1		
	T6-2-20162S	RH Side Guide Rail (Stainless Steel Model)(For 1000H)	1		
	T6-2-20163	RH Side Guide Rail (For 1200H)	1		
	T6-2-20163S	RH Side Guide Rail (Stainless Steel Model)(For 1200H)	1		
	T6-2-20164	RH Side Guide Rail (For 1400H)	1		
	T6-2-20164S	RH Side Guide Rail (Stainless Steel Model)(For 1400H)	1		
	T6-2-20169	RH Side Guide Rail (For 400H)	1		
	T6-2-20169S	RH Side Guide Rail (Stainless Steel Model)(For 400H)	1		
	7	T6-2-20170	LH Side Guide Rail (For 600H)	1	
		T6-2-20170S	LH Side Guide Rail (Stainless Steel Model)(For 600H)	1	
T6-2-20171		LH Side Guide Rail (For 800H)	1		
T6-2-20171S		LH Side Guide Rail (Stainless Steel Model)(For 800H)	1		
T6-2-20172		LH Side Guide Rail (For 1000H)	1		
T6-2-20172S		LH Side Guide Rail (Stainless Steel Model)(For 1000H)	1		
T6-2-20173		LH Side Guide Rail (For 1200H)	1		
T6-2-20173S		LH Side Guide Rail (Stainless Steel Model)(For 1200H)	1		
T6-2-20179		LH Side Guide Rail (For 400H)	1		
T6-2-20179S		LH Side Guide Rail (Stainless Steel Model)(For 400H)	1		

2-2-1

## ARCH ASS'Y

T6-2-21000

REF. NO.	PART NO.	DESCRIPTION	Q'TY	REMARKS
8	T6-2-20180	Corner Guide Rail, Upper	4	
	T6-2-20180S	Corner Guide Rail, Upper (Stainless Steel Model)	4	
9	T6-2-20190	Corner Guide Rail, Lower (LH)	1	
	T6-2-20190S	Corner Guide Rail, Lower (LH) (Stainless Steel Model)	1	
10	T6-2-20200	Corner Guide Rail, Lower (RH)	1	
	T6-2-20200S	Corner Guide Rail, Lower (RH) (Stainless Steel Model)	1	
11	T6-2-20210	Guide Rail Hinge (1) (For 850Wx600H)	11	
12	T6-2-20220	K-Type Guide Rail Hinge Shaft (For 850Wx600H)	12	
13	T6-2-20230	Guide Rail Hinge (2)	1	
14	T6-2-20240	Guide Rail Hinge Shaft (For 850Wx600H)	11	
15	T6-2-21250	Arch Guide Rail Spring (For 850Wx600H)	11	
16	T6-2-21260	Guiding Angle, LH Front	1	
	T6-2-21260S	Guiding Angle, LH Front (Stainless Steel Model)	1	
18	T6-2-21280	Guiding Angle, RH Front	1	
	T6-2-21280S	Guiding Angle, RH Front (Stainless Steel Model)	1	
19	T6-2-21290	Guiding Angle, RH Rear	1	
	T6-2-21290S	Guiding Angle, RH Rear (Stainless Steel Model)	1	
24	T6-2-20340	Back Guide Plate, Upper (For 850W)	1	
	T6-2-20340S	Back Guide Plate, Upper (Stainless Steel Model)(For 850W)	1	
	T6-2-20341	Back Guide Plate, Upper (For 1050W)	1	
	T6-2-20341S	Back Guide Plate, Upper (Stainless Steel Model)(For 1050W)	1	
	T6-2-20342	Back Guide Plate, Upper (For 1250W)	1	
	T6-2-20342S	Back Guide Plate, Upper (Stainless Steel Model)(For 1250W)	1	
	T6-2-20343	Back Guide Plate, Upper (For 1450W)	1	
	T6-2-20343S	Back Guide Plate, Upper (Stainless Steel Model)(For 1450W)	1	



**2-2-1****ARCH ASS'Y****T6-2-21000**

REF. NO.	PART NO.	DESCRIPTION	Q'TY	REMARKS
	T6-2-20344	Back Guide Plate, Upper (For 1650W)	1	
	T6-2-20344S	Back Guide Plate, Upper (Stainless Steel Model)(For 1650W)	1	
	T6-2-20345	Back Guide Plate, Upper (For 1850W)	1	
	T6-2-20345S	Back Guide Plate, Upper (Stainless Steel Model)(For 1850W)	1	
	T6-2-20346	Back Guide Plate, Upper (For 2050W)	1	
	T6-2-20346S	Back Guide Plate, Upper (Stainless Steel Model)(For 2050W)	1	
	T6-2-20347	Back Guide Plate, Upper (For 2250W)	1	
	T6-2-20347S	Back Guide Plate, Upper (Stainless Steel Model)(For 2250W)	1	
	T6-2-20349	Back Guide Plate, Upper (For 650W)	1	
	T6-2-20349S	Back Guide Plate, Upper (Stainless Steel Model)(For 650W)	1	
25	T6-2-21350	Back Guide Plate, Side (For 600H)	2	
	T6-2-21350S	Back Guide Plate, Side (Stainless Steel Model)(For 600H)	2	
	T6-2-21351	Back Guide Plate, Side (For 800H)	2	
	T6-2-21351S	Back Guide Plate, Side (Stainless Steel Model)(For 800H)	2	
	T6-2-21352	Back Guide Plate, Side (For 1000H)	2	
	T6-2-21352S	Back Guide Plate, Side (Stainless Steel Model)(For 1000H)	2	
	T6-2-21353	Back Guide Plate, Side (For 1200H)	2	
	T6-2-21353S	Back Guide Plate, Side (Stainless Steel Model)(For 1200H)	2	
	T6-2-21354	Back Guide Plate, Side (For 1400H)	2	
	T6-2-21354S	Back Guide Plate, Side (Stainless Steel Model)(For 1400H)	2	
	T6-2-21359	Back Guide Plate, Side (For 400H)	2	
	T6-2-21359S	Back Guide Plate, Side (Stainless Steel Model)(For 400H)	2	
26	T6-2-21360	Back Guide Plate, Corner Upper	2	
	T6-2-21360S	Back Guide Plate, Corner Upper (Stainless Steel Model)	2	

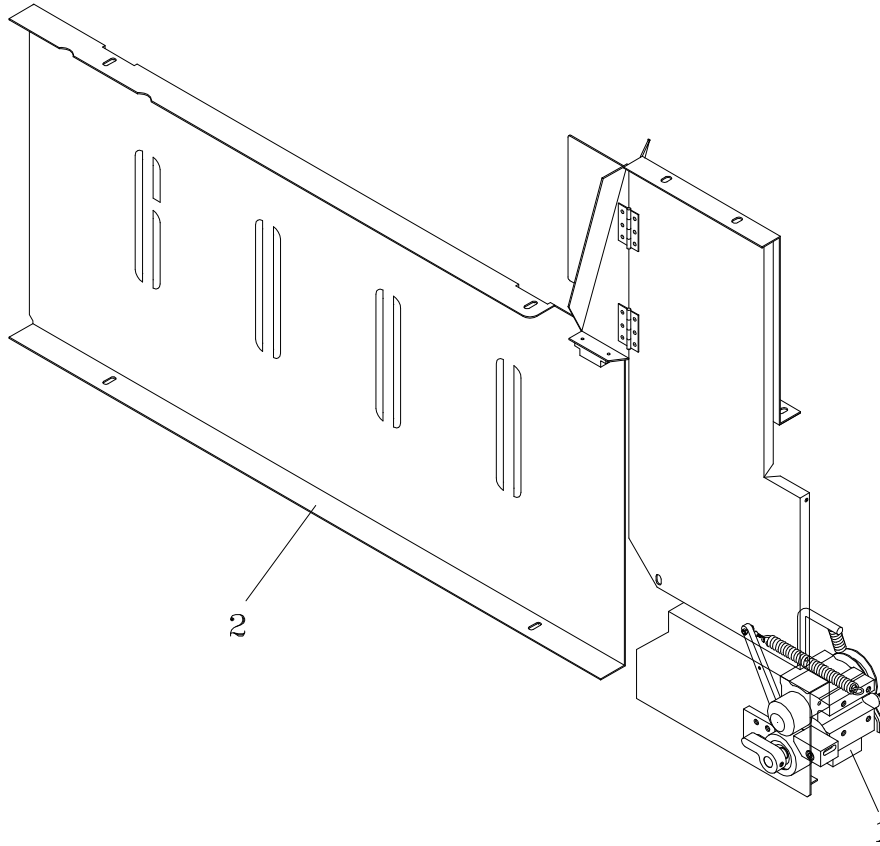
**2-2-1****ARCH ASS'Y****T6-2-21000**

REF. NO.	PART NO.	DESCRIPTION	Q'TY	REMARKS
27	T6-2-21370	Back Guide Plate, LH Lower	1	
	T6-2-21370S	Back Guide Plate, LH Lower (Stainless Steel Model)	1	
28	T6-2-21380	Back Guide Plate, RH Lower	1	
	T6-2-21380S	Back Guide Plate, RH Lower (Stainless Steel Model)	1	
29	PN04	PN, $\phi$ 4 (For 850Wx600H)	12	
	PN04S	PN, $\phi$ 4 (Stainless Steel Model) (For 850Wx600H)	12	
		PN, $\phi$ 4 (SUS)(Option)(For 850Wx600H)	12	
52	TMS0508S	TMS, M5x8 (SUS)	8	
53	TMS0408	TMS, M4x8 (For 850Wx600H)	72	
	TMS0408S	TMS, M4x8 (Stainless Steel Model) (For 850Wx600H)	72	
54	HBS0440H	HBS, M4x40 (H)	1	
	HBS0440HS	HBS, M4x40 (H)(Stainless Steel Model)	1	
55	HN04	HN, M4	1	
	HN04S	HN, M4 (Stainless Steel Model)	1	
56	SW04	SW, M4	1	
	SW04S	SW, M4 (Stainless Steel Model)	1	

3

## ACCUMULATOR UNIT

T6-3-90004

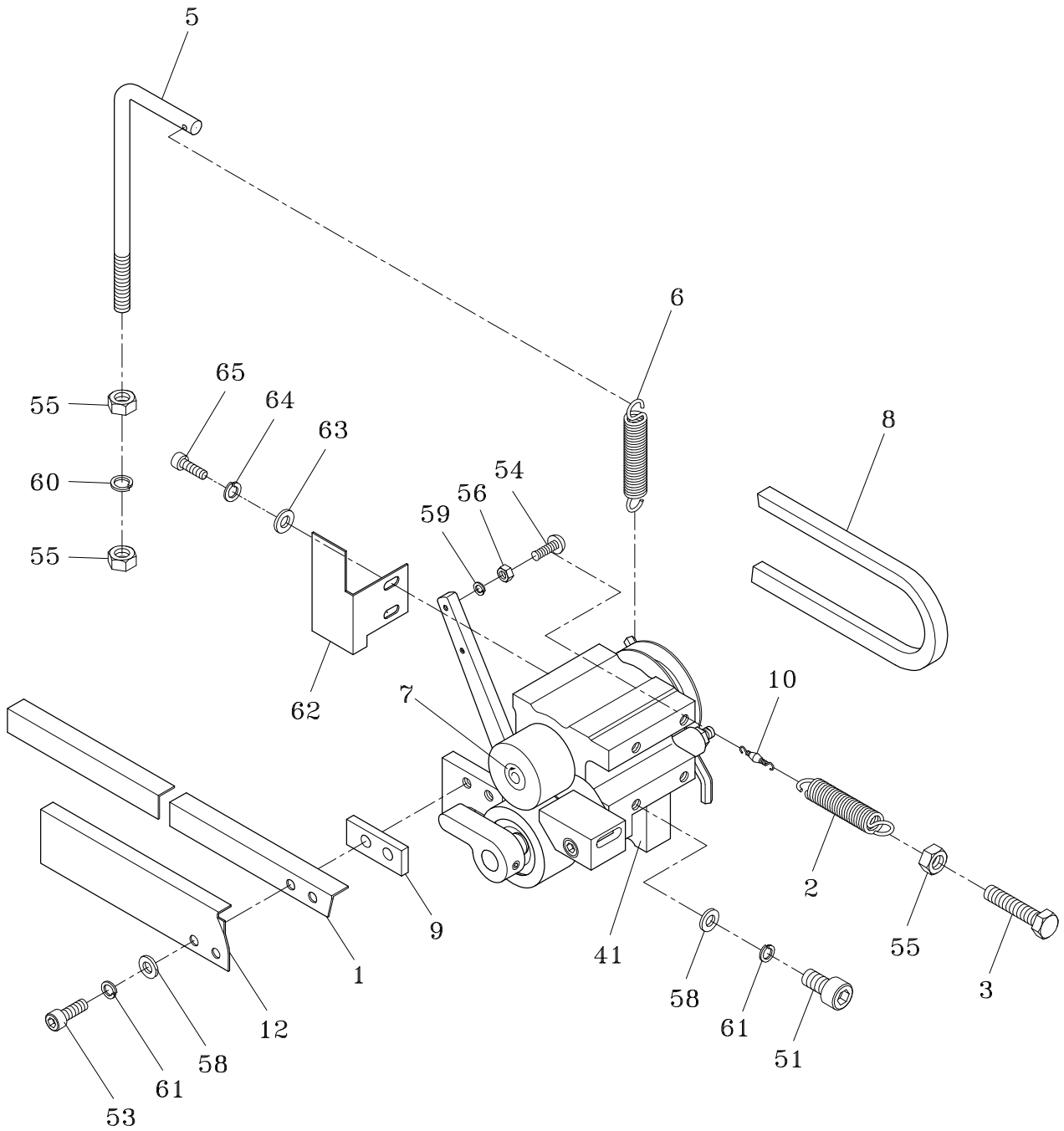


REF. NO.	PART NO.	DESCRIPTION	Q'TY	REMARKS
1	T6-3-90004	Accumulator Unit (For 12mm)	1	SEE PAGE 39
	T6-3-90005	Accumulator Unit (For 15.5mm)	1	
	T6-3-90008	Accumulator Unit (For 9mm)	1	
	T6-3-10000	Accumulator Group (For 12mm)	1	
	T6-3-10003	Accumulator Group (For 9mm)	1	
	T6-3-10004	Accumulator Group (For 15.5mm)	1	
2	T6-3-20000	Accumulator Box Group (For 12mm)	1	SEE PAGE 43
	T6-3-20003	Accumulator Box Group (For 9mm)	1	
	T6-3-20004	Accumulator Box Group (For 15.5mm)	1	

3-1

ACCUMULATOR GROUP

T6-3-10000



**3-1****ACCUMULATOR GROUP****T6-3-10000**

REF. NO.	PART NO.	DESCRIPTION	Q'TY	REMARKS
	T6-3-10000	Accumulator Group (For 12mm)	1	
	T6-3-10003	Accumulator Group (For 9mm)	1	
	T6-3-10004	<b>Accumulator Group (For 15.5mm)</b>	1	
1	T6-3-10110	Balance Bar (For 12mm)	1	
	T6-3-10111	Balance Bar (For 9mm)	1	
	T6-3-10112	<b>Balance Bar (For 15.5mm)</b>	1	
2	T6-3-10120	Accumulator Balance Spring	1	
3	T6-3-10130	Accumulator Adjusting Bolt	1	
	T6-3-10130S	Accumulator Adjusting Bolt (Stainless Steel Model)	1	
5	T6-3-10150	Accumulator Spring Adjusting	1	
6	T6-1-72140	Spring	1	
7	T6-3-10170	Label (Direction)	1	
8	T6-3-10181	V-Belt, M-27	1	
9	T6-3-10190	<b>Balance Bar Spacer (For 12mm/15.5mm)</b>	1	
10	T6-3-10200	Twist Stopper	1	
12	T6-3-10220	Guide Cover (For 12mm)	1	
	T6-3-10221	Guide Cover (For 9mm)	1	
	T6-3-10222	<b>Guide Cover (For 15.5mm)</b>	1	
41	T6-3-11000	Accumulator Ass'y (For 12mm)	1	SEE PAGE 41
	T6-3-11001	Accumulator Ass'y (For 9mm)	1	
	T6-3-11002	<b>Accumulator Ass'y (For 15.5mm)</b>	1	
51	HBS0620	HBS, M6x20	4	
	HBS0620S	HBS, M6x20 (Stainless Steel Model)	4	
53	HBS0612	HBS, M6x12 (For 9mm)	2	
	HBS0616	HBS, M6x16 (For 12mm)	2	
	HBS0620	<b>HBS, M6x20 (For 15.5mm)</b>	2	
54	PMS0315	PMS, M3x15	1	
55	HN08	HN, M8	3	
	HN08S	HN, M8 (Stainless Steel Model)	3	
56	HN03	HN, M3	1	
58	PW06A	PW, M6 (A)	4	
	PW06AS	PW, M6 (A)(Stainless Steel Model)	4	
59	<b>SW03</b>	<b>SW, M3</b>	1	

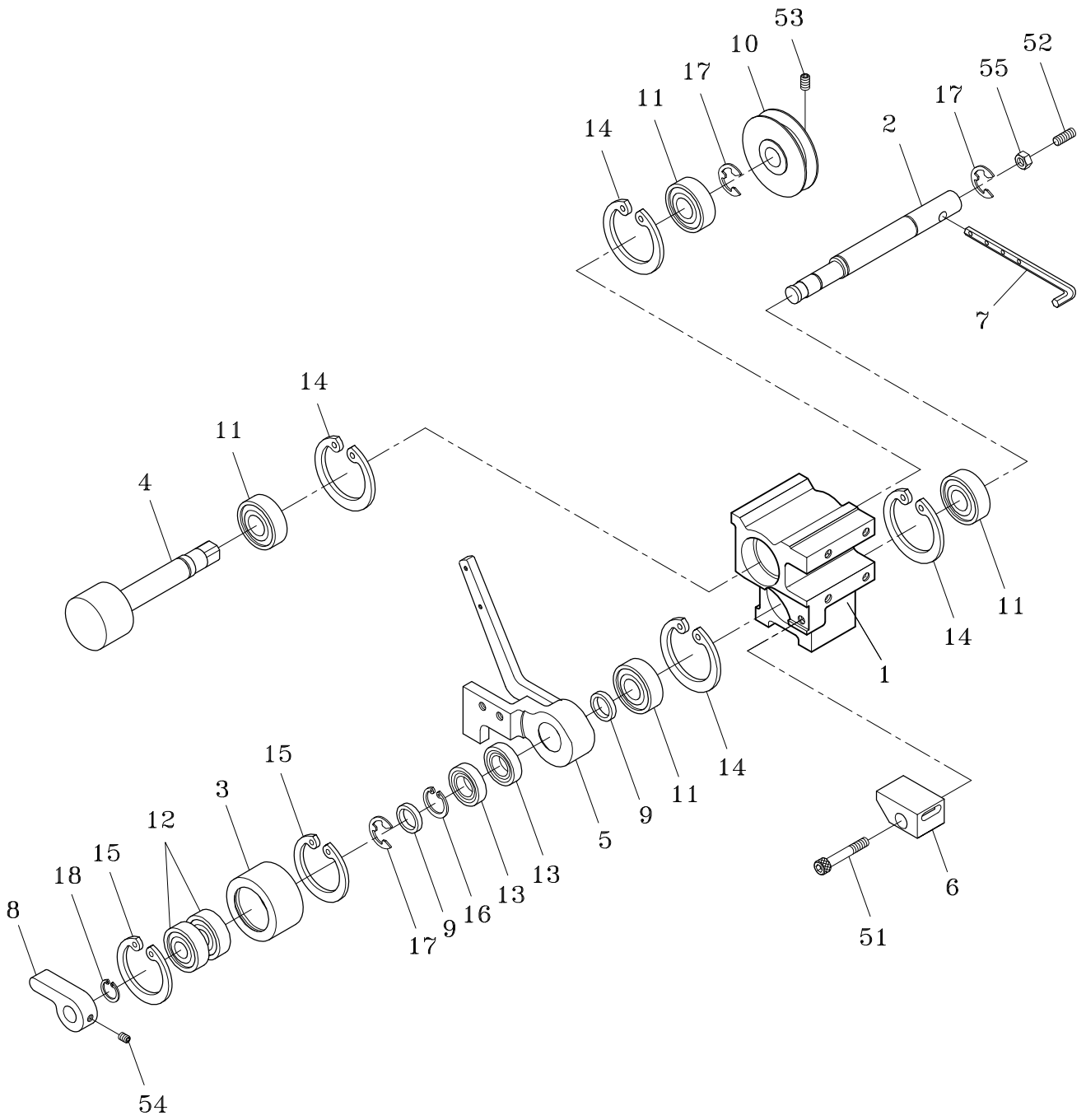
**3-1****ACCUMULATOR GROUP****T6-3-10000**

REF. NO.	PART NO.	DESCRIPTION	Q'TY	REMARKS
60	SW08	SW, M8	1	
61	SW06	SW, M6	4	
	SW06S	SW, M6 (Stainless Steel Model)	4	
62	T6-3-10321	Cover	1	
63	PW05	PW, M5	2	
64	SW05	SW, M5	2	
65	HBS0510	HBS, M5x10	2	

3-1-1

ACCUMULATOR ASS'Y

T6-3-11000



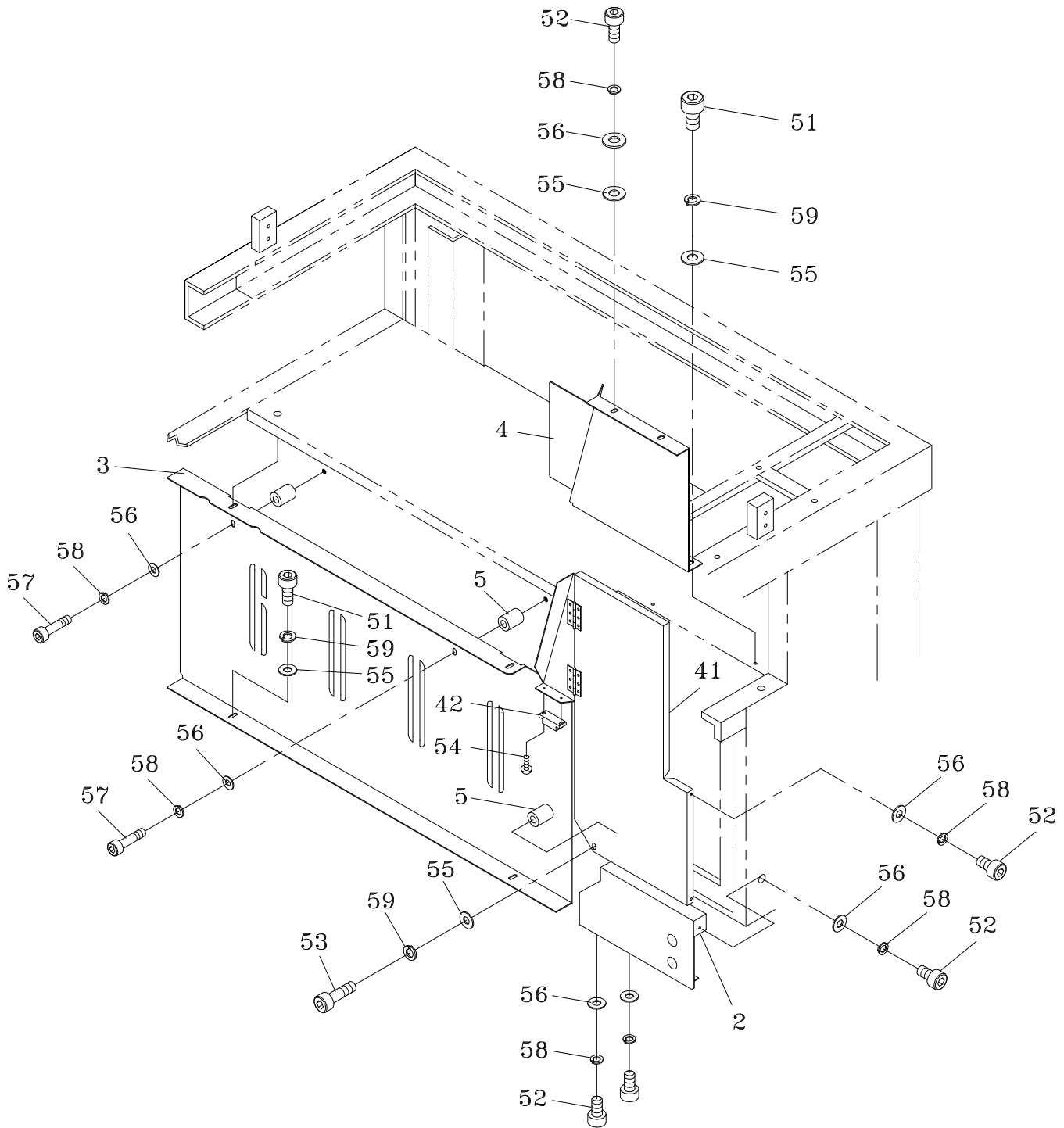
**3-1-1****ACCUMULATOR ASS'Y****T6-3-11000**

REF. NO.	PART NO.	DESCRIPTION	Q'TY	REMARKS
	T6-3-11000	Accumulator Ass'y (For 12mm)	1	
	T6-3-11001	Accumulator Ass'y (For 9mm)	1	
	T6-3-11002	Accumulator Ass'y (For 15.5mm)	1	
1	T6-3-11110	Accumulator Bearing Case	1	
2	T6-3-11120	Accumulator Lower Shaft	1	
3	T6-3-11130	Accumulator Lower Roller	1	
4	T6-3-11140	Accumulator Main Roller & Shaft	1	
5	T6-3-11150	Accumulator Balance Bar Holder	1	
6	T6-3-11160	Accumulator Feed Shooter (For 12mm)	1	
	T6-3-11161	Accumulator Feed Shooter (For 9mm)	1	
	T6-3-11162	Accumulator Feed Shooter (For 15.5mm)	1	
7	T6-3-11170	Accumulator Lower Shaft Spring Hook	1	
8	T6-3-11180	Knob	1	
9	T6-3-11190	Bearing Collar	2	
10	T6-1-71160	Feed Roller Pulley	1	
11	BR6202ZZ	Bearing, 6202ZZ	4	
12	BR6201ZZ	Bearing, 6201ZZ	2	
13	BR6902ZZ	Bearing, 6902ZZ	2	
14	RR35	Snap Ring, H-35	4	
15	RR32	Snap Ring, H-32	2	
16	RR28	Snap Ring, H-28	1	
17	ER12	Snap Ring, E-12	3	
18	SR12	Stop Ring, S-12	1	
51	HBS0635H	HBS, M6x35 (H)	1	
52	HSS0615	HSS, M6x15	1	
53	HSS0610	HSS, M6x10	2	
54	HSS0506	HSS, M5x6	1	
55	HN06	HN, M6	1	



## 3-2

## ACCUMULATOR BOX GROUP T6-3-20000



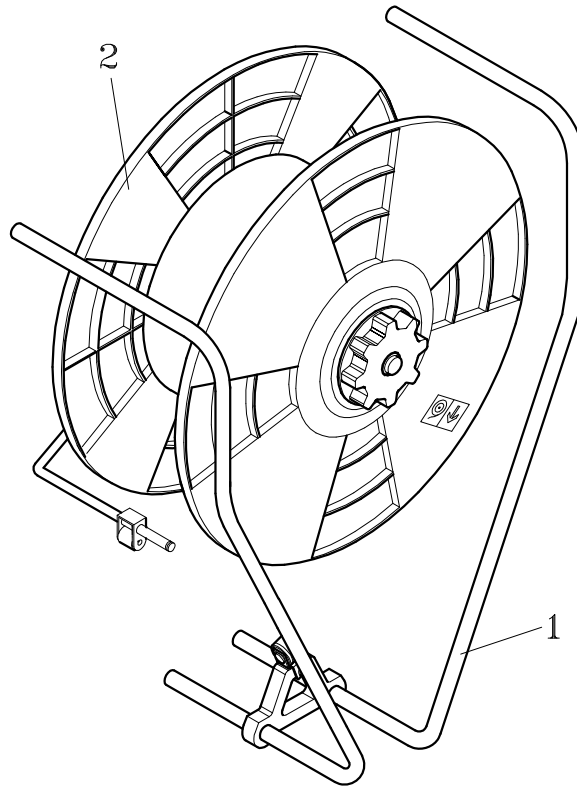
### 3-2 ACCUMULATOR BOX GROUP T6-3-20000

REF. NO.	PART NO.	DESCRIPTION	Q'TY	REMARKS
	T6-3-20000	Accumulator Box Group (For 12mm)	1	
	T6-3-20003	Accumulator Box Group (For 9mm)	1	
	T6-3-20004	Accumulator Box Group (For 15.5mm)	1	
2	T6-3-20120	Accumulator Box Front, RH	1	
	T6-3-20120S	Accumulator Box Front, RH (Stainless Steel Model)	1	
3	T6-3-20130	Accumulator Box Front, LH	1	
	T6-3-20130S	Accumulator Box Front, LH (Stainless Steel Model)	1	
4	T6-3-20140	Accumulator Box Rear	1	
	T6-3-20140S	Accumulator Box Rear (Stainless Steel Model)	1	
5	T6-3-20150	Spacer 9 mm	3	
	T6-3-20160	Spacer 12 mm	3	
	T6-3-20170	Spacer 15.5 mm	3	
41	T6-3-20510	Accumulator Box Front, RH Upper (With Door)	1	
	T6-3-20510S	Accumulator Box Front, RH Upper (With Door)(Stainless Steel Model)	1	
42	T6-3-20520	Magnet Catch	1	
51	HBS0510	HBS, M5x10	4	
	HBS0510S	HBS, M5x10 (Stainless Steel Model)	4	
52	HBS0408	HBS, M4x8	7	
	HBS0408S	HBS, M4x8 (Stainless Steel Model)	7	
53	HBS0525H	HBS, M5x25 (H) (For 9mm/12mm)	1	
	HBS0525HS	HBS, M5x25 (H)(Stainless Steel Model) (For 9mm/12mm)	1	
	HBS0530H	HBS, M5x30 (H) (For 15.5mm)	1	
	HBS0530HS	HBS, M5x30 (H)(Stainless Steel Model) (For 15.5mm)	1	
54	TMS0308	TMS, M3x8	2	
55	PW05	PW, M5	7	
	PW05S	PW, M5 (Stainless Steel Model)	7	
56	PW04	PW, M4	9	
	PW04S	PW, M4 (Stainless Steel Model)	9	
57	HBS0430H	HBS, M4x30 (H)	2	
	HBS0430HS	HBS, M4x30 (H)(Stainless Steel Model)	2	

**3-2****ACCUMULATOR BOX GROUP T6-3-20000**

REF. NO.	PART NO.	DESCRIPTION	Q'TY	REMARKS
58	SW04	SW, M4	7	
	SW04S	SW, M4 (Stainless Steel Model)	7	
59	SW05	SW, M5	4	
	SW05S	SW, M5 (Stainless Steel Model)	4	

4

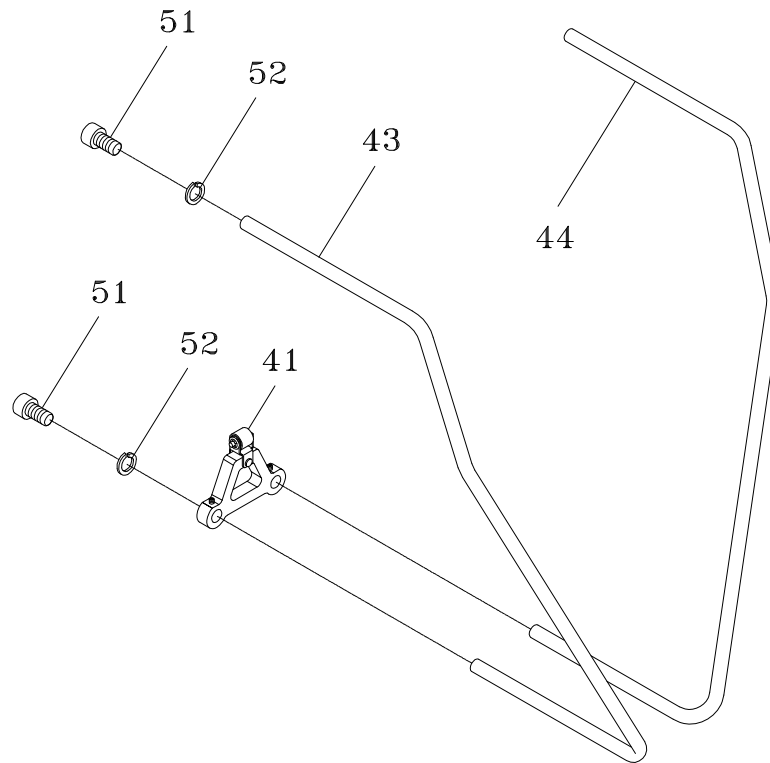
**REEL UNIT****T6-4-90000**

REF. NO.	PART NO.	DESCRIPTION	Q'TY	REMARKS
1	T6-4-10000	Reel Guard Group	1	SEE PAGE 46
2	T6-4-20000	Reel Control Group	1	SEE PAGE 48
	T6-4-20000S	Reel Control Group (Stainless Steel Model)	1	SEE PAGE 48

4-1

## REEL GUARD GROUP

T6-4-10000

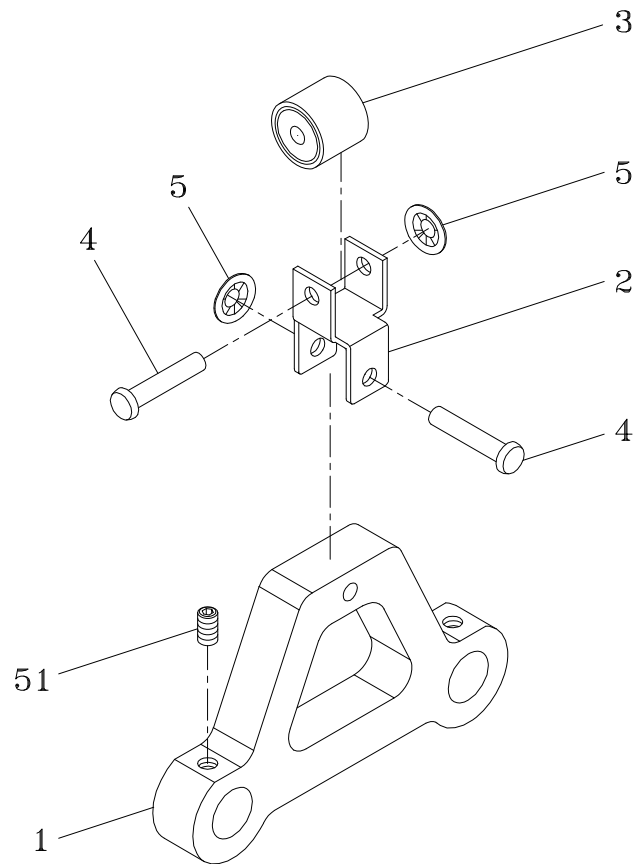


REF. NO.	PART NO.	DESCRIPTION	Q'TY	REMARKS
41	T6-4-11000	Free Angle Bracket Holder Ass'y	1	SEE PAGE 47
43	T6-4-10530	Reel Guard (Front)	1	
	T6-4-10530S	Reel Guard (Front) (Stainless Steel Model)	1	
44	T6-4-10540	Reel Guard (Rear)	1	
	T6-4-10540S	Reel Guard (Rear) (Stainless Steel Model)	1	
51	HBS1020	HBS, M10x20	4	
	HBS1020S	HBS, M10x20 (Stainless Steel Model)	4	
52	SW10	SW, M10	4	
	SW10S	SW, M10 (Stainless Steel Model)	4	

4-1-1

# FREE ANGLE BRACKET HOLDER ASS'Y

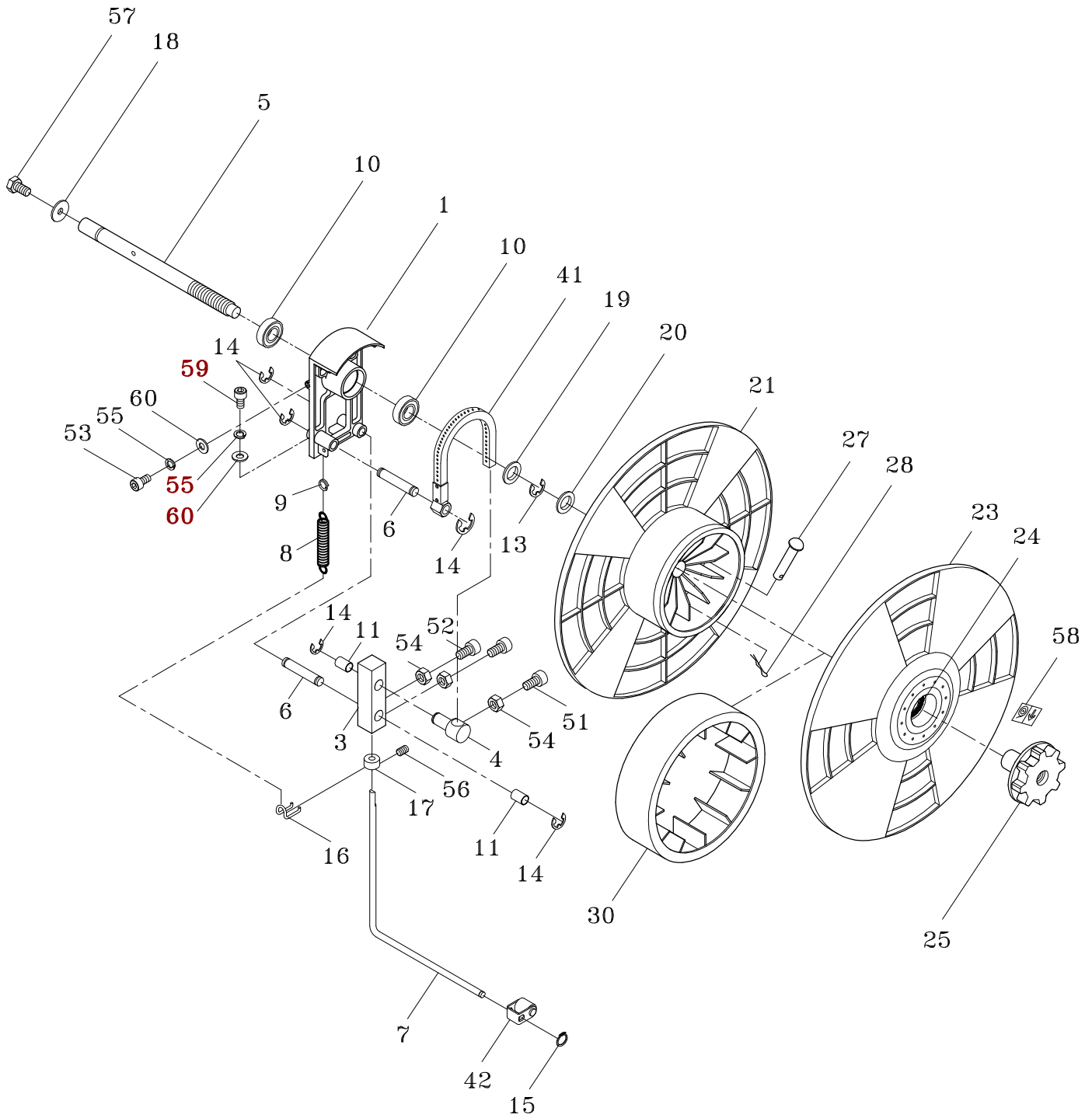
T6-4-11000



REF. NO.	PART NO.	DESCRIPTION	Q'TY	REMARKS
1	T6-4-11110	Free Angle Bracket Holder	1	
2	T6-4-11120	Free Angle Roller Bracket	1	
3	T6-4-11130	Strap Guide Roller	1	
4	T6-4-11140	Rivet, $\$ 6 \times 30$	2	
5	PN06	PN, $\$ 6$	2	
51	HSS0610	HSS, M6x10	2	
	HSS0610S	HSS, M6x10 (Stainless Steel Model)	2	

4-2

## REEL CONTROL GROUP

T6-4-20000  
T6-4-20000S

**4-2****REEL CONTROL GROUP****T6-4-20000****T6-4-20000S**

REF. NO.	PART NO.	DESCRIPTION	Q'TY	REMARKS
	T6-4-20000	Reel Control Group	1	
	T6-4-20000S	Reel Control Group (Stainless Steel Model)	1	
1	T6-4-20110	Reel Unit Base	1	
3	T6-4-20130	Brake Tension Holder	1	
4	T6-4-20140	Brake Belt Tightener	1	
	T6-4-20140S	Brake Belt Tightener (Stainless Steel Model)	1	
5	T6-4-20150	Reel Shaft	1	
	T6-4-20150S	Reel Shaft (Stainless Steel Model)	1	
6	T6-4-20160	Holder Shaft	2	
	T6-4-20160S	Holder Shaft (Stainless Steel Model)	2	
7	T6-4-20170	Reel Brake Arm	1	
	T6-4-20170S	Reel Brake Arm (Stainless Steel Model)	1	
8	T6-4-20180	Brake Tension Arm Spring	1	
	T6-4-20180S	Brake Tension Arm Spring (Stainless Steel Model)	1	
9	T6-4-20190	Brake Tension Spring Ring	1	
10	BR6205ZZ	Bearing, 6205ZZ	2	
11	MB1525	Metal Bush, 1525	2	
13	ER19	Snap Ring, E-19	1	
	ER19S	Snap Ring, E-19 (Stainless Steel Model)	1	
14	ER12	Snap Ring, E-12	5	
	ER12S	Snap Ring, E-12 (Stainless Steel Model)	5	
15	SR08	Stop Ring, S-8	1	
	SR08S	Stop Ring, S-8 (Stainless Steel Model)	1	
16	T6-4-20260	Spring Hook	1	
17	T6-4-20270	Set Block	1	
	T6-4-20270S	Set Block (Stainless Steel Model)	1	
18	T6-4-20280	Washer	1	
	T6-4-20280S	Washer (Stainless Steel Model)	1	
19	T6-4-20290	Collar	1	
20	T6-4-20300	Collar	1	
21	TC-013	Inner Flange	1	
23	TC-014	Outer Flange	1	
24	TC-015	Protector	1	
25	TC-016	Reel Nut Handle	1	
27	TC-020	Pin	1	



4-2

## REEL CONTROL GROUP

T6-4-20000

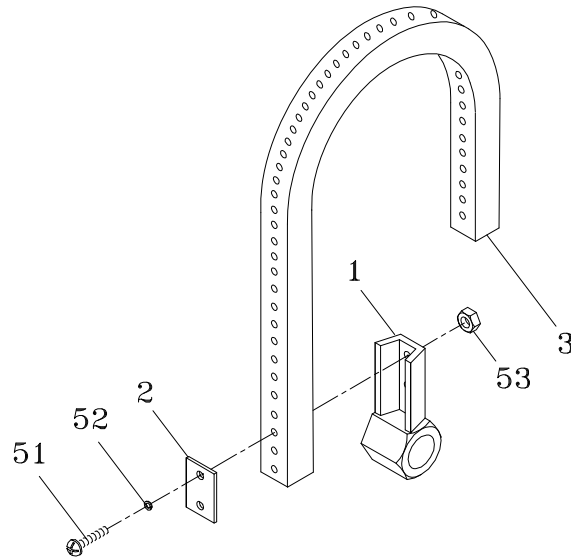
T6-4-20000S

REF. NO.	PART NO.	DESCRIPTION	Q'TY	REMARKS
28	TC-021	Split Pin	1	
30	TC-075	Center Drum 280mm (Option)	1	
41	T6-4-21000	Brake Belt Ass'y	1	SEE PAGE 50
42	T6-4-22000	Free Slide Roller Ass'y	1	SEE PAGE 51
51	HBS0625	HBS, M6x25	1	
	HBS0625S	HBS, M6x25 (Stainless Steel Model)	1	
52	HBS0620	HBS, M6x20	2	
	HBS0620S	HBS, M6x20 (Stainless Steel Model)	2	
53	HBS0616	HBS, M6x16	2	
	HBS0616S	HBS, M6x16 (Stainless Steel Model)	2	
54	HN06	HN, M6	2	
	HN06S	HN, M6 (Stainless Steel Model)	2	
55	SW06	SW, M6	3	
	SW06S	SW, M6 (Stainless Steel Model)	3	
56	HSS0606	HSS, M6x6	1	
57	HB0816	HB, M8x16	1	
	HB0816S	HB, M8x16 (Stainless Steel Model)	1	
58	LA-31010	Label	1	
59	HBS0620	HBS, M6x20	1	
60	PW06A	PW, M6 (A)	3	
	PW06AS	PW, M6 (A)(Stainless Steel Model)	3	

4-2-1

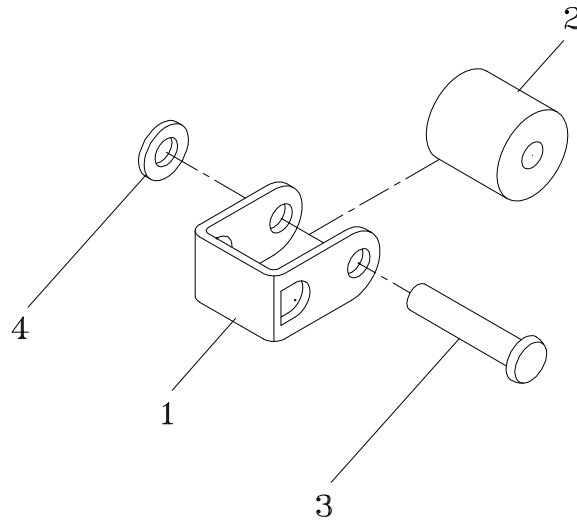
## BRAKE BELT ASS'Y

T6-4-21000



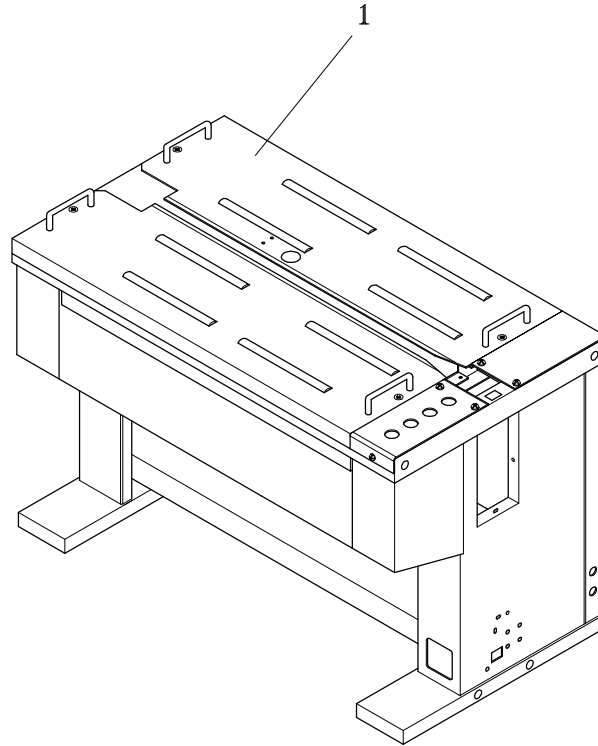
REF. NO.	PART NO.	DESCRIPTION	Q'TY	REMARKS
1	T6-4-21110	Brake Belt Holder	1	
2	T6-4-21120	Brake Holder Plate	1	
3	T6-4-21130	Brake V-Belt	1	
51	PMS0420	PMS, M4x20	2	
52	SW04	SW, M4	4	
53	HN04	HN, M4	2	

4-2-2

**FREE SLIDE ROLLER ASS'Y T6-4-22000**

REF. NO.	PART NO.	DESCRIPTION	Q'TY	REMARKS
1	T6-4-22110	Free Slide Roller Bracket	1	
	T6-4-22110S	Free Slide Roller Bracket (Stainless Steel Model)	1	
2	TE-028	Roller	1	
3	T6-4-11140	Rivet, $\text{§}$ 6x30	1	
	T6-4-11140S	Rivet, $\text{§}$ 6x30 (Stainless Steel Model)	1	
4	PN06	PN, $\text{§}$ 6	1	
	PN06S	PN, $\text{§}$ 6 (Stainless Steel Model)	1	

5

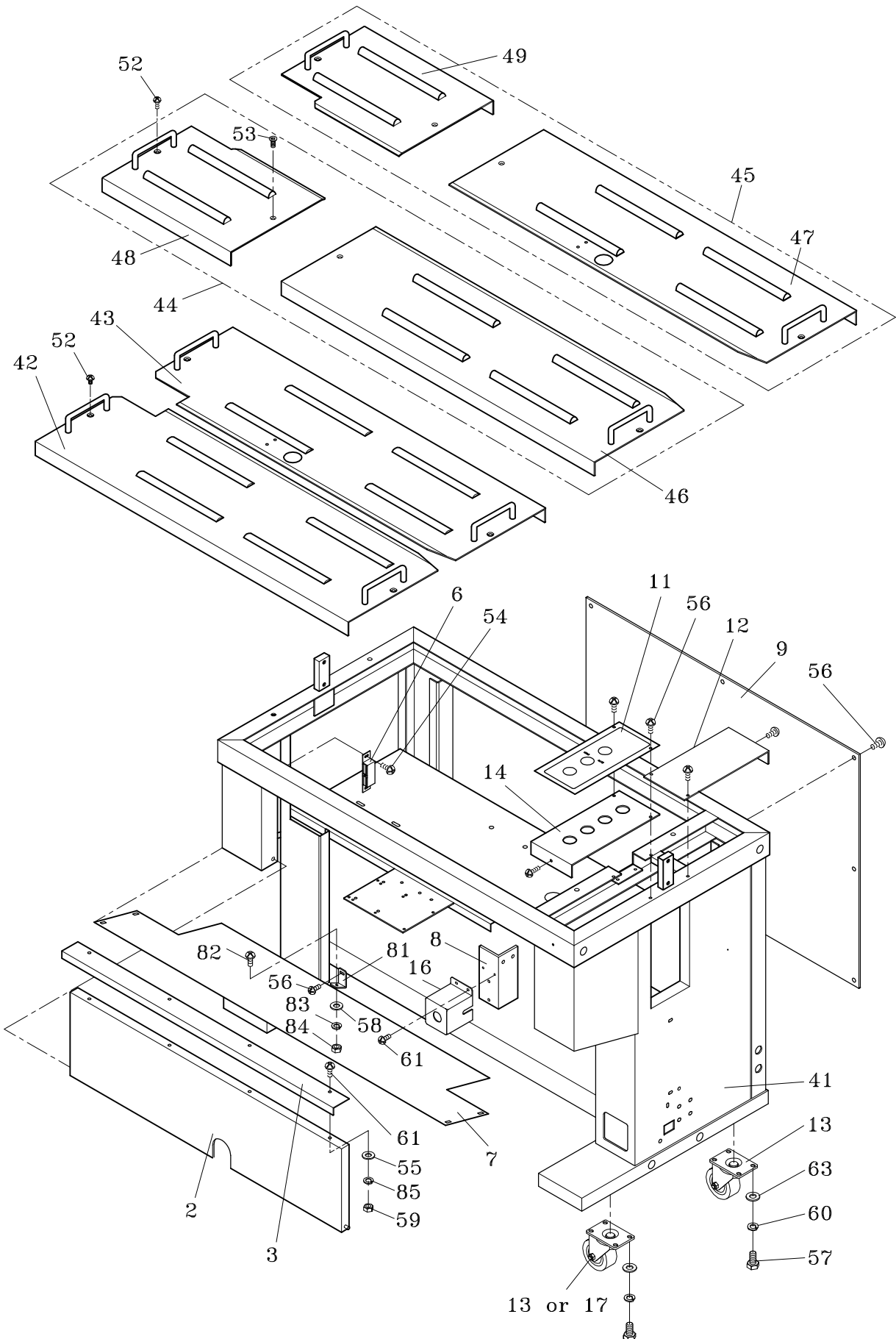
**BODY FRAME UNIT****T6-5-90004**

REF. NO.	PART NO.	DESCRIPTION	Q'TY	REMARKS
1	T6-5-10014	<b>Body Frame Group</b>	1	SEE PAGE 53
	T6-5-10014S	<b>Body Frame Group (Stainless Steel Model)</b>	1	

5-1

BODY FRAME GROUP

T6-5-10014



## 5-1

## BODY FRAME GROUP

## T6-5-10014

REF. NO.	PART NO.	DESCRIPTION	Q'TY	REMARKS
2	T6-5-10047	Front Door (For Non CE Only)	1	
	T6-5-10047S	Front Door (Stainless Steel Model) (For Non CE Only)	1	
	T6-5-10127	Front Door (For Non CE Only, Outside Tension)	1	
	T6-5-10127S	Front Door (Stainless Steel Model) (For Non CE Only, Outside Tension)	1	
	<b>T6-5-10122</b>	Front Door (For CE)	1	
	<b>T6-5-10122S</b>	Front Door (Stainless Steel Model)(For CE)	1	
	T6-5-10128	Front Door (For CE, Outside Tension)	1	
	T6-5-10128S	Front Door (Stainless Steel Model) (For CE, Outside Tension)	1	
3	T6-5-10130	Front Door Handle	1	
	T6-5-10130S	Front Door Handle (Stainless Steel Model)	1	
6	T6-5-10160	Magnet Catch	2	
7	T6-5-40009	Enclosed Bottom Plate	1	
	<b>T6-5-40009S</b>	<b>Enclosed Bottom Plate (Stainless Steel Model)</b>	<b>1</b>	
8	T6-5-40020	<b>Power Switch Bracket (For CE)</b>	1	
9	T6-5-10190	Rear Plate	1	
	T6-5-10190S	Rear Plate (Stainless Steel Model)	1	
11	<b>LA-10020</b>	<b>Control Label</b>	1	
	<b>LA-10021</b>	<b>Control Label (For CE)</b>	1	
12	T6-5-10220	Rear Cover	1	
	T6-5-10220S	Rear Cover (Stainless Steel Model)	1	
13	T6-5-10230	Caster (Free)	4	
	<b>T6-5-10231</b>	<b>Caster (Free)(Option)</b>	<b>2</b>	
	T6-5-10232	<b>Caster (Free)(Stainless Steel Model)</b>	2	
14	T6-5-10244	Control Plate	1	
	T6-5-10244S	Control Plate (Stainless Steel Model)	1	
16	T6-5-10260	Cover	1	
17	<b>T6-5-10270</b>	<b>Caster (Brake)(Option)</b>	<b>2</b>	
	T6-5-10271	<b>Caster (Brake)(Stainless Steel Model)</b>	2	
41	T6-5-13000	Body Frame (For 850W)	1	
	T6-5-13000S	Body Frame (Stainless Steel Model) (For 850W)	1	

**5-1****BODY FRAME GROUP****T6-5-10014**

REF. NO.	PART NO.	DESCRIPTION	Q'TY	REMARKS
42	T6-5-11000	Upper Table, Front Set (For 850W)	1	SEE PAGE 56
	T6-5-11000S	Upper Table, Front Set (Stainless Steel Model)(For 850W)	1	SEE PAGE 56
	T6-5-11009	Upper Table, Front Set (For 650W)	1	
	T6-5-11009S	Upper Table, Front Set (Stainless Steel Model)(For 650W)	1	
43	T6-5-12000	Upper Table, Rear Set (For 850W)	1	SEE PAGE 57
	T6-5-12000S	Upper Table, Rear Set (Stainless Steel Model)(For 850W)	1	SEE PAGE 57
	T6-5-12009	Upper Table, Rear Set (For 650W)	1	
	T6-5-12009S	Upper Table, Rear Set (Stainless Steel Model)(For 650W)	1	
44	T6-5-11002	Upper Table, Front Set (For 1050W)	1	
	T6-5-11003	Upper Table, Front Set (For 1250W)	1	
	T6-5-11004	Upper Table, Front Set (For 1450W)	1	
	T6-5-11005	Upper Table, Front Set (For 1650W)	1	
	T6-5-11006	Upper Table, Front Set (For 1850W)	1	
	T6-5-11007	Upper Table, Front Set (For 2050W)	1	
	T6-5-11008	Upper Table, Front Set (For 2250W)	1	
45	T6-5-12006	Upper Table, Rear Set (For 1050W)	1	
	T6-5-12007	Upper Table, Rear Set (For 1250W)	1	
	T6-5-12008	Upper Table, Rear Set (For 1450W)	1	
	T6-5-12012	Upper Table, Rear Set (For 1650W)	1	
	T6-5-12013	Upper Table, Rear Set (For 1850W)	1	
	T6-5-12014	Upper Table, Rear Set (For 2050W)	1	
	T6-5-12015	Upper Table, Rear Set (For 2250W)	1	
46	T6-5-10540	Upper Right Table, Front Set (For 1050~2250W)	1	SEE PAGE 58
47	T6-5-10582	Upper Right Table, Rear Set (For 1050W~2250W)	1	SEE PAGE 59
48	T6-5-10550	Upper Left Table, Front Set (For 1050W)	1	SEE PAGE 60
	T6-5-10560	Upper Left Table, Front Set (For 1250W)	1	
	T6-5-10570	Upper Left Table, Front Set (For 1450W)	1	
	T6-5-10571	Upper Left Table, Front Set (For 1650W)	1	
	T6-5-10572	Upper Left Table, Front Set (For 1850W)	1	
	T6-5-10573	Upper Left Table, Front Set (For 2050W)	1	
	T6-5-10574	Upper Left Table, Front Set (For 2250W)	1	

**5-1****BODY FRAME GROUP****T6-5-10014**

REF. NO.	PART NO.	DESCRIPTION	Q'TY	REMARKS
49	T6-5-10590	Upper Left Table, Rear Set (For 1050W)	1	SEE PAGE 61
	T6-5-10600	Upper Left Table, Rear Set (For 1250W)	1	
	T6-5-10850	Upper Left Table, Rear Set (For 1450W)	1	
	T6-5-10851	Upper Left Table, Rear Set (For 1650W)	1	
	T6-5-10852	Upper Left Table, Rear Set (For 1850W)	1	
	T6-5-10853	Upper Left Table, Rear Set (For 2050W)	1	
	T6-5-10854	Upper Left Table, Rear Set (For 2250W)	1	
52	TMS0615S	TMS, M6x15 (SUS)	4	
53	FMS0615S	FMS, M6x15 (SUS)(For 1050~2250W)	4	
54	TMS0308	TMS, M3x8	2	
55	PW04	PW, M4	4	
	PW04S	PW, M4 (Stainless Steel Model)	4	
56	TMS0508	TMS, M5x8	15	
	TMS0508S	TMS, M5x8 (Stainless Steel Model)	15	
57	HB0616	HB, M6x16	16	
	HB0616S	HB, M6x16 (Stainless Steel Model)	16	
58	PW05	PW, M5	1	
59	HN04	HN, M4	4	
	HN04S	HN, M4 (Stainless Steel Model)	4	
60	SW06	SW, M6	16	
	SW06S	SW, M6 (Stainless Steel Model)	16	
61	TMS0408	TMS, M4x8	6	
	TMS0408S	TMS, M4x8 (Stainless Steel Model)	6	
63	PW06C	PW, M6 (C)	16	
	<b>PW06CS</b>	<b>PW, M6 (C)(Stainless Steel Model)</b>	16	
81	T6-5-10910	Bracket	1	
82	TMS0512	TMS, M5x12	1	
83	SW05	SW, M5	1	
84	HN05	HN, M5	1	
85	SW04	SW, M4	4	
	SW04S	SW, M4 (Stainless Steel Model)	4	

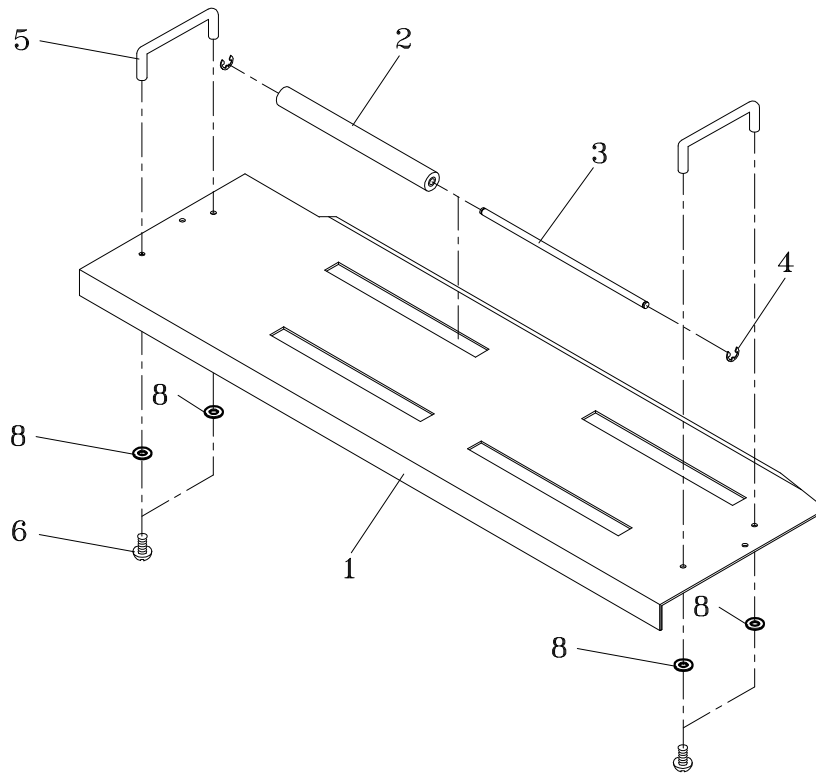


## 5-1-1

## UPPER TABLE, FRONT SET

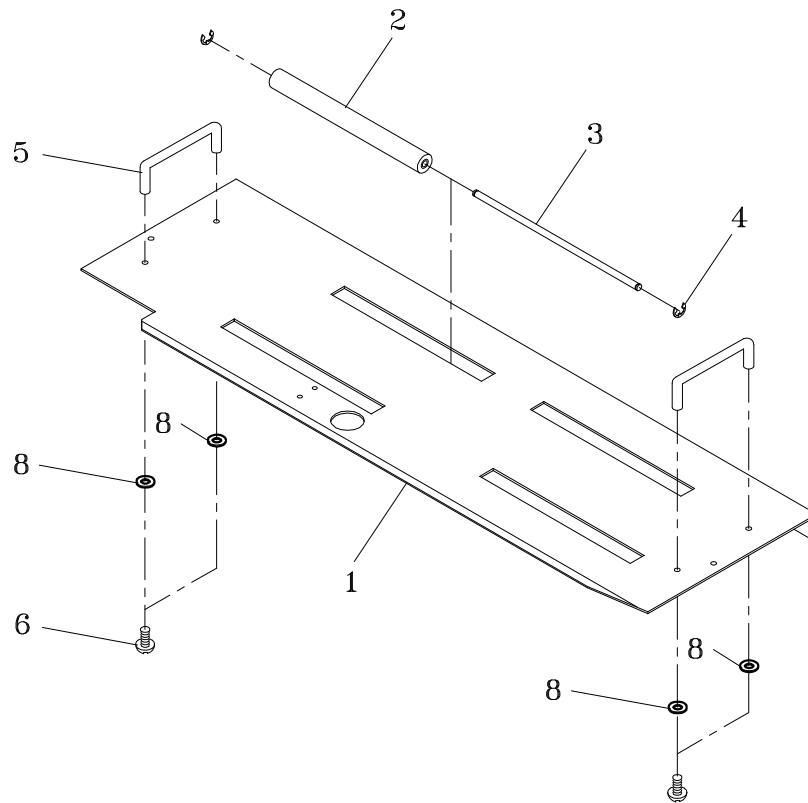
T6-5-11000

T6-5-11009



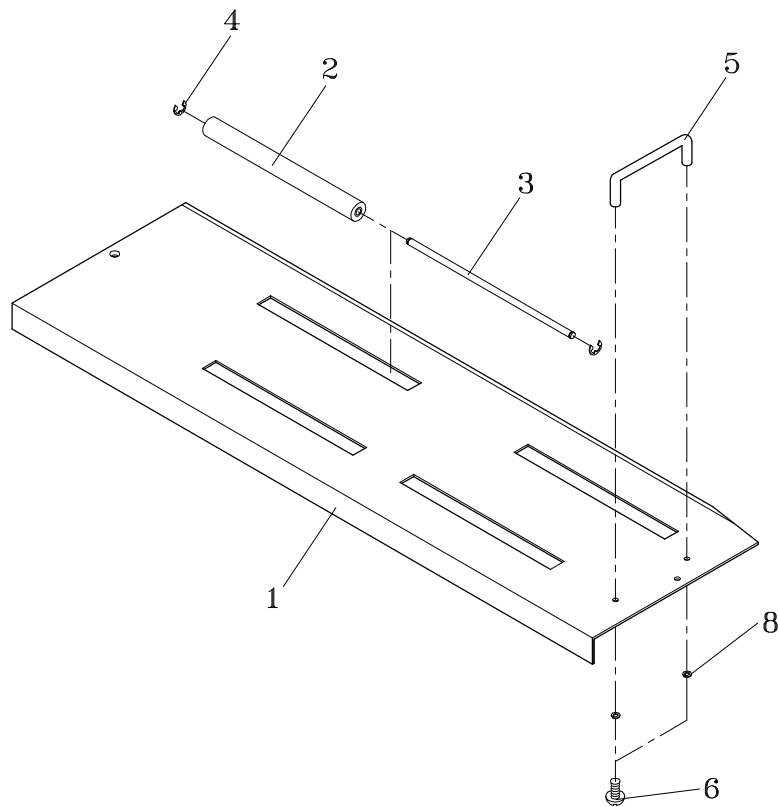
REF. NO.	PART NO.	DESCRIPTION	Q'TY	REMARKS
1	T6-5-11000	Upper Table, Front Set (For 850W)	1	
	T6-5-11009	Upper Table, Front Set (For 650W)	1	
	T6-5-11110	Upper Table Front (For 850W)	1	
	T6-5-11110S	Upper Table Front (Stainless Steel Model) (For 850W)	1	
	T6-5-11010	Upper Table Front (For 650W)	1	
	T6-5-11010S	Upper Table Front (Stainless Steel Model) (For 650W)	1	
2	T6-5-11120	Table Roller	4	
	T6-5-11121	Table Roller (Stainless Steel Model)	4	
3	T6-5-11130	Table Roller Shaft	4	
	T6-5-11131	Table Roller Shaft (Stainless Steel Model)	4	
4	ER07	Snap Ring, E-7	8	
	ER07S	Snap Ring, E-7 (Stainless Steel Model)	8	
5	T6-5-11150	Table Handle	2	
	T6-5-11150S	Table Handle (Stainless Steel Model)	2	
6	TMS0612	TMS, M6x12	4	
	TMS0612S	TMS, M6x12 (Stainless Steel Model)	4	
8	SW06	SW, M6	4	
	SW06S	SW, M6 (Stainless Steel Model)	4	

5-1-2

**UPPER TABLE, REAR SET****T6-5-12000****T6-5-12009**

REF. NO.	PART NO.	DESCRIPTION	Q'TY	REMARKS
1	T6-5-12000	Upper Table, Rear Set (For 850W)	1	
	<b>T6-5-12009</b>	<b>Upper Table, Rear Set (For 650W)</b>	1	
	T6-5-12110	Upper Rear (For 850W)	1	
	T6-5-12110S	Upper Rear (Stainless Steel Model) (For 850W)	1	
	<b>T6-5-12010</b>	<b>Upper Rear (For 650W)</b>	1	
	<b>T6-5-12010S</b>	<b>Upper Rear (Stainless Steel Model) (For 650W)</b>	1	
2	T6-5-11120	Table Roller	4	
	T6-5-11121	Table Roller (Stainless Steel Model)	4	
3	T6-5-11130	Table Roller Shaft	4	
	T6-5-11131	Table Roller Shaft (Stainless Steel Model)	4	
4	ER07	Snap Ring, E-7	8	
	ER07S	Snap Ring, E-7 (Stainless Steel Model)	8	
5	T6-5-11150	Table Handle	2	
	T6-5-11150S	Table Handle (Stainless Steel Model)	2	
6	TMS0612	TMS, M6x12	4	
	TMS0612S	TMS, M6x12 (Stainless Steel Model)	4	
8	SW06	SW, M6	4	
	SW06S	SW, M6 (Stainless Steel Model)	4	

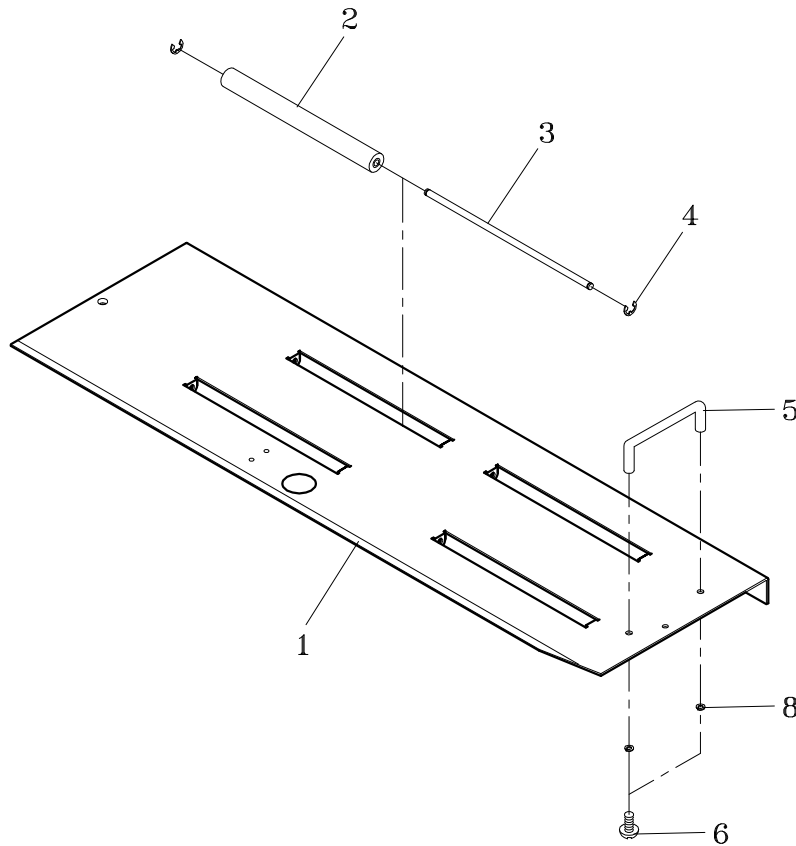
## 5-1-3 UPPER RIGHT TABLE, FRONT SET T6-5-10540



REF. NO.	PART NO.	DESCRIPTION	Q'TY	REMARKS
1	T6-5-11020	Upper Right Table Front (For 1050~2250W)	1	
	T6-5-11020S	Upper Right Table Front (Stainless Steel Model)(For 1050~2250W)	1	
2	T6-5-11120	Table Roller	4	
	T6-5-11121	Table Roller (Stainless Steel Model)	4	
3	T6-5-11130	Table Roller Shaft	4	
	T6-5-11131	Table Roller Shaft (Stainless Steel Model)	4	
4	ER07	Snap Ring, E-7	8	
	ER07S	Snap Ring, E-7 (Stainless Steel Model)	8	
5	T6-5-11150	Table Handle	1	
	T6-5-11150S	Table Handle (Stainless Steel Model)	1	
6	TMS0612	TMS, M6x12	2	
	TMS0612S	TMS, M6x12 (Stainless Steel Model)	2	
8	SW06	SW, M6	2	
	SW06S	SW, M6 (Stainless Steel Model)	2	

## 5-1-4

## UPPER RIGHT TABLE, REAR SET T6-5-10582

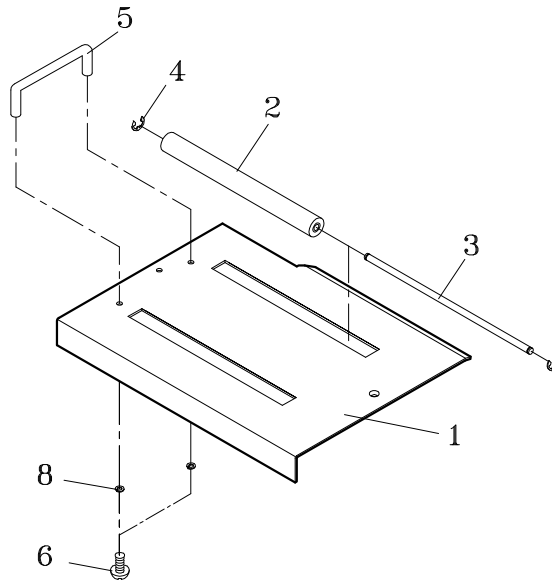


REF. NO.	PART NO.	DESCRIPTION	Q'TY	REMARKS
1	T6-5-12022	Upper Right Rear (For 1050~2250W)	1	
	T6-5-12022S	Upper Right Rear (Stainless Steel Model) (For 1050~2250W)	1	
2	T6-5-11120	Table Roller	4	
	T6-5-11121	Table Roller (Stainless Steel Model)	4	
3	T6-5-11130	Table Roller Shaft	4	
	T6-5-11131	Table Roller Shaft (Stainless Steel Model)	4	
4	ER07	Snap Ring, E-7	8	
	ER07S	Snap Ring, E-7 (Stainless Steel Model)	8	
5	T6-5-11150	Table Handle	1	
	T6-5-11150S	Table Handle (Stainless Steel Model)	1	
6	TMS0612	TMS, M6x12	2	
	TMS0612S	TMS, M6x12 (Stainless Steel Model)	2	
8	SW06	SW, M6	2	
	SW06S	SW, M6 (Stainless Steel Model)	2	

## 5-1-5

## UPPER LEFT TABLE, FRONT SET

T6-5-10550



REF. NO.	PART NO.	DESCRIPTION	Q'TY	REMARKS
1	T6-5-10550	Upper Left Table, Front Set (For 1050W)	1	
	T6-5-10560	Upper Left Table, Front Set (For 1250W)	1	
	T6-5-10570	Upper Left Table, Front Set (For 1450W)	1	
	T6-5-10571	Upper Left Table, Front Set (For 1650W)	1	
	T6-5-10572	Upper Left Table, Front Set (For 1850W)	1	
	T6-5-10573	Upper Left Table, Front Set (For 2050W)	1	
	T6-5-10574	Upper Left Table, Front Set (For 2250W)	1	
	T6-5-11030	Upper Left Table Front (For 1050W)	1	
	T6-5-11030S	Upper Left Table Front (Stainless Steel Model)(For 1050W)	1	
	T6-5-11040	Upper Left Table Front (For 1250W)	1	
	T6-5-11040S	Upper Left Table Front (Stainless Steel Model)(For 1250W)	1	
	T6-5-11050	Upper Left Table Front (For 1450W)	1	
	T6-5-11050S	Upper Left Table Front (Stainless Steel Model)(For 1450W)	1	
	T6-5-11060	Upper Left Table Front (For 1650W)	1	
	T6-5-11060S	Upper Left Table Front (Stainless Steel Model)(For 1650W)	1	
	T6-5-11070	Upper Left Table Front (For 1850W)	1	
	T6-5-11070S	Upper Left Table Front (Stainless Steel Model)(For 1850W)	1	

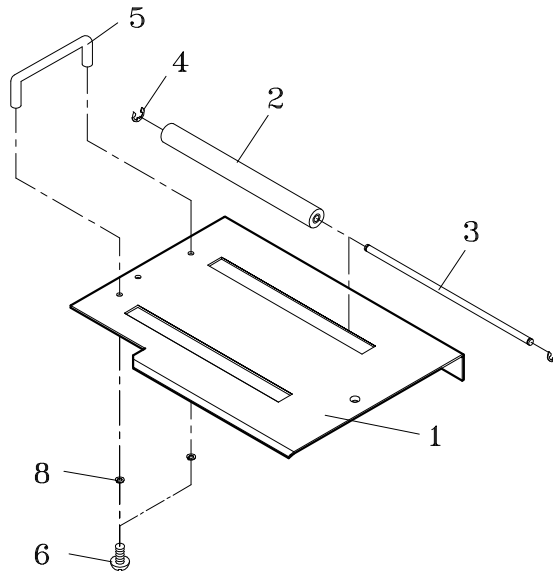
**5-1-5 UPPER LEFT TABLE, FRONT SET T6-5-10550**

REF. NO.	PART NO.	DESCRIPTION	Q'TY	REMARKS
	T6-5-11080	Upper Left Table Front (For 2050W)	1	
	T6-5-11080S	Upper Left Table Front (Stainless Steel Model)(For 2050W)	1	
	T6-5-11090	Upper Left Table Front (For 2250W)	1	
	T6-5-11090S	Upper Left Table Front (Stainless Steel Model)(For 2250W)	1	
2	T6-5-11120	Table Roller (For 1050W~1450W)	2	
		Table Roller (For 1650W/1850W)	4	
		Table Roller (For 2050W/2250W)	6	
	T6-5-11121	Table Roller (Stainless Steel Model) (For 1050W~1450W)	2	
		Table Roller (Stainless Steel Model) (For 1650W/1850W)	4	
		Table Roller (Stainless Steel Model) (For 2050W/2250W)	6	
3	T6-5-11130	Table Roller Shaft (For 1050W~1450W)	2	
		Table Roller Shaft (For 1650W/1850W)	4	
		Table Roller Shaft (For 2050W/2250W)	6	
	T6-5-11131	Table Roller Shaft (Stainless Steel Model)(For 1050W~1450W)	2	
		Table Roller Shaft (Stainless Steel Model)(For 1650W/1850W)	4	
		Table Roller Shaft (Stainless Steel Model)(For 2050W/2250W)	6	
4	ER07	Snap Ring, E-7 (For 1050W~1450W)	4	
		Snap Ring, E-7 (For 1650W/1850W)	8	
		Snap Ring, E-7 (For 2050W/2250W)	12	
	ER07S	Snap Ring, E-7 (Stainless Steel Model)(For 1050W~1450W)	4	
		Snap Ring, E-7 (Stainless Steel Model) (For 1650W/1850W)	8	
		Snap Ring, E-7 (Stainless Steel Model) (For 2050W/2250W)	12	
5	T6-5-11150	Table Handle	1	
	T6-5-11150S	Table Handle (Stainless Steel Model)	1	

**5-1-5            UPPER LEFT TABLE, FRONT SET            T6-5-10550**

REF. NO.	PART NO.	DESCRIPTION	Q'TY	REMARKS
6	TMS0612	TMS, M6x12	2	
	TMS0612S	TMS, M6x12 (Stainless Steel Model)	2	
8	SW06	SW, M6	2	
	SW06S	SW, M6 (Stainless Steel Model)	2	

## 5-1-6 UPPER LEFT TABLE, REAR SET T6-5-10590



REF. NO.	PART NO.	DESCRIPTION	Q'TY	REMARKS
1	T6-5-10590	Upper Left Table, Rear Set (For 1050W)	1	
	T6-5-10600	Upper Left Table, Rear Set (For 1250W)	1	
	T6-5-10850	Upper Left Table, Rear Set (For 1450W)	1	
	T6-5-10851	Upper Left Table, Rear Set (For 1650W)	1	
	T6-5-10852	Upper Left Table, Rear Set (For 1850W)	1	
	T6-5-10853	Upper Left Table, Rear Set (For 2050W)	1	
	T6-5-10854	Upper Left Table, Rear Set (For 2250W)	1	
	T6-5-12030	Upper Left Table Rear (For 1050W)	1	
	T6-5-12030S	Upper Left Table Rear (Stainless Steel Model)(For 1050W)	1	
	T6-5-12040	Upper Left Table Rear (For 1250W)	1	
	T6-5-12040S	Upper Left Table Rear (Stainless Steel Model)(For 1250W)	1	
	T6-5-12050	Upper Left Table Rear (For 1450W)	1	
	T6-5-12050S	Upper Left Table Rear (Stainless Steel Model)(For 1450W)	1	
	T6-5-12060	Upper Left Table Rear (For 1650W)	1	
	T6-5-12060S	Upper Left Table Rear (Stainless Steel Model)(For 1650W)	1	
	T6-5-12070	Upper Left Table Rear (For 1850W)	1	
	T6-5-12070S	Upper Left Table Rear (Stainless Steel Model)(For 1850W)	1	



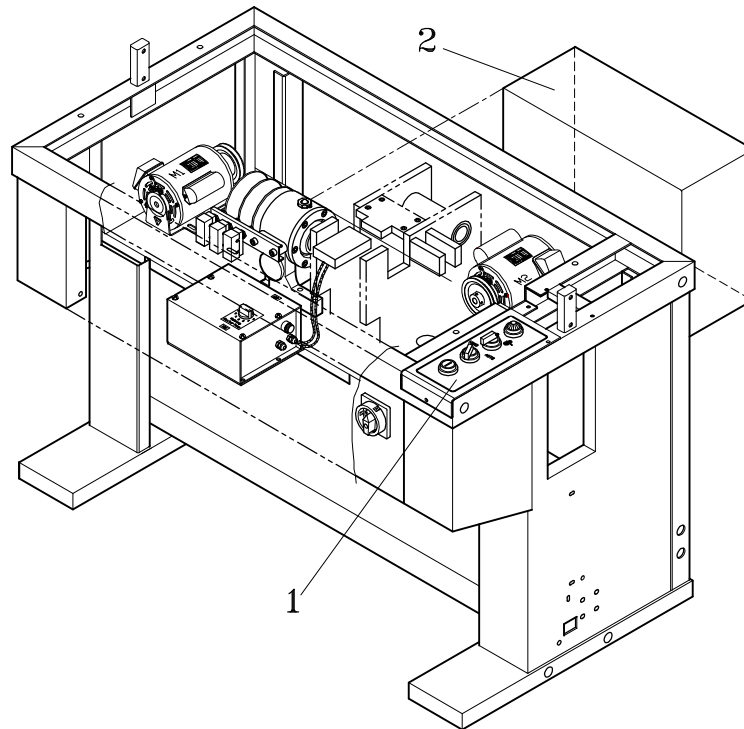
**5-1-6****UPPER LEFT TABLE, REAR SET****T6-5-10590**

REF. NO.	PART NO.	DESCRIPTION	Q'TY	REMARKS
	T6-5-12080	Upper Left Table Rear (For 2050W)	1	
	T6-5-12080S	Upper Left Table Rear (Stainless Steel Model)(For 2050W)	1	
	T6-5-12090	Upper Left Table Rear (For 2250W)	1	
	T6-5-12090S	Upper Left Table Rear (Stainless Steel Model)(For 2250W)	1	
2	T6-5-11120	Table Roller (For 1050W~1450W)	2	
		Table Roller (For 1650W/1850W)	4	
		Table Roller (For 2050W/2250W)	6	
	T6-5-11121	Table Roller (Stainless Steel Model) (For 1050W~1450W)	2	
		Table Roller (Stainless Steel Model) (For 1650W/1850W)	4	
		Table Roller (Stainless Steel Model) (For 2050W/2250W)	6	
3	T6-5-11130	Table Roller Shaft (For 1050W~1450W)	2	
		Table Roller Shaft (For 1650W/1850W)	4	
		Table Roller Shaft (For 2050W/2250W)	6	
	T6-5-11131	Table Roller Shaft (Stainless Steel Model) (For 1050W~1450W)	2	
		Table Roller Shaft (Stainless Steel Model) (For 1650W/1850W)	4	
		Table Roller Shaft (Stainless Steel Model) (For 2050W/2250W)	6	
4	ER07	Snap Ring, E-7 (For 1050W~1450W)	4	
		Snap Ring, E-7 (For 1650W/1850W)	8	
		Snap Ring, E-7 (For 2050W/2250W)	12	
	ER07S	Snap Ring, E-7 (Stainless Steel Model) (For 1050W~1450W)	4	
		Snap Ring, E-7 (Stainless Steel Model) (For 1650W/1850W)	8	
		Snap Ring, E-7 (Stainless Steel Model) (For 2050W/2250W)	12	
5	T6-5-11150	Table Handle	1	
	T6-5-11150S	Table Handle (Stainless Steel Model)	1	

**5-1-6                    UPPER LEFT TABLE, REAR SET                    T6-5-10590**

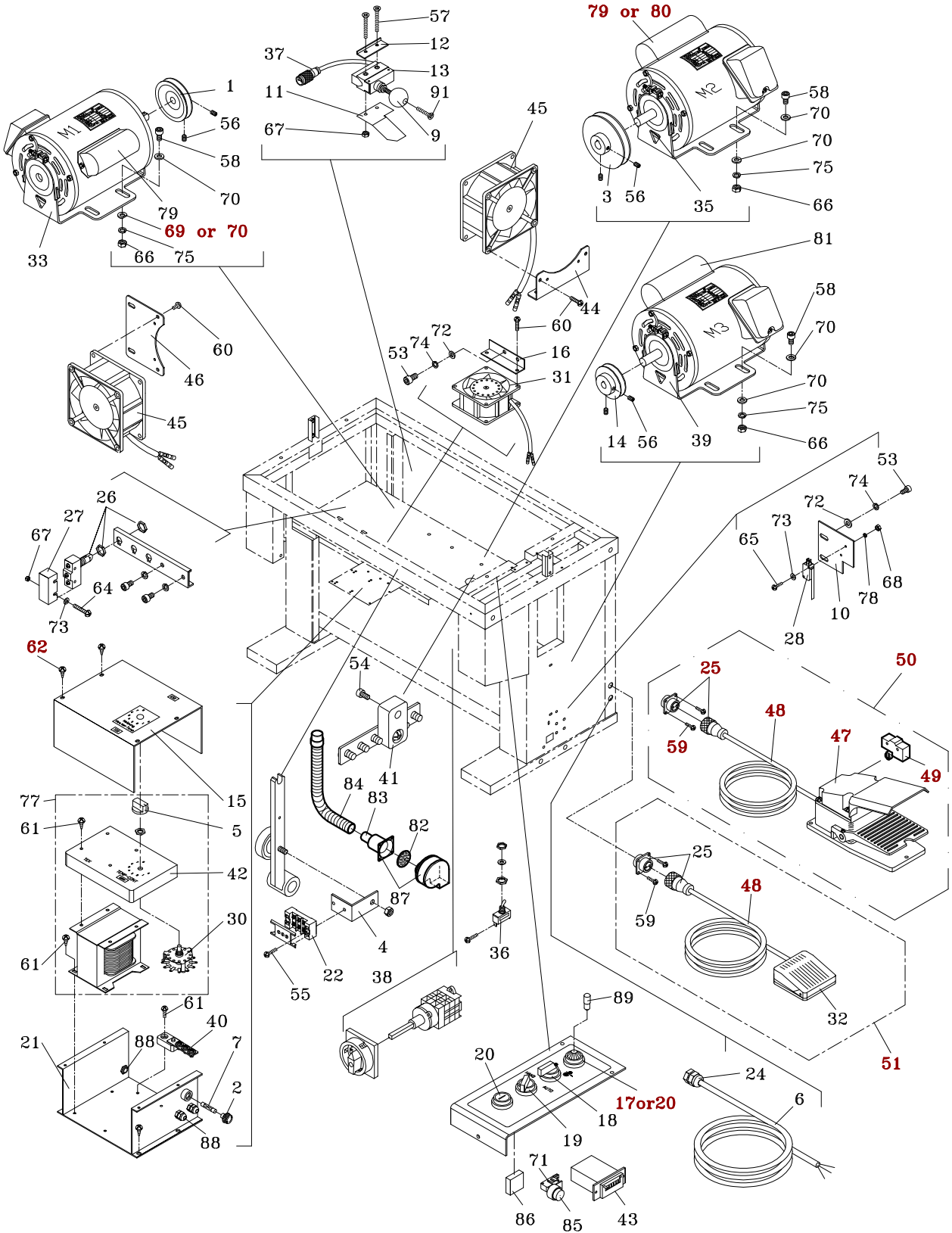
REF. NO.	PART NO.	DESCRIPTION	Q'TY	REMARKS
6	TMS0612	TMS, M6x12	2	
	TMS0612S	TMS, M6x12 (Stainless Steel Model)	2	
8	SW06	SW, M6	2	
	SW06S	SW, M6 (Stainless Steel Model)	2	

## 6

**ELECTRIC CONTROL UNIT T6-6-90000**

REF. NO.	PART NO.	DESCRIPTION	Q'TY	REMARKS
1	T6-6-10030	Electric Control Group (For 220V/1PH)	1	SEE PAGE 63
	T6-6-10008	Electric Control Group (For 100V/1PH)	1	
	T6-6-10009	Electric Control Group (For 110V/1PH)	1	
	T6-6-10019	Electric Control Group (For 240V/1PH)	1	
	T6-6-10026	Electric Control Group (For 220V/3PH)	1	
	T6-6-10027	Electric Control Group (For 380V/3PH)	1	
	T6-6-10028	Electric Control Group (For 415V/3PH)	1	
2	T6-6-30024	Electric Box Group (For TP-6000-1)	1	SEE PAGE 66
	T6-6-40027	Electric Box Group (For TP-6000CE1)	1	
	T6-6-50001	Electric Box Group (For TP-6000-3)	1	
	T6-6-50002	Electric Box Group (For TP-6000CE3)	1	

# 6-1 ELECTRIC CONTROL GROUP T6-6-10030



## 6-1 ELECTRIC CONTROL GROUP T6-6-10030

REF. NO.	PART NO.	DESCRIPTION	Q'TY	REMARKS
	T6-6-10030	Electric Control Group (For 220V/1PH)	1	
	T6-6-10008	Electric Control Group (For 100V/1PH)	1	
	T6-6-10009	Electric Control Group (For 110V/1PH)	1	
	T6-6-10019	Electric Control Group (For 240V/1PH)	1	
	T6-6-10026	Electric Control Group (For 220V/3PH)	1	
	T6-6-10027	Electric Control Group (For 380V/3PH)	1	
	T6-6-10028	Electric Control Group (For 415V/3PH)	1	
1	T6-6-10110	Motor (M1) Pulley (For 3PH)	1	
	T6-6-30002	Motor (M1) Pulley (For 1PH)	1	
2	TG-013	Fuse Holder (For CE)	1	
3	T6-6-10130	Motor (M2) Pulley (For 3PH)	1	
	T6-6-30005	Motor (M2) Pulley (For 1PH)	1	
4	T6-6-10140	Heater Terminal Bracket	1	
5	TF-025	Knob	1	
6	T6-6-10163	Cap Tire (For 3PH)	1	
	T6-6-10161	Cap Tire (Europe Plug)(For 1PH)	1	
	T6-6-10162	Cap Tire (America Plug)(For 1PH)	1	
7	T6-6-40007	Fuse 15A (For CE)	1	
9	T6-6-10190	Limit Switch Ball	1	
10	T6-6-10200	Limit Switch Base	1	
11	T6-6-10210	Limit Switch Fixing Plate	1	
12	T6-6-10220	Limit Switch Cover	1	
13	T6-6-10230	ML, Limit Switch	1	
14	T6-1-71160	Feed Roller Pulley	1	
15	T6-6-40002	Transformer Box Cover	1	
	<b>T6-6-40002S</b>	<b>Transformer Box Cover (Stainless Steel Model)</b>	<b>1</b>	
16	T6-6-10260	Smoke Fan Bracket	1	
17	T6-6-30011	Power Selector Switch	1	
	T6-6-40018	Power Light (For TP-6000CE)	1	
	<b>T6-6-10301</b>	<b>Start Switch With Lamp (Option)</b>	<b>1</b>	
18	T6-6-30010	Auto-return Selector Switch	1	
19	T6-6-30009	Stop Switch 1NC	1	
	T6-6-40016	2P. Selector Switch	1	
20	T6-6-30008	Mushroom Head Switch (Start)	1	
	T6-6-40015	Push Button Switch (Start, Reset)	1	
	T6-6-10301	Start Switch With Lamp (Option)	1	

**6-1 ELECTRIC CONTROL GROUP T6-6-10030**

REF. NO.	PART NO.	DESCRIPTION	Q'TY	REMARKS
21	T6-6-40006	Transformer Box	1	
	<del>T6-6-40006S</del>	<del>Transformer Box (Stainless Steel Model)</del>	<del>1</del>	
22	T6-6-10320	Heater Terminal	1	
24	T6-6-10340	Cable Gland (PG13.5)	1	
25	T6-6-10350	Foot Switch Consent	1	
26	T6-6-10360	Limit Switch (LS1-3)	3	
27	T6-6-10370	Limit Switch Cover (LS1-3)	3	
28	T6-6-10380	Limit Switch (LS4)	1	
30	TF-027	Selector Switch	1	
31	TF-021	Fan (For 110V)	1	
	TF-021-1	Fan (For 220V/230V/240V)	1	
32	T6-6-10420	Foot Selector Switch	1	
33	T6-6-30060	Motor (M1) (For 220V/1PH)	1	
	T6-6-30050	Motor (M1) (For 100V/1PH)	1	
	T6-6-30051	Motor (M1) (For 110V/1PH)	1	
	T6-6-30052	Motor (M1) (For 240V/1PH)	1	
	T6-6-10442	Motor (M1) (For 220V/3PH)	1	
	T6-6-10444	Motor (M1) (For 380V/3PH)	1	
	<del>T6-6-10441</del>	<del>Motor (M1) (For 415V/3PH)</del>	<del>1</del>	
35	T6-6-30070	Motor (M2) (For 220V/1PH)	1	
	T6-6-30053	Motor (M2) (For 100V/1PH)	1	
	T6-6-30054	Motor (M2) (For 110V/1PH)	1	
	T6-6-30055	Motor (M2) (For 240V/1PH)	1	
	T6-6-10442	Motor (M2) (For 220V/3PH)	1	
	T6-6-10444	Motor (M2) (For 380V/3PH)	1	
	<del>T6-6-10441</del>	<del>Motor (M2) (For 415V/3PH)</del>	<del>1</del>	
36	T6-6-10460	Snap Switch (For Non CE Only)	1	
37	T6-6-40023	Switch Connector (For CE)	1	
38	T6-6-40010	Main Power Switch (For CE)	1	

## 6-1                      ELECTRIC CONTROL GROUP                      T6-6-10030

REF. NO.	PART NO.	DESCRIPTION	Q'TY	REMARKS
39	T6-6-30080	Motor (M3) (For 220V/1PH)	1	
	T6-6-30056	Motor (M3) (For 100V/1PH)	1	
	T6-6-30057	Motor (M3) (For 110V/1PH)	1	
	T6-6-30058	Motor (M3) (For 240V/1PH)	1	
	T6-6-10442	Motor (M3) (For 220V/3PH)	1	
	T6-6-10444	Motor (M3) (For 380V/3PH)	1	
	T6-6-10445	Motor (M3) (For 415V/3PH)	1	
40	T6-6-30200	Earth Plate (3P) (For CE)	1	
41	T5-4-10310	Earth Plate (5P) (For CE)	1	
42	TF-024	Transformer Cover	1	
43	T6-6-10530	Counter (Option)	1	
44	T6-6-10540	Bracket (For M2 Fan, 1PH)	1	
45	T6-6-10550	Fan (For M1/M2 Motor, 110V/1PH)	2	
	T6-6-10551	Fan (For M1/M2 Motor, 230V/1PH)	2	
46	T6-6-10560	Bracket (For M1 Fan, 1PH)	1	
47	T6-6-10421	Foot Selector Switch (Option)	1	
48	T7-5-20180	Power Cord	1	
49	T7-5-20130	Micro Switch (Option)	1	
50	T7-6-40001	Pedal Control Set (Option)	1	
51	T6-6-11000	Pedal Control Set	1	
53	HBS0510	HBS, M5x10	4	
54	HBS0512	HBS, M5x12 (For CE)	1	
55	PMS0410	PMS, M4x10	2	
56	HSS0610	HSS, M6x10	4	
57	FMS0435S	FMS, M4x35 (SUS)	2	
58	HBS0620	HBS, M6x20	10	
	HBS0625	HBS, M6x25	2	
59	TMS0308	TMS, M3x8	4	
60	TMS0508	TMS, M5x8	6	
61	TMS0408	TMS, M4x8	9	
62	TMS0408	TMS, M4x8	4	
	TMS0408S	TMS, M4x8 (Stainless Steel Model)	4	
64	PMS0425	PMS, M4x25	6	
65	PMS0315	PMS, M3x15	2	
66	HN06	HN, M6	12	
67	HN04	HN, M4	8	
68	HN03	HN, M3	2	

## 6-1                      ELECTRIC CONTROL GROUP                      T6-6-10030

REF. NO.	PART NO.	DESCRIPTION	Q'TY	REMARKS
69	PW06D	PW, M6 (D)(For 1PH)	2	
70	PW06C	PW, M6 (C)(For 1PH)	22	
		PW, M6 (C)(For 3PH)	24	
71	TF-006	Micro Switch (Option)	1	
72	PW05	PW, M5	4	
73	PW04	PW, M4	14	
74	SW05	SW, M5	3	
75	SW06	SW, M6	12	
77	T6-6-10172	Heater Transformer Ass'y (For 110V)	1	
	T6-6-10171	Heater Transformer Ass'y (For 220V/ 230V/240V)	1	
	T6-6-10173	Heater Transformer Ass'y (For 100V)	1	
78	SW03	SW, M3	2	
79	T6-6-10892	Motor starting capacitor (For M1, 100V/1PH)	1	
	T6-6-10895	Motor starting capacitor (For M1/M2, 220V/1PH)	2	
	T6-6-10893	Motor starting capacitor (For M1/M2, 110V/1PH)	2	
	T6-6-10894	Motor starting capacitor (For M1/M2, 240V/1PH)	2	
80	T6-6-10902	Motor starting capacitor (For M2, 100V/1PH)	1	
81	T6-6-10915	Motor starting capacitor (For M3, 220V/1PH)	1	
	T6-6-10912	Motor starting capacitor (For M3, 100V~110V/1PH)	1	
	T6-6-10914	Motor starting capacitor (For M3, 240V/1PH)	1	
82	T6-6-10920	Active Carbon Filter (Option)	1	
83	T6-6-10930	Nipple (Option)	1	
84	T6-6-10940	Smoke-Exhaustion Pipe (Option)	1	
85	T6-6-10950	Reset Switch (For S.F.S)	1	
86	T6-6-10960	Relay (For S.F.S)	1	
87	T6-6-10970	Fan (For Smoke)(Option)	1	

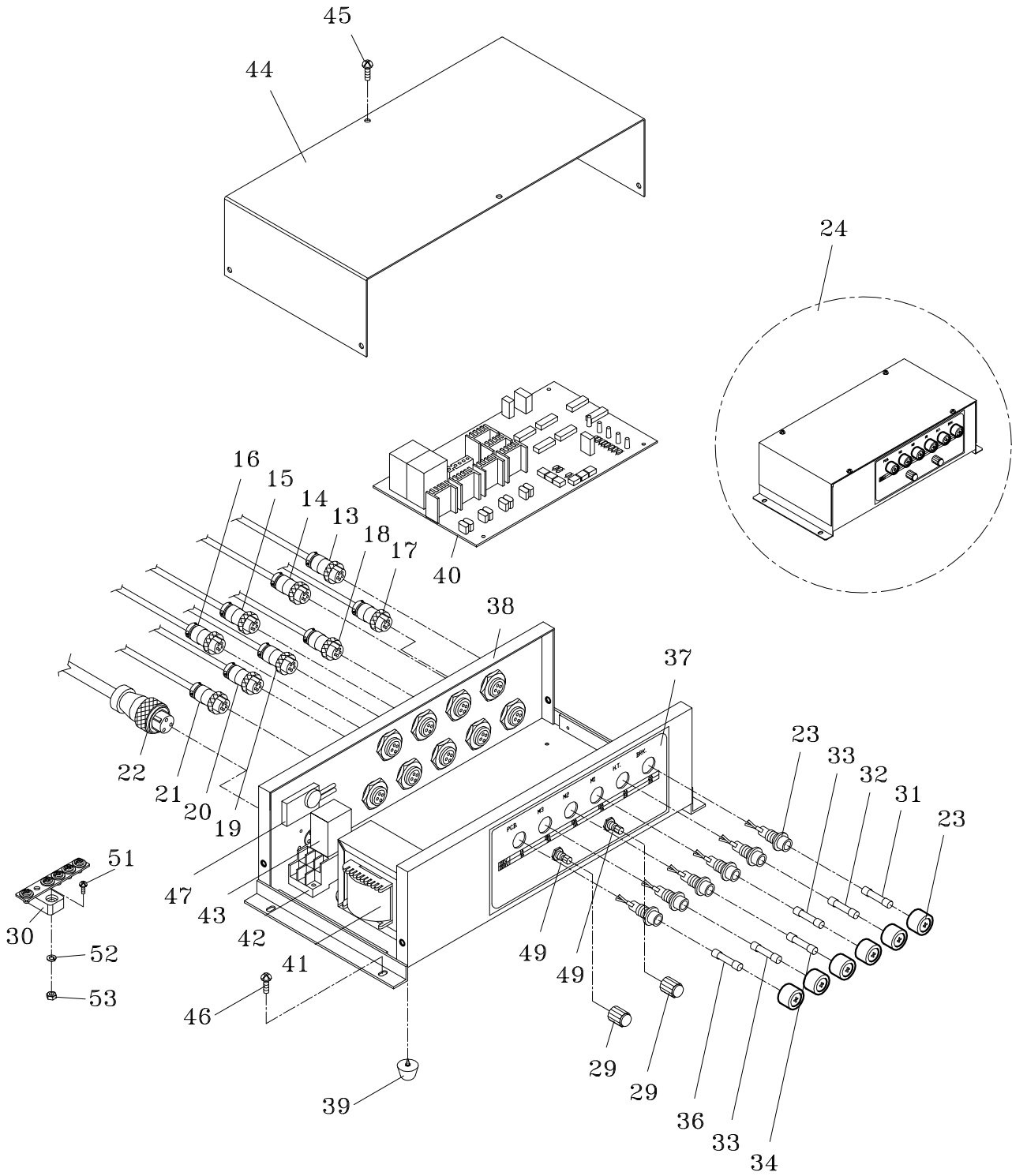


**6-1****ELECTRIC CONTROL GROUP****T6-6-10030**

REF. NO.	PART NO.	DESCRIPTION	Q'TY	REMARKS
88	T6-6-10980	Cable Gland (PG11)	3	
89	T6-6-30135	Lamp	1	
91	FTP0416A	FTP, 4x16 (A)	1	

6-2

**ELECTRIC CONTROL GROUP T6-6-30024  
T6-6-40027**



TP-6000-1/TP-6000CE1

## 6-2

## ELECTRIC CONTROL GROUP

T6-6-30024

T6-6-40027

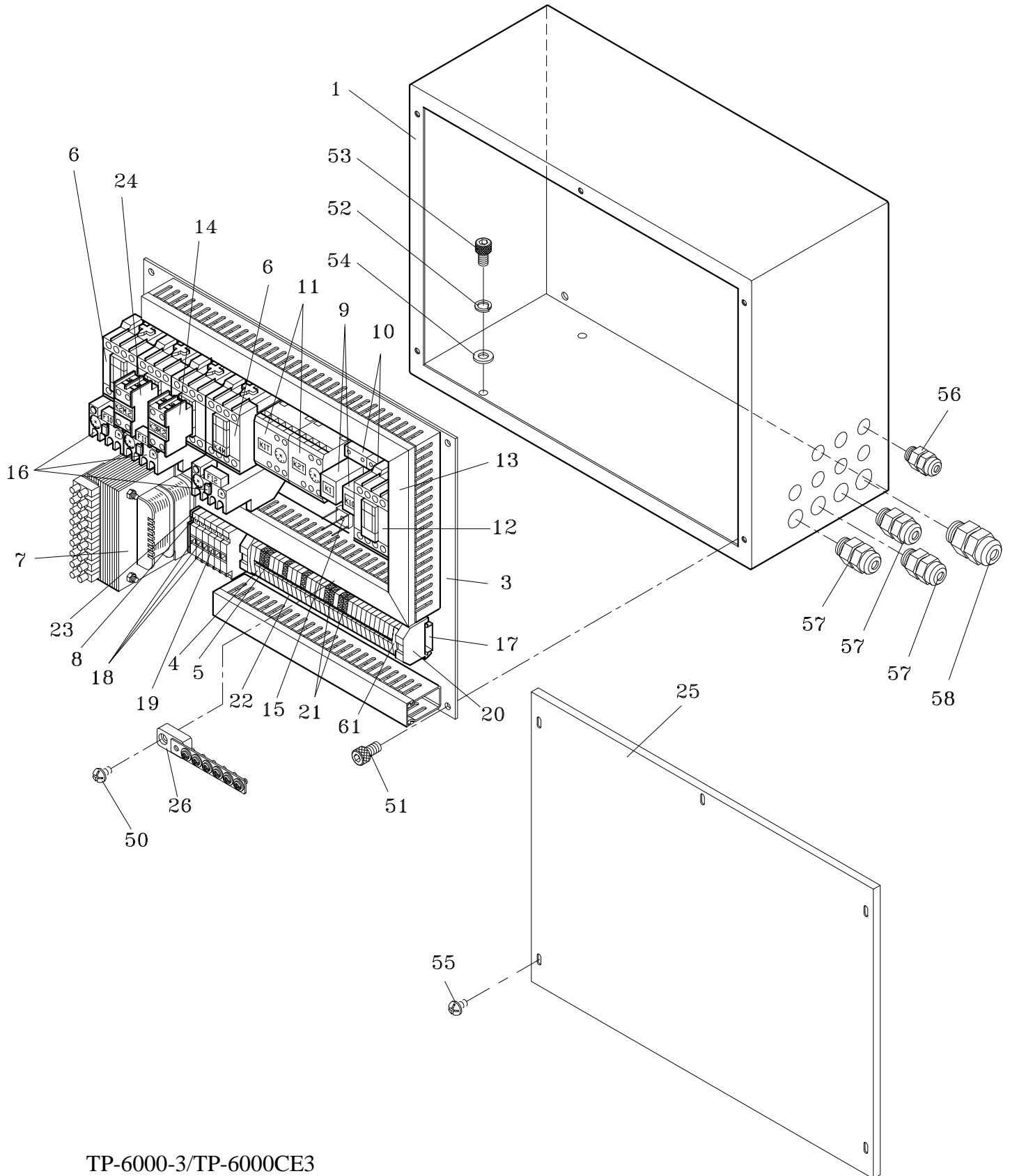
REF. NO.	PART NO.	DESCRIPTION	Q'TY	REMARKS
	T6-6-30024	Electric Control Group (For 1PH, Non CE)	1	
	T6-6-40027	Electric Control Group (For 1PH, CE)	1	
13	T6-6-30013	Connector (LS1.2.3.)	1	
14	T6-6-30014	Connector (Switch 2)	1	
15	T6-6-30015	Connector (Switch 1)	1	
16	T6-6-30016	Connector (LS4/Foot)	1	
17	T6-6-30017	Connector (Braker)	1	
18	T6-6-30018	Connector (Heater)	1	
19	T6-6-30019	Connector (M1)	1	
20	T6-6-30020	Connector (M2)	1	
21	T6-6-30021	Connector (M3)	1	
22	T6-6-30022	Connector (Power)	1	
23	T5-4-10160	Fuse Holder	6	
24	T6-6-30137	Electric Control Unit (For Non CE)	1	
	T6-6-40053	Electric Control Unit (For CE)	1	
29	T6-6-30029	Knob	2	
30	T5-4-10310	Earth Plate (5P) (For CE)	1	
31	T6-6-30031	Fuse (2A)(For 220V/230V/240V)	1	
32	T6-6-30032	Fuse (3A)(For 220V/230V/240V)	1	
	T6-6-30134	Fuse (6A)(For 110V)	1	
33	T6-6-30033	Fuse (5A)(For 220V/230V/240V)	2	
	T6-6-30133	Fuse (10A)(For 110V)	2	
34	T6-6-30034	Fuse (7A)(For 220V/230V/240V)	1	
	T6-6-30133	Fuse (10A)(For 110V)	1	
36	T6-6-30036	Fuse (1A)	1	
37	LA-20070	Label	1	
38	T6-6-30038	Electric Box	1	
39	T6-6-30039	Cushion	4	
40	T6-6-30040	P.C. Board	1	
41	T6-6-30041	Transformer	1	
42	T6-6-30042	Relay Socket (For Non CE )	1	
43	T6-6-30043	Relay (For Non CE )	1	
44	T6-6-30044	Cover	1	
45	PMS0306	PMS, M3x6	8	

**6-2****ELECTRIC CONTROL GROUP****T6-6-30024****T6-6-40027**

REF. NO.	PART NO.	DESCRIPTION	Q'TY	REMARKS
46	TMS0508	TMS, M5x8	4	
47	T6-6-30047	EMI Filter	1	
49	T6-6-30049	Variable Resistor (1M)	2	
51	TMS0412	TMS, M4x12 (For CE)	1	
52	SW04	SW, M4 (For CE)	1	
53	HN04	HN, M4 (For CE)	1	

## 6-2

# ELECTRIC CONTROL GROUP T6-6-50001 T6-6-50002



TP-6000-3/TP-6000CE3

**6-2****ELECTRIC CONTROL GROUP****T6-6-50001****T6-6-50002**

REF. NO.	PART NO.	DESCRIPTION	Q'TY	REMARKS
	T6-6-50001	Electric Control Group (For 3PH, Non CE)	1	
	T6-6-50002	Electric Control Group (For 3PH, CE)	1	
1	T6-6-50110	Electric Box	1	
3	T6-6-50130	Panel	1	
4	T6-6-50140	Terminal (Ground)	5	
5	T6-6-50150	Terminal (Control)(Single in, single out)	22	
6	T6-6-50160	Magnetic Switch	4	
7	T6-6-50170	Transformer (For 220V, 380V, 415V/24V)	1	
8	T6-6-50180	Fuse Holder	5	
		Brake Fuse Holder (For CE )	1	
9	T6-6-50190	Relay	2	
10	T6-6-50200	Relay Socket	2	
11	T6-6-50210	Timer	2	
12	T6-6-50220	Magnetic Switch (For Non CE only)	1	
13	T6-6-50230	Wire Duct 25x45	1set	
14	T6-6-50240	ADD-ON Contact (M2F) (2a)	1	
15	T6-6-50250	Rectifier	1	
16	T6-6-50260	Over Load Relay	3	
17	T6-6-50270	Terminal Guide	1	
18	T6-6-50280	Fuse (5A)	3	
19	T6-6-50290	Fuse (2A)	2	
20	T6-6-50300	End Stop	2	
21	T6-6-50310	Terminal (Control)(Two in, two out)	2	
22	T6-6-50320	Group Marker Carrier	4	
23	T6-6-50330	End Plate (Fuse)	1	
24	T6-6-50340	ADD-ON Contact (M2R) (1a1b)	1	
25	T6-6-50350	Cover	1	
26	T6-6-10250	Earth Plate (6P) (For CE)	1	
50	TMS0512	TMS, M5x12 (For CE)	1	
51	HBS0616	HBS, M6x16	4	
52	SW05	SW, M5	3	
53	HBS0510	HBS, M5x10	3	
54	PW05	PW, M5	3	

**6-2****ELECTRIC CONTROL GROUP****T6-6-50001****T6-6-50002**

REF. NO.	PART NO.	DESCRIPTION	Q'TY	REMARKS
55	TMS0508	TMS, M5x8	5	
56	T5-2-10500	Cable Gland (PG9)	7	
57	T6-6-10980	Cable Gland (PG11)	3	
58	T6-6-10340	Cable Gland (PG13.5)	1	
59	SW06	SW, M6	4	
60	HN06	HN, M6	4	
61	T6-6-50410	End Plate (Control)	1	

01/2008