

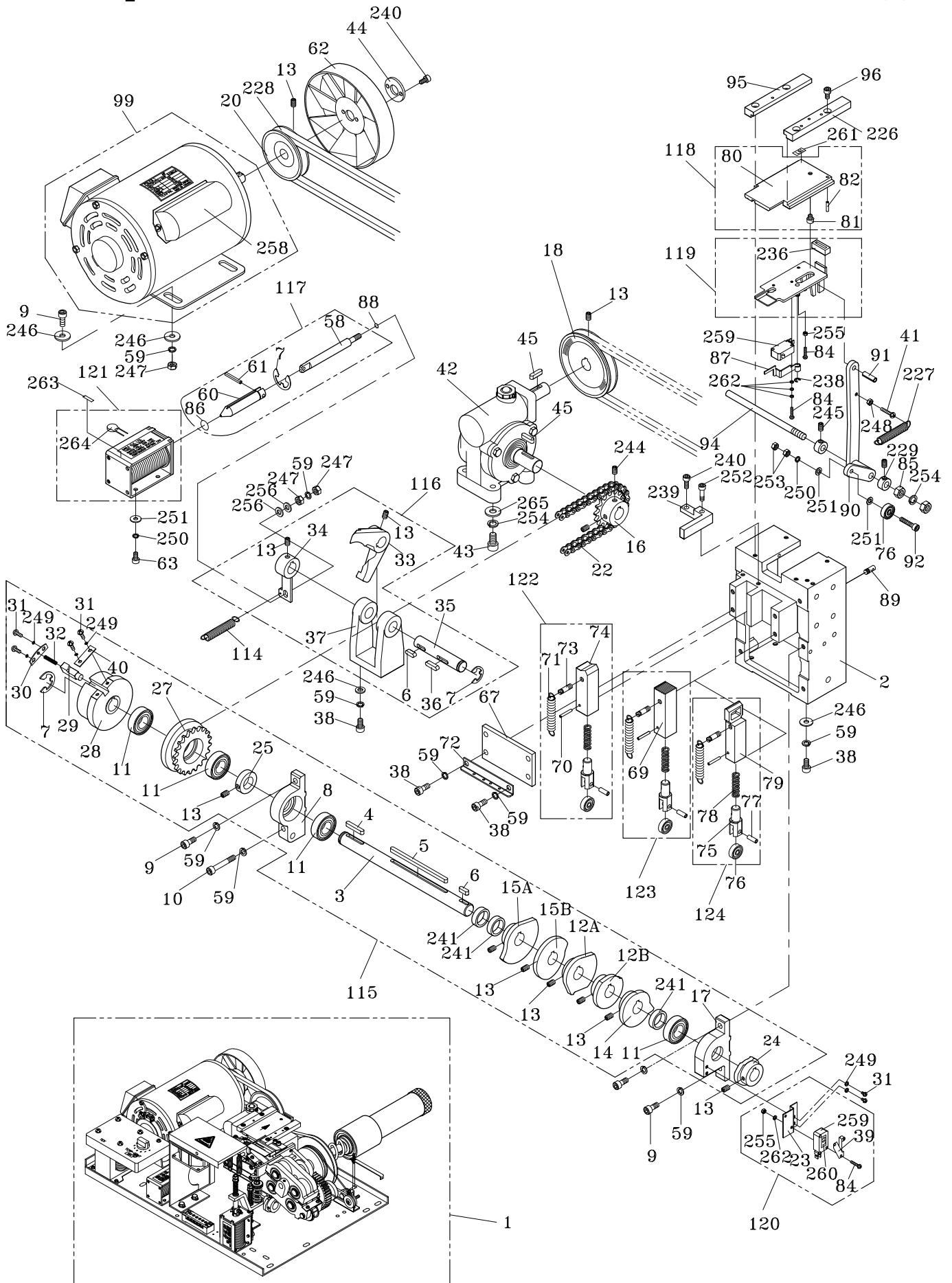
PART II

CONTENTS

1. Spare Parts List	1
---------------------------	---

1. Spare Parts List

MACHINE ASSEMBLY DRAWING (A)



REF. NO.	PART NO.	DESCRIPTION	Q'TY	REMARKS
1	TA-900	Strapping Head Unit (For TP-202)	1	
	TA-901	Strapping Head Unit (For TP-201)	1	
	TA-901S	Strapping Head Unit (Stainless Steel Model)(For TP-201CES)	1	
	TA-902	Strapping Head Unit (For TP-201Y)	1	
	TA-902S	Strapping Head Unit (Stainless Steel Model)(For TP-201YS)	1	
	TA-903	Strapping Head Unit (For TP-203)	1	
2	T5-1-10110	Main Body Block	1	
3	TA-003	Cam Shaft	1	
4	KYA050530	Key, 5×5×30	1	
5	KYA0505101	Key, 5×5×101	1	
6	KYA050515	Key, 5×5×15	2	
7	ER12	Snap Ring, E-12	3	
8	TA-008-2	Bearing Support (L)	1	
9	HBS0620	HBS, M6×20	6	
10	HBS0645H	HBS, M6×45 (H)	1	
11	BR6003ZZ	Bearing, 6003ZZ	4	
12A	TA-012A	Grip Cam	1	
12B	TA-012B	Grip Cam	1	
13	HSS0608G	HSS, M6×8 (G)	13	
14	TA-014	Separator Cam	1	
15A	TA-015A	Rear Bar Cam	1	
15B	TA-015B	Heater Cam	1	
16	TA-016	Sprocket	1	
17	TA-017-2	Bearing Support (R)	1	
18	TA-018	Pulley	1	
20	TA-020	Pulley	1	
22	TA-022	Chain	1	
23	TF-002	Micro Switch Bracket	1	
24	TA-024	Back Cam	1	
25	TA-025	Collar	1	
27	TA-027	Sprocket	1	
28	TA-028	Housing	1	

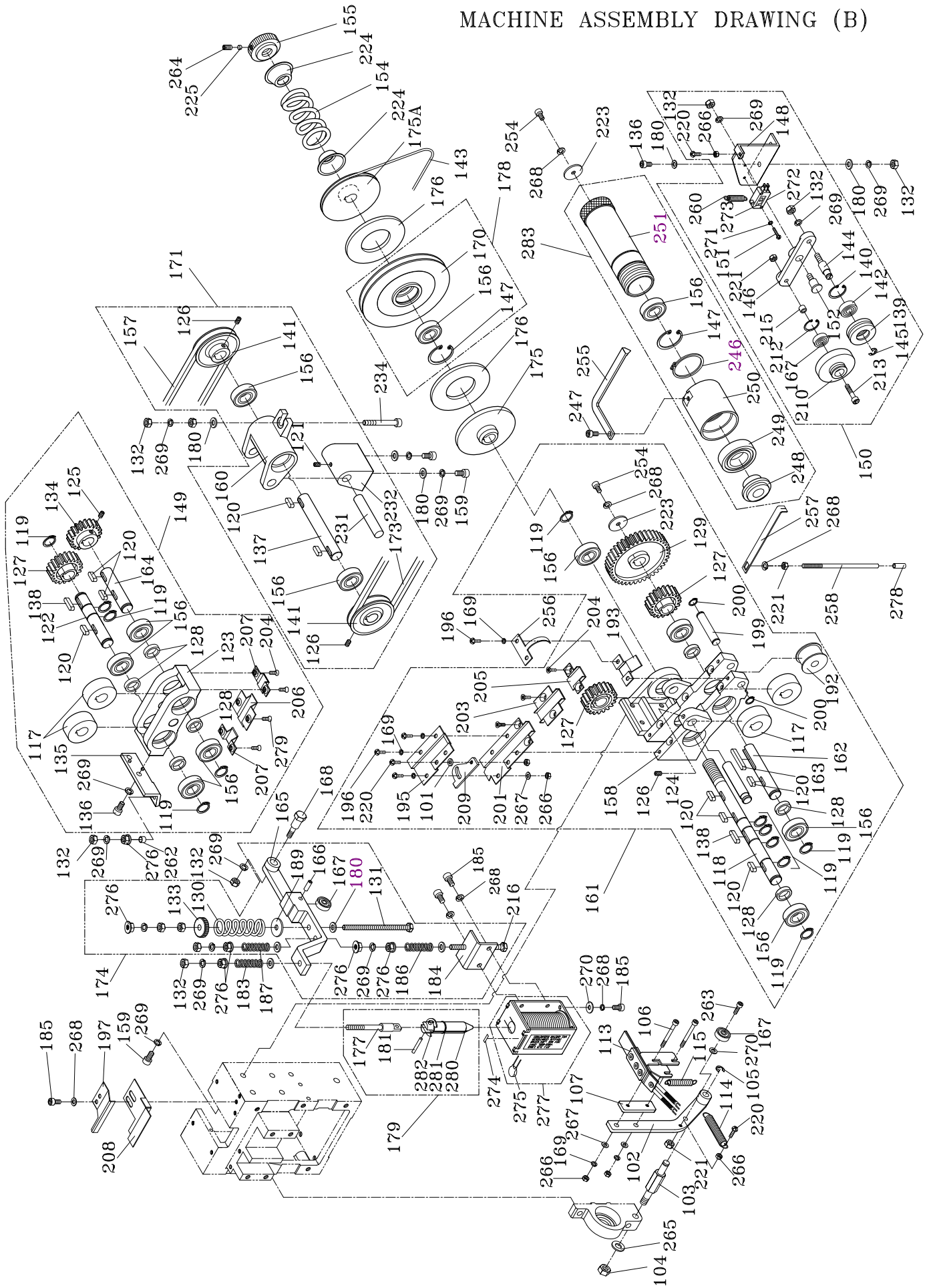
REF. NO.	PART NO.	DESCRIPTION	Q'TY	REMARKS
29	TA-029	Pin	1	
30	TA-030	Holder	1	
31	PMS0408	PMS, M4×8	6	
32	TA-032	Spring	1	
33	TA-033	Stop Arm	1	
34	TA-034	Clutch Arm	1	
35	TA-035	Shaft	1	
36	KYA050520	Key, 5×5×20	1	
37	TA-037	Clutch Support	1	
38	HBS0616	HBS, M6×16	14	
39	TF-009	Switch Trigger	1	
40	TA-040	Guide	1	
41	PMS0420	PMS, M4×20	1	
42	TA-042	Gear Box	1	
43	HBS0820	HBS, M8×20	4	
44	TF-022	Washer	1	
45	KYA050525	Key, 5×5×25	2	
58	TA-058	Pull Shaft	1	
59	SW06	SW, M6	19	
60	TA-060	Solenoid Shaft	1	
61	SP0414	Spring Pin, 4×14	1	
62	TF-028	Fan	1	
63	HBS0510	HBS, M5×10	4	
67	TA-067	Bar Guide Lid	1	
69	TA-069	Press Bar	1	
	TA-069S	Press Bar (Stainless Steel Model)	1	
70	SP0318	Spring Pin, 3×18	3	
71	TA-071	Return Spring	3	
72	TA-072	Spring Hook	1	
73	TA-073	Spring Hook	3	
74	TA-074	Rear Bar	1	
	TA-074S	Rear Bar (Stainless Steel Model)	1	

REF. NO.	PART NO.	DESCRIPTION	Q'TY	REMARKS
75	TA-075	Plunger	3	
76	BR635ZZ	Bearing, 635ZZ	4	
77	SP0514	Spring Pin, 5×14	3	
78	TA-078	Spring	3	
79	TA-079	Front Bar	1	
	TA-079S	Front Bar (Stainless Steel Model)	1	
80	TA-080	Slide	1	
	TA-080S	Slide (Stainless Steel Model)	1	
81	HBS0505.2	HBS, M5×5.2	1	
	HBS0505.2S	HBS, M5×5.2 (Stainless Steel Model)	1	
82	SP0314	Spring Pin, 3×14	1	
84	PMS0315	PMS, M3×15	6	
85	HN08	HN, M8	2	
86	TA-086	Seal	1	
87	TA-087	Switch Lever	1	
88	TA-088	Seal (Small)	1	
89	TA-089	Spring Hook	1	
90	TA-090	Arm	1	
91	SP0620	Spring Pin, 6×20	1	
92	HBS0525	HBS, M5×25	1	
94	TA-094	Shaft	1	
95	TA-095	Guide (L)	1	
	TA-095S	Guide (L)(Stainless Steel Model)	1	
96	HBS0512	HBS, M5×12	4	
	HBS0512S	HBS, M5×12 (Stainless Steel Model)	4	
99	TF-001	Motor (For 110V/60HZ)	1	
	TF-001-1D	Motor (For 220V/50HZ)	1	
	TF-001-1B	Motor (For 220V/60HZ)	1	
	TF-001-2	Motor (For 240V/50HZ)	1	
	TF-001-B	Motor (For 100V, 50/60HZ)	1	

REF. NO.	PART NO.	DESCRIPTION	Q'TY	REMARKS
114	TA-114	Spring	1	
115	TA-003A	Cam Ass'y	1	
116	TA-035A	Stop Arm Ass'y	1	
117	TA-058A	Pull Shaft Ass'y	1	
118	TA-080A	Slide Ass'y	1	
	TA-080AS	Slide Ass'y (Stainless Steel Model)	1	
119	TA-083A	Separator Ass'y	1	
	TA-083AS	Separator Ass'y (Stainless Steel Model)	1	
120	TF-002A	Micro Switch Bracket Ass'y	1	
121	TF-003A	D.C.Solenoid Ass'y (For 110V)	1	
	TF-003A-1	D.C.Solenoid Ass'y (For 220V/230V/240V)	1	
122	T5-1-13000	Rear Bar Ass'y	1	
123	T5-1-14000	Press Bar Ass'y	1	
124	T5-1-15000	Front Bar Ass'y	1	
226	TA-226	Guide (R)	1	
	TA-226S	Guide (R)(Stainless Steel Model)	1	
227	TB-114	Return Spring	1	
228	TA-228	Belt	1	
229	TA-229	Collar	2	
236	TA-236	Rubber Buffer	1	
238	ER03	Snap Ring, E-3	1	
239	TA-239	Cutter Holder	1	
240	HBS0516	HBS, M5×16	4	
241	TA-241	Spacer	3	
244	HSS0506G	HSS, M5×6 (G)	2	
245	HSS0606G	HSS, M6×6 (G)	2	
246	PW06C	PW, M6 (C)	16	
247	HN06	HN, M6	6	
248	HN04	HN, M4	1	
249	SW04	SW, M4	4	

REF. NO.	PART NO.	DESCRIPTION	Q'TY	REMARKS
250	SW05	SW, M5	5	
251	PW05	PW, M5	2	
252	HBS0525H	HBS, M5×25 (H)	1	
253	HN05	HN, M5	2	
254	SW08	SW, M8	5	
255	HN03	HN, M3	3	
256	PW06A	PW, M6 (A)	2	
258	TF-044	Start Capacitor (220V/50HZ)	1	
	TF-045	Start Capacitor (220V/60HZ, 240V/50HZ)	1	
	TF-046	Start Capacitor (110V/60HZ)	1	
	TF-047	Start Capacitor (100V/50HZ, 100V/60HZ)	1	
259	TF-006	Micro Switch (LS-1, LS-3)	2	
260	LA-50082	Label (LS-3)	1	
261	LA-50080	Label (LS-1)	1	
262	SW03	SW, M3	8	
263	LA-50084	Label (SOL-2)	1	
264	TF-071	Varistor	1	
265	PW08C	PW, M8 (C)	4	

MACHINE ASSEMBLY DRAWING (B)



REF. NO.	PART NO.	DESCRIPTION	Q'TY	REMARKS
101	PW04	PW, M4	2	
102	TB-102	Heater Arm	1	
103	TB-103	Pin	1	
104	HN08	HN, M8	1	
105	ER06	Snap Ring, E-6	1	
106	HBS0440H	HBS, M4×40 (H)	2	
107	TB-107	Side Plate	1	
113	TB-113	Heater Ass'y	1	
114	TB-114	Return Spring	1	
115	TB-115	Spring	1	
117	TB-117	Roller	4	
118	TB-118	Shaft (For Inside Tension Adjustment)	1	
	TB-118A	Shaft (For Outside Tension Adjustment)	1	
119	SR15	Stop Ring, S-15	10	
120	KYA050515	Key, 5×5×15	9	
121	HSS0506G	HSS, M5×6 (G)	2	
122	TB-122	Shaft	1	
123	TB-123	Holder	1	
124	TB-124	Pin	1	
125	HSS0606G	HSS, M6×6 (G)	1	
126	HSS0508G	HSS, M5×8 (G)	3	
127	TB-127	Gear	3	
128	TB-128	Collar	7	
129	TB-129	Feed Gear	1	
130	TB-130	Spring	1	
131	HB06100	HB, M6×100	1	
132	HN06	HN, M6	12	
133	TB-133	Nut	1	
134	TB-134	Gear	1	
135	TB-135	Holder Arm	1	
136	HBS0616	HBS, M6×16	4	
137	TB-137	Shaft	1	
138	KYA050520	Key, 5×5×20	2	
139	TB-139	Pulley	1	
140	RR22	Snap Ring, H-22	1	

REF. NO.	PART NO.	DESCRIPTION	Q'TY	REMARKS
141	TB-141	Pulley	2	
142	BR608ZZ	Bearing, 608ZZ	1	
143	TB-143	Round Belt	1	
144	TB-144	Shaft	1	
145	ER07	Snap Ring, E-7	1	
146	TB-146	Arm	1	
147	RR32	Snap Ring, H-32	2	
148	TB-148	Bracket	1	
149	TB-123B	Roller Holder Ass'y	1	
150	TB-210A	Roller Bracket Ass'y	1	
151	PMS0315	PMS, M3×15	2	
152	TB-152	Shaft	1	
154	TB-154	Spring	1	
155	TB-155	Nut	1	
156	BR6002ZZ	Bearing, 6002ZZ	12	
157	TB-157	V-Belt	1	
158	TB-158	Bracket	1	
159	HBS0620	HBS, M6×20	6	
160	TB-160	Bracket	1	
161	TB-158A	Bracket Ass'y	1	
162	TB-162	Shaft	1	
163	KYA050538	Key, 5×5×38	1	
164	TB-164	Shaft	1	
165	TB-165	Feed Arm	1	
166	SP0520	Spring Pin, 5×20	1	
167	BR635ZZ	Bearing, 635ZZ	3	
168	TB-168	Arm Pin	1	
169	SW04	SW, M4	6	
170	TB-170	Pulley	1	
171	TB-160B	Bracket Ass'y	1	
173	TB-173	V-Belt	1	
174	TB-165A	Feed Arm Ass'y	1	
175	TB-175	Plate	1	
175A	TB-175A	Plate	1	
176	TB-176	Friction Disc	2	
	TJ-025	Friction Disc (Only TP-203)	2	

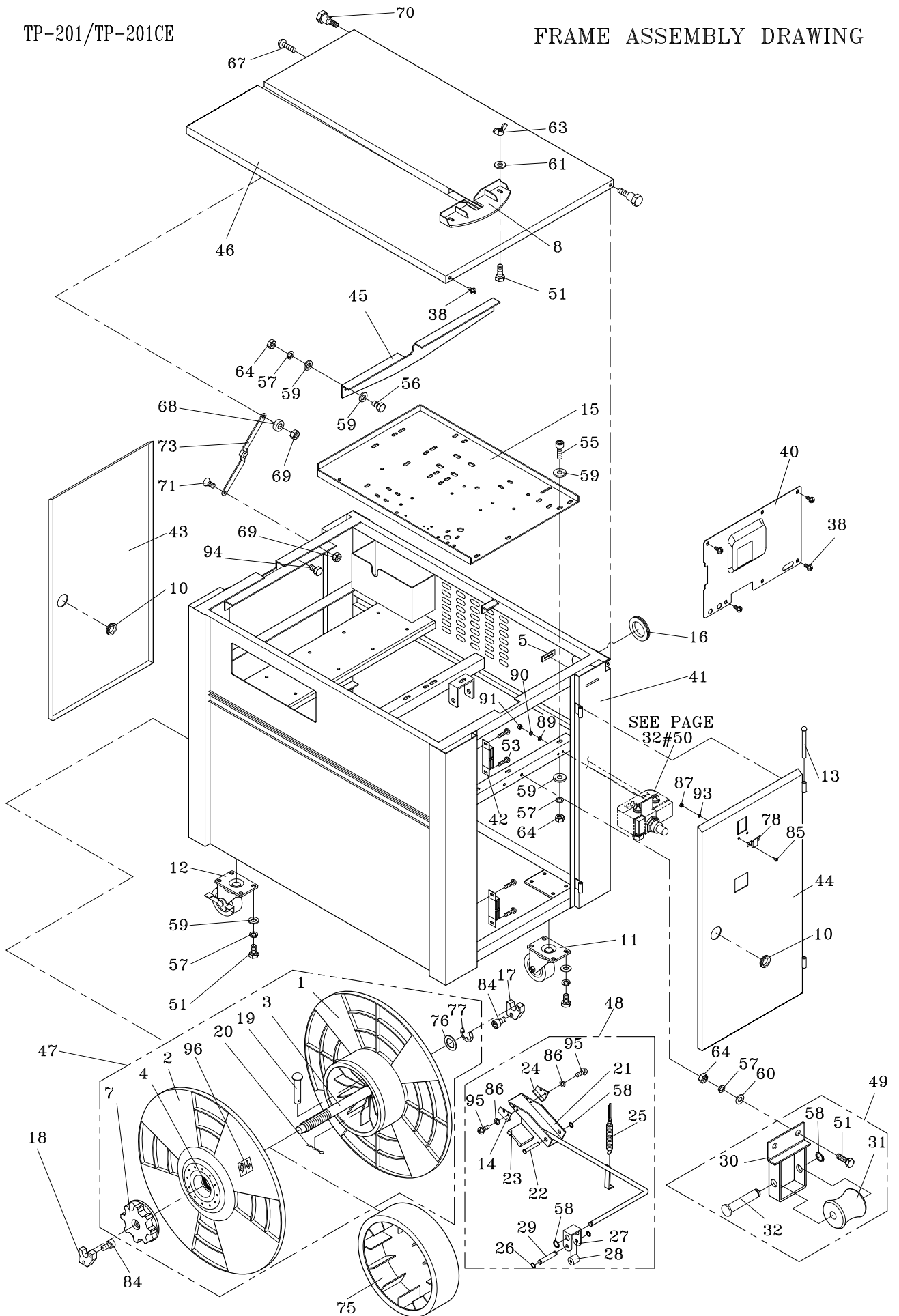
REF. NO.	PART NO.	DESCRIPTION	Q'TY	REMARKS
177	TB-177	Pull Shaft	1	
178	TB-170A	Pulley Ass'y	1	
179	TB-177A	Pull Shaft Ass'y	1	
180	PW06A	PW, M6 (A)	19	
181	SP0414	Spring Pin, 4×14	1	
183	TB-183	Spring	1	
184	TB-184	Stop Bracket	1	
185	HBS0510	HBS, M5×10	6	
186	TB-186	Spring	1	
187	TB-187	Spring	1	
189	TB-189	Retainer	1	
192	TB-192	Roller	1	
193	TB-193	Cover	1	
195	TB-195	Outlet Cover	1	
196	PMS0410	PMS, M4×10	7	
197	TB-197	Guide Front	1	
199	TB-199	Pin	1	
200	SR10	Stop Ring, S-10	2	
201	TB-201	Outlet Guide	1	
203	TB-203	Guide	1	
	TB-203L	Guide (Longer)(Option)	1	
204	FMS0408	FMS, M4×8	10	
205	TB-205	Guide	1	
206	TB-206	Cover	1	
207	TB-207	Cover-Side	2	
208	TB-208	Front Plate	1	
209	TB-209	Band Plate	1	
210	TB-210	Pulley	1	
212	RR19	Snap Ring, H-19	1	
213	HBS0525H	HBS, M5×25 (H)	1	
215	TB-215	Collar	1	
216	HB0680	HB, M6×80	1	
220	PMS0412	PMS, M4×12	3	
221	HN05	HN, M5	3	

REF. NO.	PART NO.	DESCRIPTION	Q'TY	REMARKS
223	TB-223	Washer	2	
224	TB-224	Spring Retainer	2	
225	TB-225	Bushing	1	
231	TB-231	Pin	1	
232	TB-232	Bracket	1	
234	HBS0665H	HBS, M6×65 (H)	1	
246	SR40	Stop Ring, S-40	1	
247	HBS0506	HBS, M5×6	1	
248	TB-248	Spring Retainer	1	
249	BR6005ZZ	Bearing, 6005ZZ	1	
250	TB-250	Tube A	1	
251	TB-251	Tube B	1	
	TJ-251	Tube B (Only TP-203)	1	
254	HBS0512	HBS, M5×12	2	
255	TB-255	Fix Arm (Only TP-201)	1	
256	TB-256	Corrector	1	
257	TB-257	Fix Arm (For TP-202/TP-202L)	1	
258	TB-258	Bolt (For TP-202/TP-202L)	1	
260	T7-3-40480	Spring (Only TP-201Y)	1	
262	TB-262	Tube	1	
263	HBS0516	HBS, M5×16	1	
264	HSS0606G	HSS, M6×6 (G)	1	
265	SW08	SW, M8	1	
266	HN04	HN, M4	7	
267	PW04	PW, M4	3	
268	SW05	SW, M5	6	
269	SW06	SW, M6	15	
270	PW05	PW, M5	1	
271	SW03	SW, M3	2	
272	TF-007	Micro Switch (LS-2)	1	
273	LA-50081	Label (LS-2)	1	
274	LA-50083	Label (SOL-1)	1	
275	TF-071	Varistor	1	

REF. NO.	PART NO.	DESCRIPTION	Q'TY	REMARKS
276	FLG06	FLG, M6	6	
277	TF-003A	D.C. Solenoid Ass'y (For 110V)	1	
	TF-003A-1	D.C. Solenoid Ass'y (For 220V/230V/240V)	1	
278	TB-263	Tube	1	
279	FMS0406	FMS, M4×6	2	
280	TA-060	Solenoid Shaft	1	
281	TA-086	Seal	1	
282	ER12	Snap Ring, E-12	1	
283	TB-264	Tension Adjusting Ass'y	1	
	TJ-252	Tension Adjusting Ass'y (Only TP-203)	1	

TP-201/TP-201CE

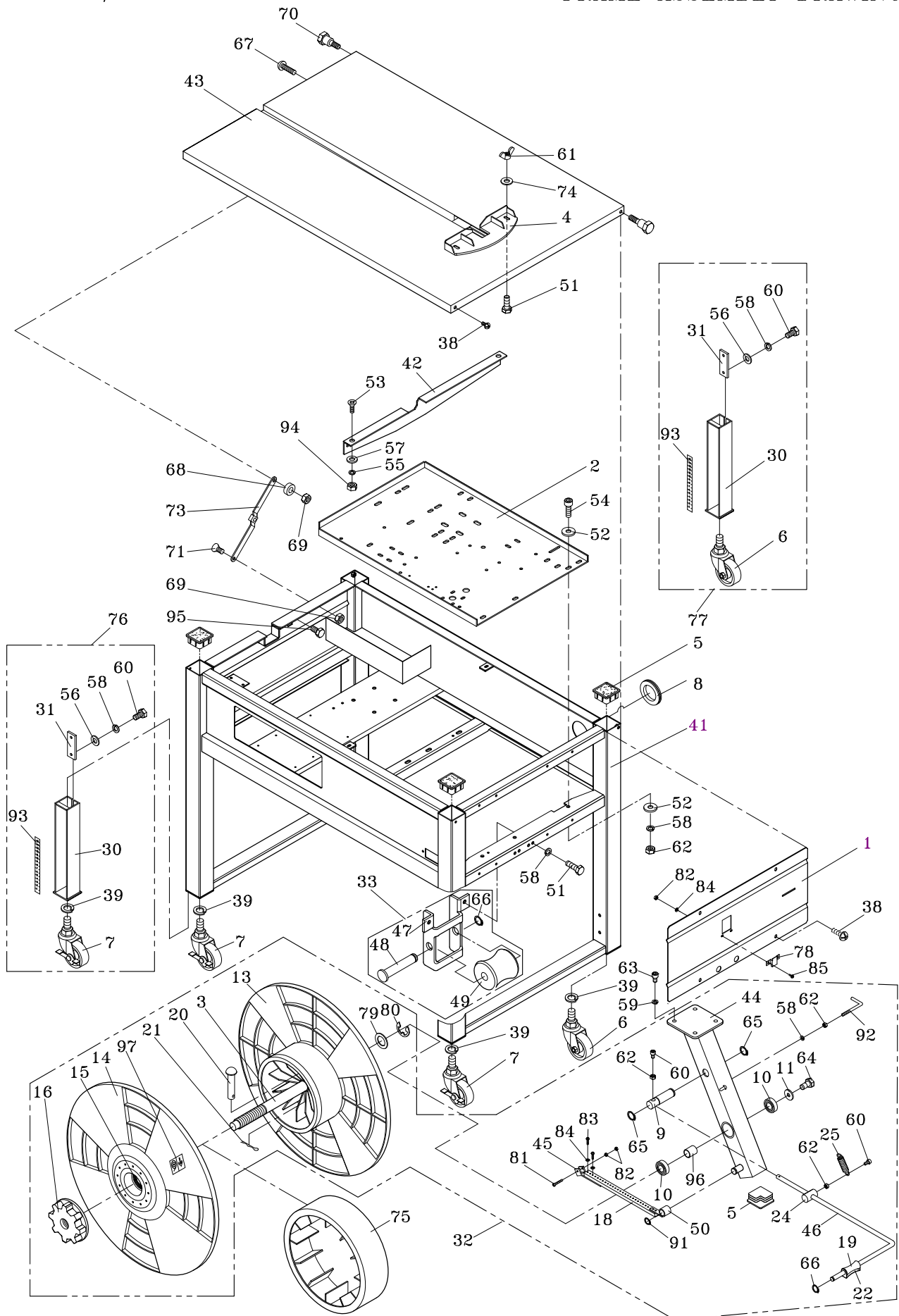
FRAME ASSEMBLY DRAWING



REF. NO.	PART NO.	DESCRIPTION	Q'TY	REMARKS
1	TE-001	Inner Flange	1	
2	TC-014	Outer Flange	1	
3	TE-003	Shaft	1	
4	TC-015	Protector	1	
5	TB-255-1	Rubber	1	
7	TC-016	Reel Nut Handle	1	
8	TC-004	Package Guide	1	
10	TE-010	Grommet	2	
11	TE-011	Caster (Free)	2	
12	TE-012	Caster (Brake)	2	
13	TE-013	Lock Pin	4	
	TE-013S	Lock Pin (Stainless Steel Model)	4	
14	TE-014	Brake Holder (R)	1	
15	TC-002	Bracket	1	
16	TC-008	Grommet	1	
17	TE-017	Bushing (L)	1	
18	TE-018	Bushing (R)	1	
19	TC-020	Pin	1	
20	TC-021	Split Pin	1	
21	TE-021	Brake Set	1	
22	TE-022	Pin	1	
23	TE-023	Rubber Stop	1	
24	TE-024	Brake Holder (L)	1	
25	TE-025	Spring	1	
26	ER04	Snap Ring, E-4	2	
27	TE-027	Roller Holder	1	
28	TE-028	Roller	1	
29	TE-029	Pin	1	
30	TE-030	Band Guide Bracket	1	
31	TC-049	Roller	1	
32	TC-048	Shaft	1	
38	TMS0508	TMS, M5×8 (Only CE)	6	
40	TE-033	Right Side Plate (Only CE)	1	

REF. NO.	PART NO.	DESCRIPTION	Q'TY	REMARKS
41	TE-041	Body Frame	1	
	TE-041S	Body Frame (Stainless Steel Model)	1	
	TK-033	Body Frame (Only CE)	1	
	TK-033S	Body Frame (Stainless Steel Model) (Only CE)	1	
42	TE-042	Magnet Catch	4	
43	TE-043	Side Door (L)	1	
	TE-043S	Side Door (L)(Stainless Steel Model)	1	
44	TE-044	Side Door (R)	1	
	TE-044S	Side Door (R)(Stainless Steel Model)	1	
45	TE-045	Support	1	
	TE-045S	Support (Stainless Steel Model)	1	
46	TC-043	Top Plate	1	
	TC-043S	Top Plate (Stainless Steel Model)	1	
47	TE-001A	Reel Unit	1	
48	TE-021A	Brake Arm Ass'y	1	
49	TE-030A	Band Guide Bracket Ass'y	1	
51	HB0612	HB, M6×12	20	
53	TMS0305	TMS, M3×5	8	
55	HBS0620	HBS, M6×20	7	
56	HB0620	HB, M6×20	2	
57	SW06	SW, M6	27	
58	SR10	Stop Ring, S-10	3	
59	PW06C	PW, M6 (C)	30	
60	PW06A	PW, M6 (A)	2	
61	PW06B	PW, M6 (B)	2	
63	WN06	WN, M6	2	
64	HN06	HN, M6	11	
67	TMS0612	TMS, M6×12	1	
68	TC-068	Collar	1	
69	NTE06	NTE, M6	2	
70	TC-070	Shaft	2	

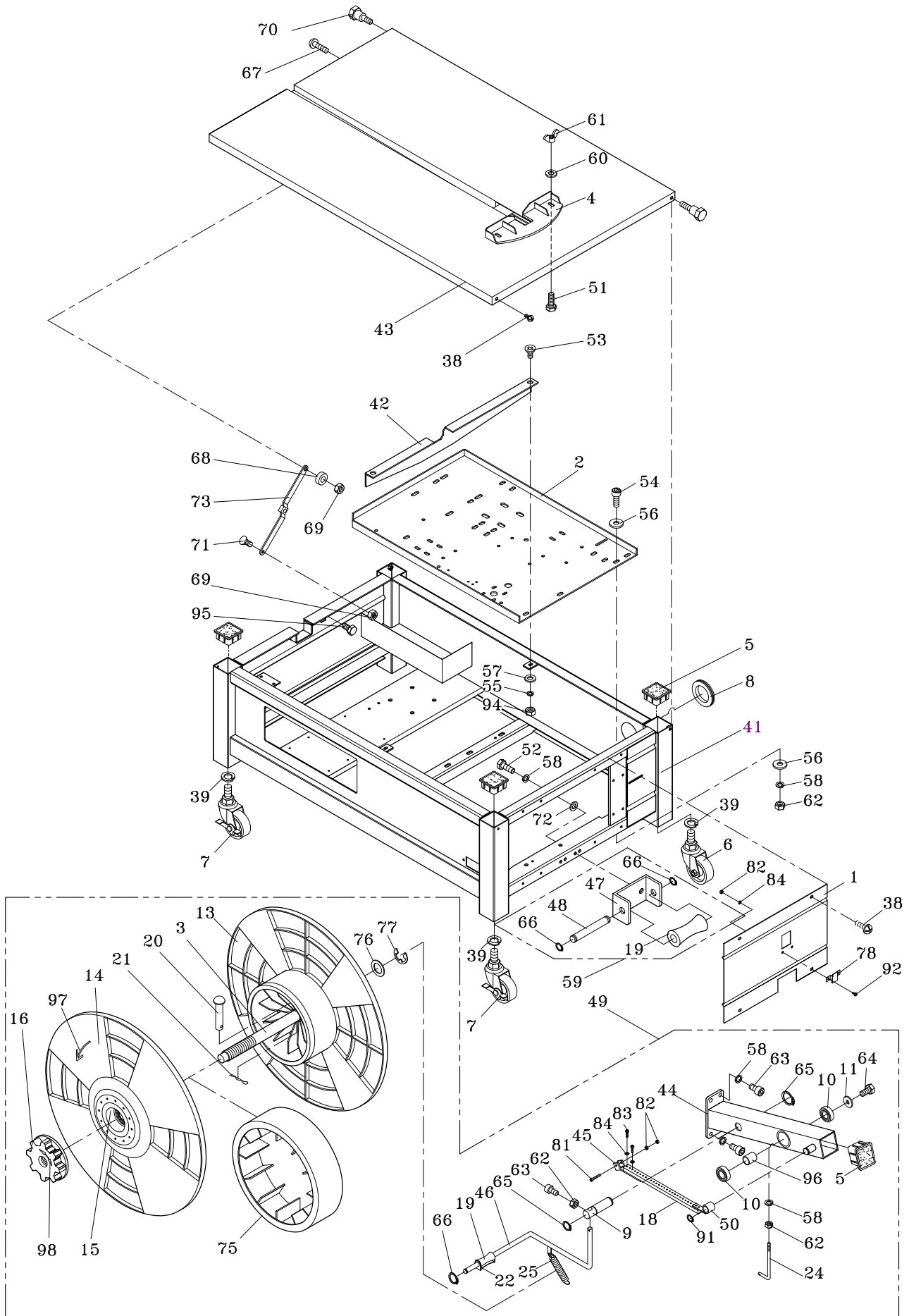
REF. NO.	PART NO.	DESCRIPTION	Q'TY	REMARKS
71	FMS0612	FMS, M6×12	1	
73	T5-2-10170	Hinge	1	
75	TC-075	Center Drum 280mm	1	
76	TC-076	Washer	1	
77	ER19	Snap Ring, E-19	1	
78	TB-205	Guide	1	
84	HBS0612	HBS, M6×12	2	
85	TMS0408	TMS, M4×8	2	
86	SW04	SW, M4	2	
87	HN04	HN, M4	2	
89	PW05	PW, M5	4	
90	SW05	SW, M5	4	
91	HN05	HN, M5	4	
94	HB0610	HB, M6×10	1	
95	PMS0408	PMS, M4×8	2	
96	LA-31010	Label	1	



REF. NO.	PART NO.	DESCRIPTION	Q'TY	REMARKS
1	TC-001	Protection Cover	1	
2	TC-002	Bracket	1	
3	TC-003	Reel Shaft	1	
4	TC-004	Package Guide	1	
5	TC-005	Lid	5	
6	TC-006	Caster (Free)	2	
7	TC-007	Caster (Brake)	2	
8	TC-008	Grommet	1	
9	TC-009	Brake Shaft	1	
10	BR6003ZZ	Bearing, 6003ZZ	2	
11	TC-011	Washer	1	
13	TC-013	Inner Flange	1	
14	TC-014	Outer Flange	1	
15	TC-015	Protector	1	
16	TC-016	Reel Nut Handle	1	
18	TC-018	Brake Lining	1	
19	TC-019	Roller	1	
20	TC-020	Pin	1	
21	TC-021	Split Pin	1	
22	TC-022	Roller Holder	1	
24	TC-024	Brake Adjuster	1	
25	TC-025	Spring	1	
30	T7-5-10160	Adjustment Leg (Option)	4	
31	TC-031	Fix Plate (Option)	4	
32	T5-3-11000	Reel Control Group	1	
33	TC-047A	Roller Bracket Ass'y	1	
38	TMS0508	TMS, M5×8	6	
39	SW16	SW, M16	4	
41	TC-041	Body Frame	1	
	TK-031	Body Frame (Only CE)	1	
42	TC-042	Support	1	
43	TC-043	Top Plate	1	
44	TC-044	Reel Support	1	

REF. NO.	PART NO.	DESCRIPTION	Q'TY	REMARKS
45	TC-045-1	Fixing Brake Lining Bracket	1	
46	TC-046-1	Arm	1	
47	TC-047	Roller Bracket	1	
48	TC-048	Shaft	1	
49	TC-049	Roller	1	
50	TC-050	Lining Holder	1	
51	HB0612	HB, M6×12	4	
52	PW06C	PW, M6 (C)	14	
53	FMS0512	FMS, M5×12	2	
54	HBS0620	HBS, M6×20	7	
55	SW05	SW, M5	2	
56	PW06A	PW, M6 (A)(Option)	8	
57	PW05	PW, M5	2	
58	SW06	SW, M6	10	
	SW06	SW, M6 (Option)	18	
59	SW08	SW, M8	4	
60	HBS0616	HBS, M6×16	2	
	HBS0616	HBS, M6×16 (Option)	10	
61	WN06	WN, M6	2	
62	HN06	HN, M6	9	
63	HBS0816	HBS, M8×16	4	
64	HB0816	HB, M8×16	1	
65	SR20	Stop Ring, S-20	2	
66	SR10	Stop Ring, S-10	2	
67	TMS0612	TMS, M6×12	1	
68	TC-068	Collar	1	
69	NTE06	NTE, M6	2	
70	TC-070	Shaft	2	
71	FMS0612	FMS, M6×12	1	
73	T5-2-10170	Hinge	1	
74	PW06B	PW, M6 (B)	2	
75	TC-075	Center Drum 280mm	1	
76	TC-100	Adjustment Leg Ass'y (Brake)(Option)	2	
77	TC-110	Adjustment Leg Ass'y (Free)(Option)	2	
78	TB-205	Guide	1	

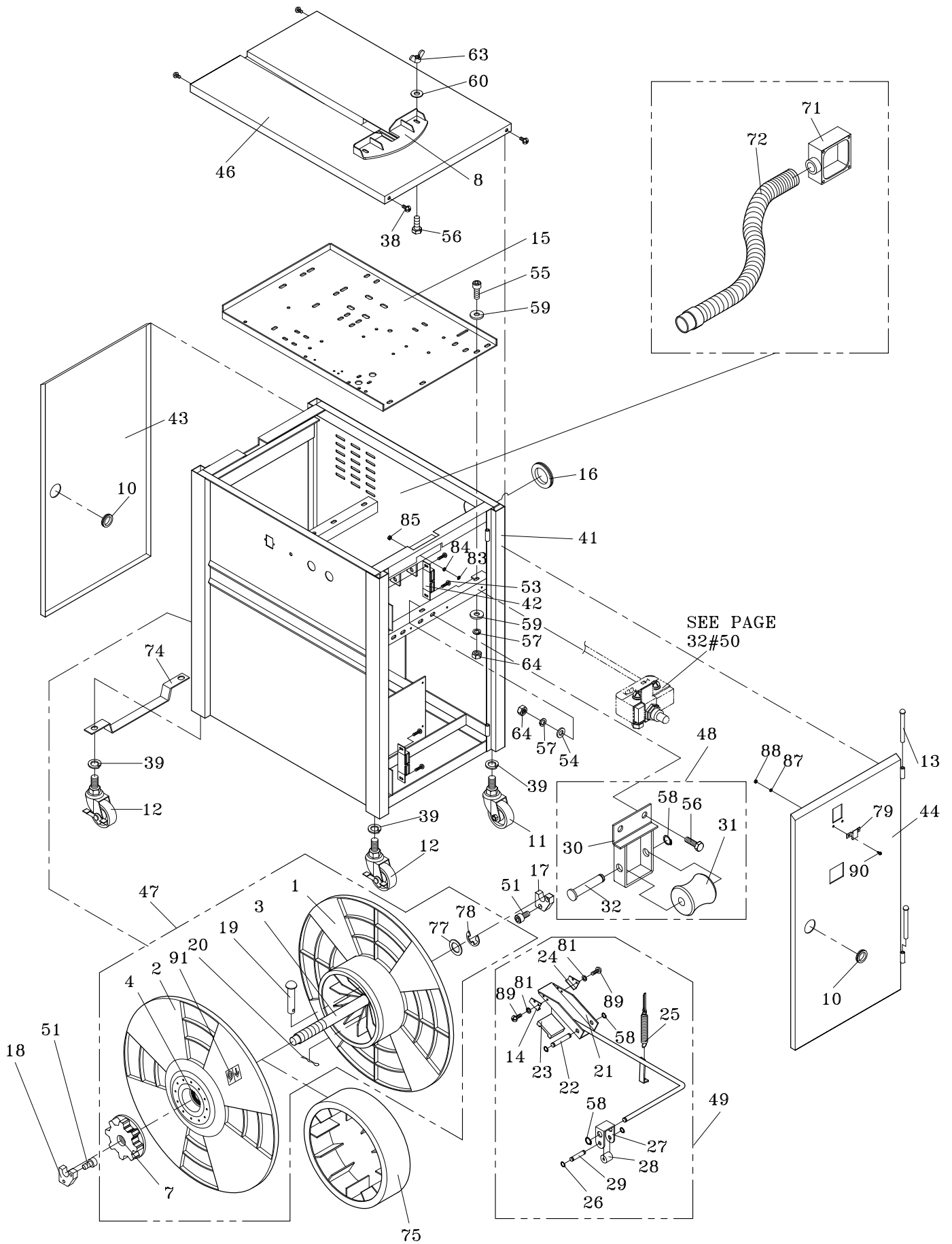
REF. NO.	PART NO.	DESCRIPTION	Q'TY	REMARKS
79	TC-076	Washer	1	
80	ER19	Snap Ring, E-19	1	
81	HBS0525H	HBS, M5×25 (H)	1	
82	HN05	HN, M5	4	
83	PMS0416	PMS, M4×16	4	
84	PW04	PW, M4	4	
85	TMS0408	TMS, M4×8	2	
91	SR15	Stop Ring, S-15	1	
92	TC-092	Holder	1	
93	LA-50094	Label (Option)	4	
94	HN05	HN, M5	2	
95	HB0610	HB, M6×10	1	
96	TC-094	Spacer	1	
97	LA-31010	Label	1	



REF. NO.	PART NO.	DESCRIPTION	Q'TY	REMARKS
1	TD-001	Protection Cover	1	
2	TC-002	Bracket	1	
3	TD-003	Reel Shaft	1	
4	TC-004	Package Guide	1	
5	TC-005	Lid	5	
6	TC-006	Caster (Free)	2	
7	TC-007	Caster (Brake)	2	
8	TC-008	Grommet	1	
9	TC-009	Brake Shaft	1	
10	BR6003ZZ	Bearing, 6003ZZ	2	
11	TC-011	Washer	1	
13	TC-013	Inner Flange	1	
14	TC-014	Outer Flange	1	
15	TC-015	Protector	1	
16	TD-016	Reel Nut Handle (LH)	1	
18	TD-018	Brake Lining	1	
19	TC-019	Roller	2	
20	TC-020	Pin	1	
21	TC-021	Split Pin	1	
22	TC-022	Roller Holder	1	
24	TD-024	Spring Hook	1	
25	TC-025	Spring	1	
38	TMS0508	TMS, M5×x8	6	
39	SW16	SW, M16	4	
41	TD-041	Body Frame	1	
	TK-041	Body Frame (Only CE)	1	
42	TC-042	Support	1	
43	TC-043	Top Plate	1	
44	TD-044	Reel Support	1	
45	TC-045-1	Fixing Brake Lining Bracket	1	
46	TD-046-1	Arm	1	
47	TD-047	Roller Bracket	1	
48	TD-048	Shaft	1	
49	TD-044A	Reel Support Ass'y	1	

REF. NO.	PART NO.	DESCRIPTION	Q'TY	REMARKS
50	TC-050	Lining Holder	1	
51	HB0612	HB, M6×12	2	
52	HB0610	HB, M6×10	2	
53	FMS0512	FMS, M5×12	2	
54	HBS0620	HBS, M6×20	7	
55	SW05	SW, M5	2	
56	PW06C	PW, M6 (C)	14	
57	PW05	PW, M5	2	
58	SW06	SW, M6	14	
59	TD-047A	Roller Bracket Ass'y	1	
60	PW06B	PW, M6 (B)	2	
61	WN06	WN, M6	2	
62	HN06	HN, M6	9	
63	HBS0616	HBS, M6×16	5	
64	HB0816	HB, M8×16	1	
65	SR20	Stop Ring, S-20	2	
66	SR10	Stop Ring, S-10	3	
67	TMS0612	TMS, M6×12	1	
68	TC-068	Collar	1	
69	NTE06	NTE, M6	2	
70	TC-070	Shaft	2	
71	FMS0612	FMS, M6×12	1	
72	PW06A	PW, M6 (A)	2	
73	T5-2-10170	Hinge	1	
75	TC-075	Center Drum 280mm	1	
76	TC-076	Washer	1	
77	ER19	Snap Ring, E-19	1	
78	TB-205	Guide	1	
81	HBS0525H	HBS, M5×25 (H)	1	
82	HN05	HN, M5	4	
83	PMS0416	PMS, M4×16	4	
84	PW04	PW, M4	6	

REF. NO.	PART NO.	DESCRIPTION	Q'TY	REMARKS
91	SR15	Stop Ring, S-15	1	
92	TMS0408	TMS, M4×8	2	
94	HN05	HN, M5	2	
95	HB0610	HB, M6×10	1	
96	TC-094	Spacer	1	
97	LA-30200	Label	1	
98	LA-30210	Label	1	



REF. NO.	PART NO.	DESCRIPTION	Q'TY	REMARKS
1	TE-001	Inner Flange	1	
2	TC-014	Outer Flange	1	
3	TE-003	Shaft	1	
4	TC-015	Protector	1	
7	TC-016	Reel Nut Handle	1	
8	TC-004	Package Guide	1	
10	TE-010	Grommet	2	
11	TC-006	Caster (Free)	2	
12	TC-007	Caster (Brake)	2	
13	TE-013	Lock Pin	4	
14	TE-014	Brake Holder (R)	1	
15	TC-002	Bracket	1	
16	TC-008	Grommet	1	
17	TE-017	Bushing (L)	1	
18	TE-018	Bushing (R)	1	
19	TC-020	Pin	1	
20	TC-021	Split Pin	1	
21	TJ-021	Brake Set	1	
22	TE-022	Pin	1	
23	TE-023	Rubber Stop	1	
24	TE-024	Brake Holder (L)	1	
25	TE-025	Spring	1	
26	ER04	Snap Ring, E-4	2	
27	TE-027	Roller Holder	1	
28	TE-028	Roller	1	
29	TE-029	Pin	1	
30	TE-030	Band Guide Bracket	1	
31	TC-049	Roller	1	
32	TC-048	Shaft	1	
38	TMS0508	TMS, M5×8 (Only CE)	6	
39	SW16	SW, M16	4	
41	TJ-001	Body Frame	1	
	TJ-010	Body Frame (Only CE)	1	
42	TE-042	Magnet Catch	4	
43	TJ-043	Side Door (L)	1	

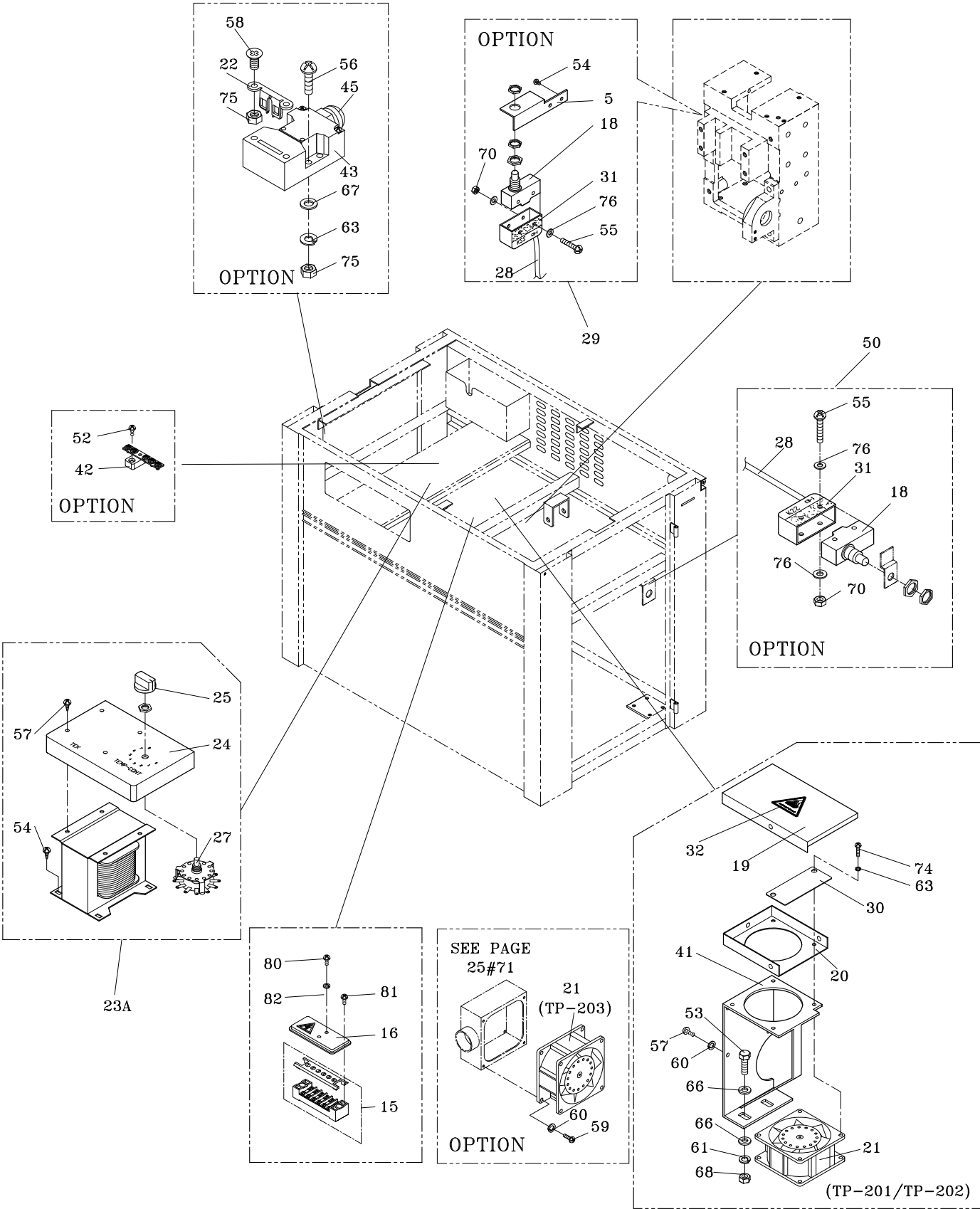
REF. NO.	PART NO.	DESCRIPTION	Q'TY	REMARKS
44	TJ-044	Side Door (R)	1	
46	TJ-002	Top Plate	1	
47	TE-001A	Reel Unit	1	
48	TE-030A	Band Guide Bracket Ass'y	1	
49	TJ-021A	Brake Arm Ass'y	1	
51	HBS0612	HBS, M6×12	2	
53	TMS0305	TMS, M3×5	8	
54	PW06A	PW, M6 (A)	2	
55	HBS0620	HBS, M6×20	7	
56	HB0612	HB, M6×12	4	
57	SW06	SW, M6	9	
58	SR10	Stop Ring, S-10	4	
59	PW06C	PW, M6 (C)	14	
60	PW06B	PW, M6 (B)	2	
63	WN06	WN, M6	2	
64	HN06	HN, M6	9	
71	TJ-023	Bracket of Smoke-Exhaus Pipe	1	
72	TJ-024	Smoke-Exhaus Pipe	1	
74	TJ-092	Reel Assist Bracket	1	
75	TC-075	Center Drum 280mm	1	
77	TC-076	Washer	1	
78	ER19	Snap Ring, E-19	1	
79	TB-205	Guide	1	
81	SW04	SW, M4	4	
83	PW05	PW, M5	2	
84	SW05	SW, M5	2	
85	HN05	HN, M5	2	
87	PW04	PW, M4	2	
88	HN04	HN, M4	2	
89	PMS0408	PMS, M4×8	4	
90	TMS0408	TMS, M4×8	2	
91	LA-31010	Label	1	

REF. NO.	PART NO.	DESCRIPTION	Q'TY	REMARKS
1	TL-001	Body Frame	1	
	TL-001S	Body Frame (Stainless Steel Model)	1	
2	TL-002	Table (L)	1	
	TL-002S	Table (L)(Stainless Steel Model)	1	
3	TD-003	Reel Shaft	1	
	TD-003S	Reel Shaft (Stainless Steel Model)	1	
4	TL-004	Table (R)	1	
	TL-004S	Table (R)(Stainless Steel Model)	1	
5	TL-005	Top Plate	1	
	TL-005S	Top Plate (Stainless Steel Model)	1	
7	TL-007	Front Plate	1	
	TL-007S	Front Plate (Stainless Steel Model)	1	
8	TC-006	Caster (Free)	2	
	TC-006S	Caster (Free)(Stainless Steel Model)	2	
9	TC-007	Caster (Brake)	2	
	TC-007S	Caster (Brake)(Stainless Steel Model)	2	
10	TC-019	Roller	2	
11	TL-011	Table Support	1	
	TL-011S	Table Support (Stainless Steel Model)	1	
12	TL-012	Reel Support	1	
	TL-012S	Reel Support (Stainless Steel Model)	1	
13	TC-013	Inner Flange	1	
14	TC-014	Outer Flange	1	
15	TL-015	Guide	1	
	TL-015S	Guide (Stainless Steel Model)	1	
16	TD-016	Reel Nut Handle (LH)	1	
17	TL-017	Back Door	1	
	TL-017S	Back Door (Stainless Steel Model)	1	
18	ER07S	Snap Ring, E-7 (SUS)	16	
19	T6-5-11120	Table Roller	8	
	T6-5-11121	Table Roller (Plastic)	8	
20	T6-5-11130	Table Roller Shaft	8	
	T6-5-11131	Table Roller Shaft (Stainless Steel Model)	8	
21	TL-021	Brake Arm	1	
	TL-021S	Brake Arm (Stainless Steel Model)	1	

REF. NO.	PART NO.	DESCRIPTION	Q'TY	REMARKS
22	TE-027	Roller Holder	1	
	TE-027S	Roller Holder (Stainless Steel Model)	1	
23	TL-023	Stopper	1	
24	TL-024	Bolt	1	
25	HN08	HN, M8	2	
	HN08S	HN, M8 (Stainless Steel Model)	2	
27	FMS0410	FMS, M4×10	4	
	FMS0410S	FMS, M4×10 (Stainless Steel Model)	4	
30	TL-030	Brake lining	1	
31	TD-047A	Roller Bracket Ass'y	1	
32	TL-007A	Front Plate Ass'y	1	
33	T6-4-30000	Reel Control Group	1	
	T6-4-30000S	Reel Control Group (Stainless Steel Model)	1	
34	SW16	SW, M16	4	
	SW16S	SW, M16 (Stainless Steel Model)	4	
41	TL-041	Door Lock	2	
42	TL-042	Bracket	1	
43	TD-047	Roller Bracket	2	
	TD-047S	Roller Bracket (Stainless Steel Model)	2	
44	TD-048	Shaft	2	
	TD-048S	Shaft (Stainless Steel Model)	2	
45	T6-2-11140	RH Strap Guide Flap Pin (Rear)	2	
46	T6-2-11150	RH Strap Guide Flap Spring	2	
47	TL-047	Flap	1	
	TL-047S	Flap (Stainless Steel Model)	1	

REF. NO.	PART NO.	DESCRIPTION	Q'TY	REMARKS
52	SR10	Stop Ring, S-10	5	
	SR10S	Stop Ring, S-10 (Stainless Steel Model)	5	
53	HBS0816	HBS, M8×16	4	
	HBS0816S	HBS, M8×16 (Stainless Steel Model)	4	
54	SW08	SW, M8	5	
	SW08S	SW, M8 (Stainless Steel Model)	5	
55	TMS0612	TMS, M6×12	8	
	TMS0612S	TMS, M6×12 (Stainless Steel Model)	8	
56	HB0610	HB, M6×10	4	
	HB0610S	HB, M6×10 (Stainless Steel Model)	4	
57	SW06	SW, M6	6	
	SW06S	SW, M6 (Stainless Steel Model)	6	
65	TE-028	Roller	1	
66	TE-029	Pin	1	
	TE-029S	Pin (Stainless Steel Model)	1	
67	ER04	Snap Ring, E-4	2	
	ER04S	Snap Ring, E-4 (Stainless Steel Model)	2	
68	LA-30200	Label	1	
69	LA-30210	Label	1	
70	TL-070	Supporting Leg	4	
	TL-070S	Supporting Leg (Stainless Steel Model)	4	
71	HB0616	HB, M6×16	16	
	HB0616S	HB, M6×16 (Stainless Steel Model)	16	
72	SW06	SW, M6	16	
	SW06S	SW, M6 (Stainless Steel Model)	16	
73	PW06C	PW, M6 (C)	16	
	PW06CS	PW, M6 (C)(Stainless Steel Model)	16	

ELECTRIC PARTS DRAWING

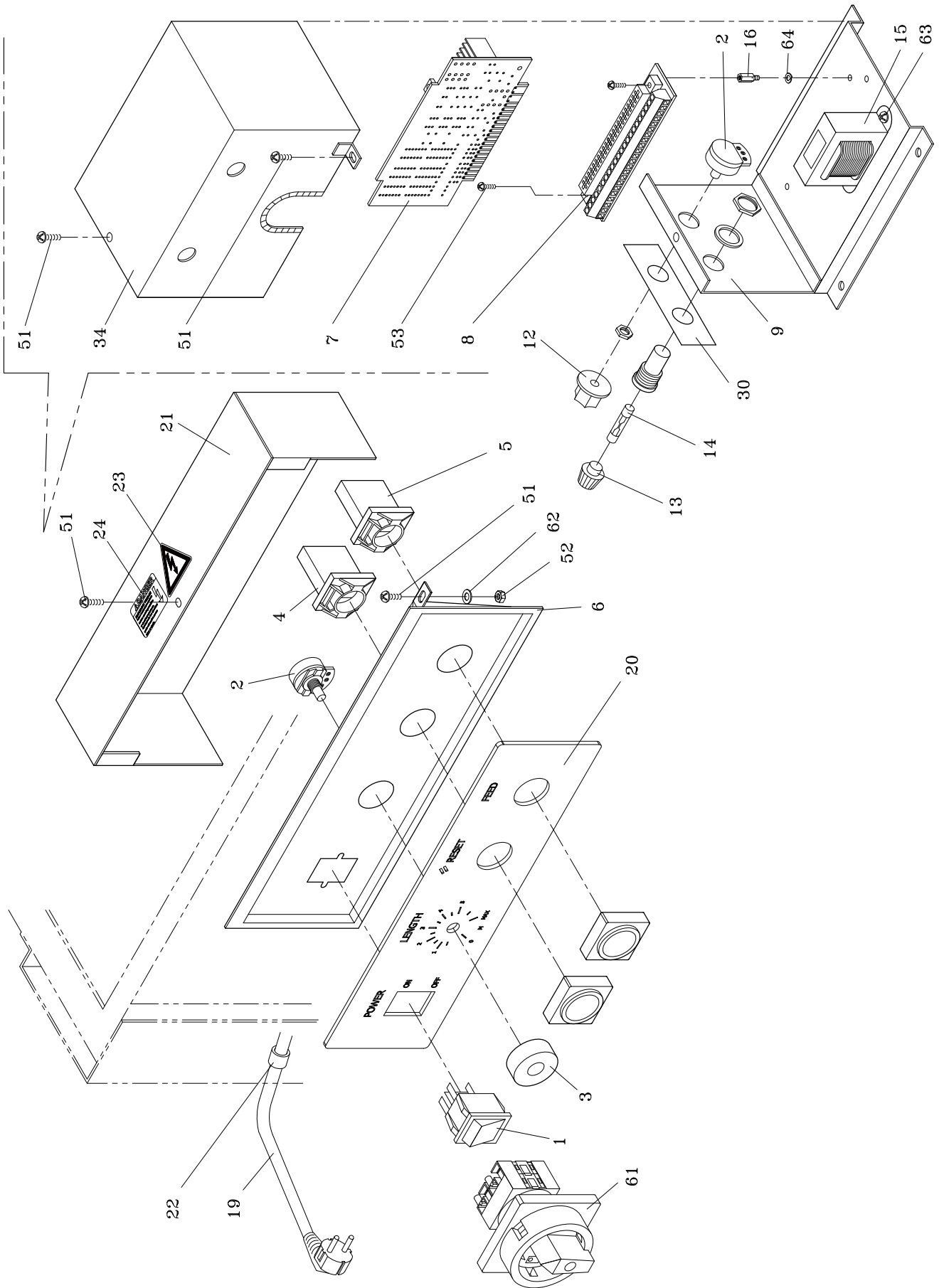


REF. NO.	PART NO.	DESCRIPTION	Q'TY	REMARKS
5	TF-005	Safety Switch Plate (Option)	1	
15	TF-015	Terminal Bracket	1	
16	TF-016	Cover (Only CE)	1	
18	TF-018	Safety Limit Switch (For CE)(Option)	1	
19	TF-019	Adiabatic Plate	1	
20	TF-020	Fan Cover	1	
21	TF-021	Fan (For 110V)	1	
	TF-021-1	Fan (For 220V/230V/240V)	1	
22	T7-5-10210	Switch Actuator (Option)	1	
23A	TF-023A	Heater Transformer Ass'y (For 110V)	1	
	TF-023A-1	Heater Transformer Ass'y (For 220V/230V/240V)	1	
24	TF-024	Transformer Cover	1	
25	TF-025	Knob	1	
27	TF-027	Selector Switch	1	
28	TG-024	Wire (For TP-201)(Option)	1	
	TG-025	Wire (For TP-203)(Option)	1	
	TG-026	Wire (For TP-201Y)(Option)	1	
	TG-027	Wire (For Top Plate)(Option)	1	
29	TE-099	Safety Limit Switch Ass'y (Option)	1	
30	TF-029	Cover (Only TP-203)	1	
31	TF-031	Switch Cover (Option)	1	
32	LA-40002	Label	1	

REF. NO.	PART NO.	DESCRIPTION	Q'TY	REMARKS
41	TJ-022	Fan Support	1	
42	T5-4-10310	Earth Plate (5P)(For CE)(Option)	1	
43	TK-035	Interlock Safety Switch	1	
45	T6-6-10980	Cable Gland (PG11) (For TUV CE Version)(Option)	1	
50	TE-097	Safety Limit Switch Ass'y (For TP-201CE)	2	
	TE-100	Safety Limit Switch Ass'y (For TP-203CE)	2	
	TE-098	Safety Limit Switch Ass'y (For TP-201Y)	2	
51	TMS0512	TMS, M5×12 (Option)	4	
52	TMS0412	TMS, M4×12 (For CE)(Option)	1	
53	HB0620	HB, M6×20	2	
54	TMS0408	TMS, M4×8 (Option)	4	
55	PMS0425	PMS, M4×25 (Option)	4	
56	PMS0520	PMS, M5×20	4	
57	PMS0410	PMS, M4×10	4	
	PMS0410	PMS, M4×10 (For TP-201/TP-202)	8	
58	FMS0508	FMS, M5×8 (For TUV CE Version) (Option)	2	
59	PMS0412	PMS, M4×12 (For TP-203)(Option)	4	
60	SW04	SW, M4 (For TP-201/TP-202) SW, M4 (For TP-203)(Option)	4 4	
61	SW06	SW, M6	2	
63	SW05	SW, M5	6	
66	PW06C	PW, M6 (C)	4	
67	PW05	PW, M5	4	
68	HN06	HN, M6	2	
70	HN04	HN, M4 (Option)	4	

REF. NO.	PART NO.	DESCRIPTION	Q'TY	REMARKS
74	TMS0508	TMS, M5×8	2	
75	HN05	HN, M5	4	
		HN, M5 (For TUV CE Version) (Option)	2	
76	PW04	PW, M4 (Option)	4	
80	PMS03.515	PMS, M3.5×15	2	
81	PMS0408	PMS, M4×8	2	
82	PW04	PW, M4	1	

CONTROL PANEL



REF. NO.	PART NO.	DESCRIPTION	Q'TY	REMARKS
1	TG-001	Power Switch	1	
2	TG-002	Variable Resistor (1M Ω)	2	
3	TG-003	Knob	1	
4	TG-004	Reset Push Button Switch	1	
5	TG-005	Feed Push Button Switch	1	
6	TG-006	Control Panel	1	
7	T2-6-30250	PC Board	1	
8	TG-008	PC Board Receptacle	1	
9	TG-009	Base	1	
12	TG-012	Knob	1	
13	TG-013	Fuse Holder	1	
14	T6-6-30133	Fuse (10A)(For 110V AC)	1	
	T6-6-30034	Fuse (7A)(For 220V/230V/240V AC)	1	
15	TG-015	Transformer (For 110V)	1	
	TG-015-1	Transformer (For 220V)	1	
	TG-015-2	Transformer (For 240V)	1	
16	TG-016	Bolt	1	
19	TG-019	Power Cord	1	
20	LA-10018	Label	1	
21	TG-021	Switch Cover	1	
22	TG-022	Grommet	1	
23	LA-40001	Label	1	
24	LA-40003	Label	1	
30	LA-20170	Label	1	
34	TG-034	Cover	1	
51	TMS0408	TMS, M4 \times 8	8	
52	HN04	HN, M4	2	
53	TMS0312	TMS, M3 \times 12	2	
61	TK-001	Main Power Switch (Only CE)	1	
62	PW04	PW, M4	2	
63	PMS0408	PMS, M4 \times 8	2	
64	SW03	SW, M3	2	

02/2011