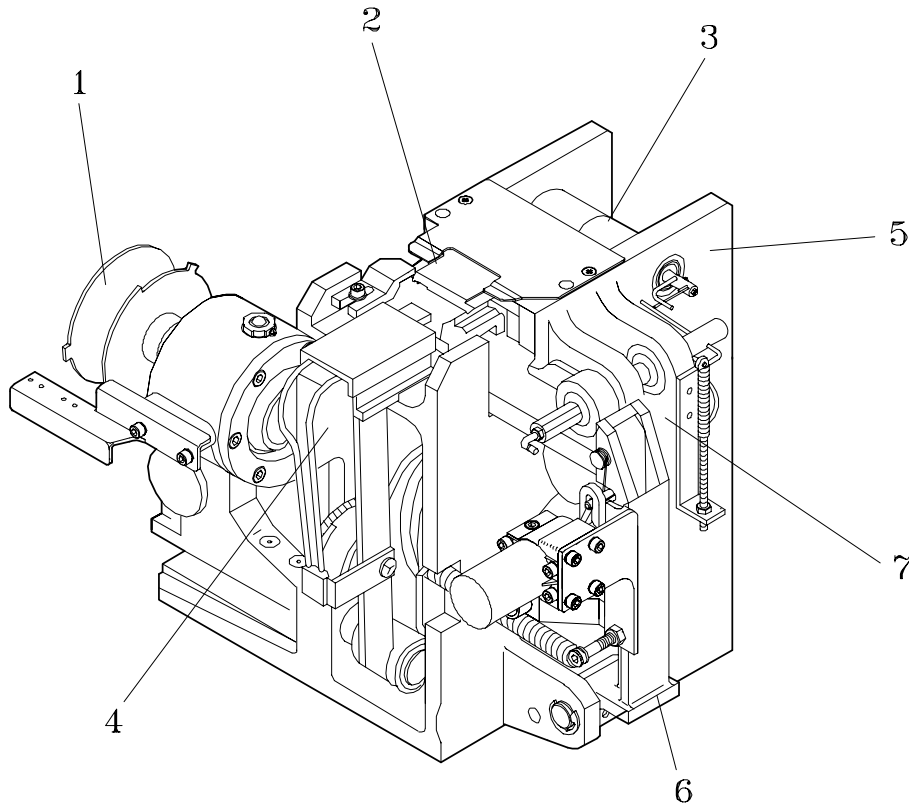


PART II

CONTENTS

1. Strapping Head Unit.....	1~26
2. Bandway Unit.....	27~41
3. Accumulator Unit.....	42~48
4. Reel Unit.....	49~56
5. Body Unit.....	57~67
6. Electric Control Unit.....	68~77
7. Transmission Group.....	78~96
8. Auto Strap Feeding Unit.....	97~101
9. Pneumatic Unit.....	102~107

1

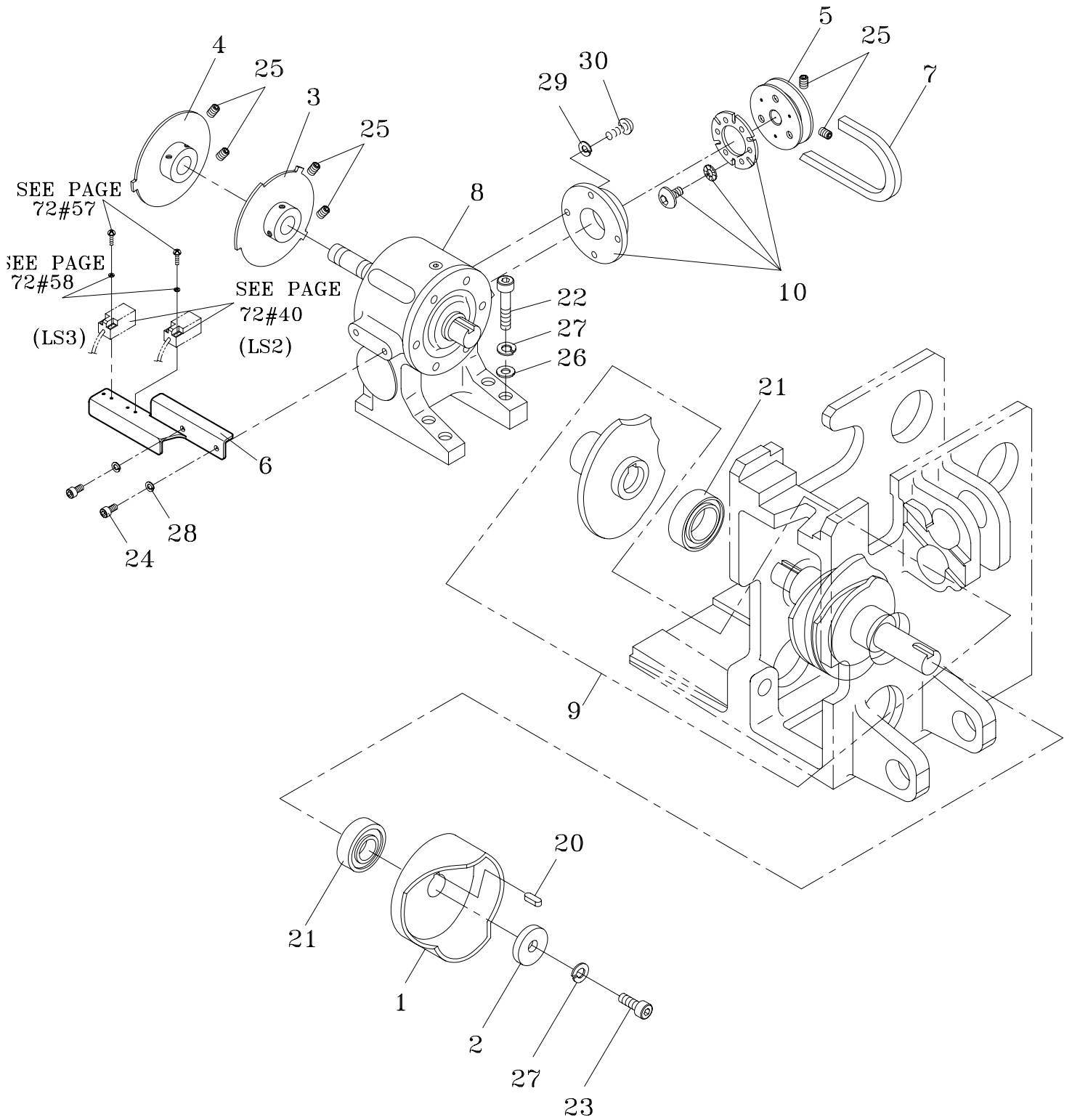
STRAPPING HEAD UNIT**T6-1-90005****T6-1-90008****T6-1-90006****T6-1-90009**

REF. NO.	PART NO.	DESCRIPTION	Q'TY	REMARKS
	T6-1-90005	Strapping Head Unit (For TP-601B /TP-601BP)(For 12mm)	1	
	T6-1-90008	Strapping Head Unit (For TP-601B /TP-601BP)(For 9mm)	1	
	T6-1-90006	Strapping Head Unit (For TP-601A,12mm)	1	
	T6-1-90009	Strapping Head Unit (For TP-601A, 9mm)	1	
1	T6-1-10004	Cam Group	1	SEE PAGE 2
2	T6-1-20003	Slide Table Group	1	SEE PAGE 5
3	T6-1-30000	Press Group	1	SEE PAGE 9
4	T6-1-40003	Heater Group	1	SEE PAGE 14
5	T6-1-50004	Strapping Head Group (For TP-601B, TP-601BP)	1	SEE PAGE 17
	T6-1-50005	Strapping Head Group (For TP-601A)	1	SEE PAGE 17
6	T6-1-60003	Tension Group	1	SEE PAGE 19
7	T6-1-70004	Feed Group (For 12mm)	1	SEE PAGE 23
	T6-1-70005	Feed Group (For 9mm)	1	SEE PAGE 23

1-1

CAM GROUP

T6-1-10004



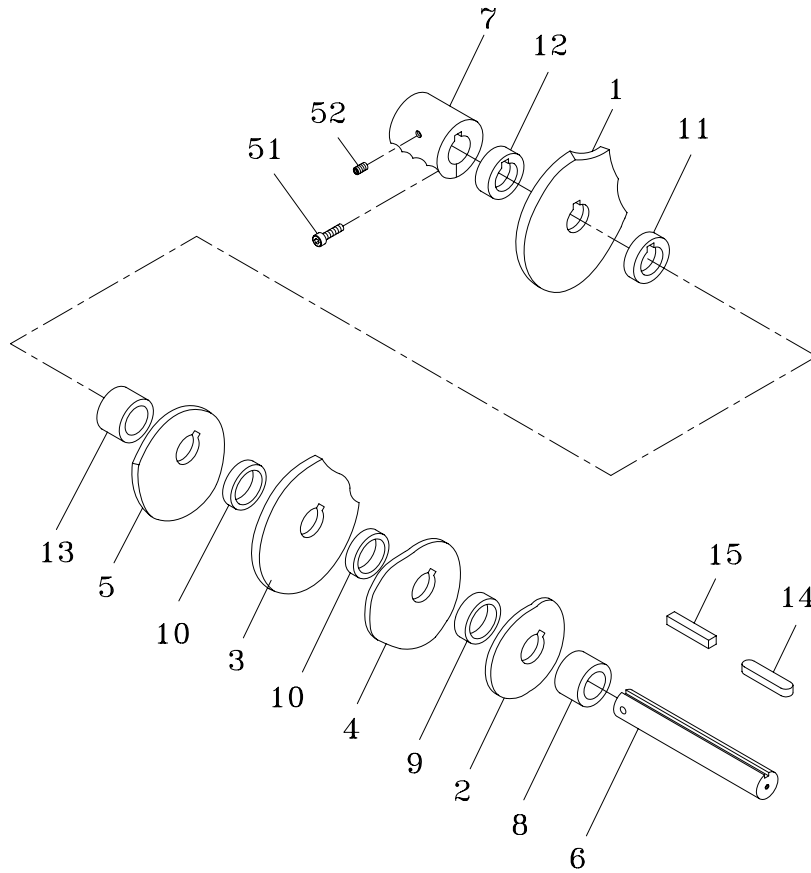
1-1**CAM GROUP****T6-1-10004**

REF. NO.	PART NO.	DESCRIPTION	Q'TY	REMARKS
1	T6-1-10110	Tension Cam	1	
2	T6-1-10120	Cam Shaft End Plate	1	
3	T6-1-10131	Limit Switch Cam (LS2)	1	
4	T6-1-10142	Limit Switch Cam (LS3)	1	
5	T6-1-10171	Gear Box Pulley	1	
6	T6-1-10181	Limit Switch Bracket	1	
7	T6-1-10201	V-Belt (A25)	1	
8	T6-1-11000	Gear Box	1	
9	T6-1-12000	Cam Ass'y	1	SEE PAGE 4
10	T6-6-10180	Magnet Brake	1	
20	KYA070720	Key, 7x7x20	2	
21	BR6205ZZ	Bearing, 6205ZZ	2	
22	HBS0845H	HBS, M8x45 (H)	4	
23	HBS0825	HBS, M8x25	1	
24	HBS0612	HBS, M6x12	2	
25	HSS0610	HSS, M6x10	6	
26	PW08B	PW, M8 (B)	4	
27	SW08	SW, M8	5	
28	SW06	SW, M6	2	
29	SW04	SW, M4	4	
30	PMS0408	PMS, M4x8	4	

1-1-1

CAM ASS'Y

T6-1-12000

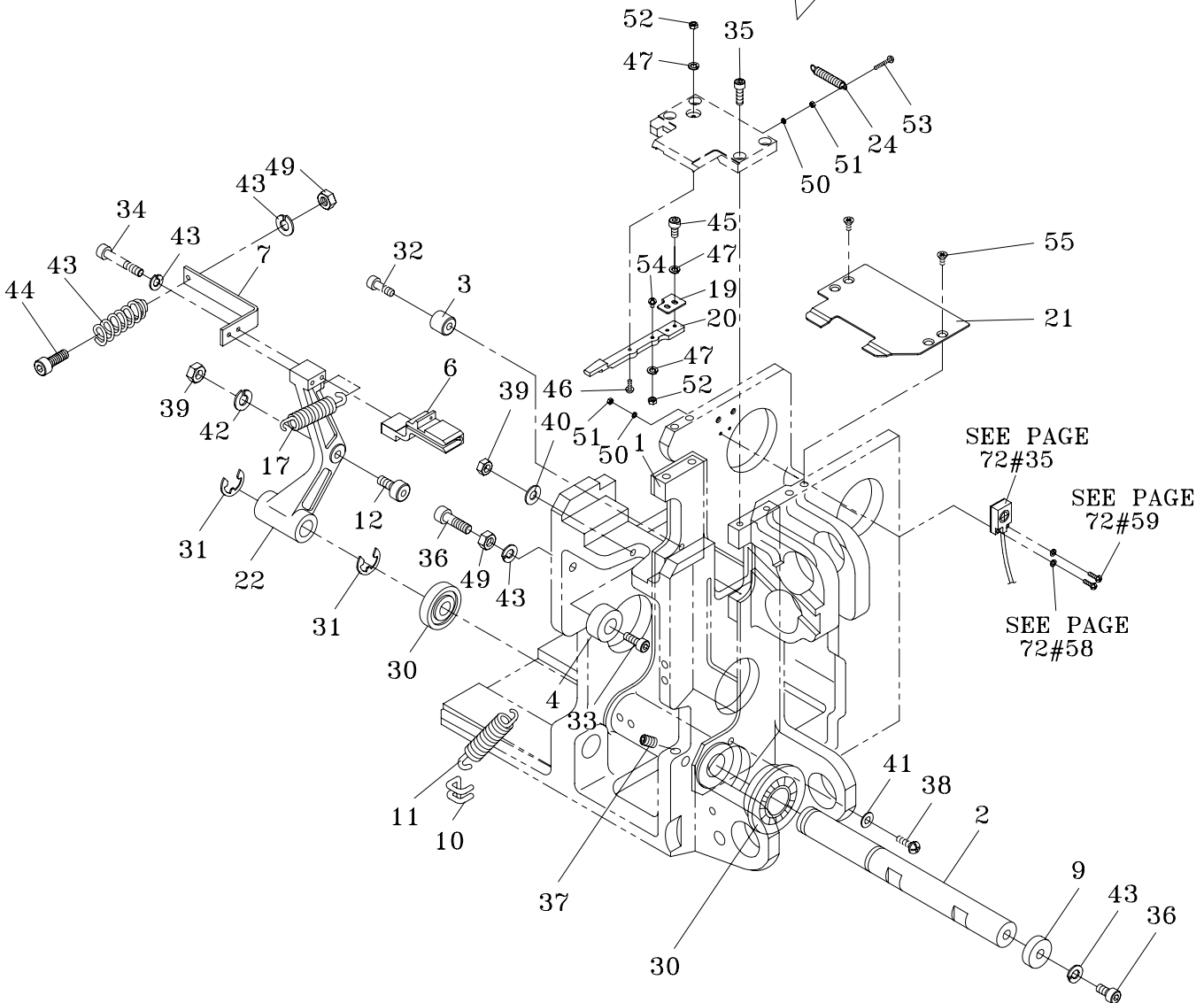
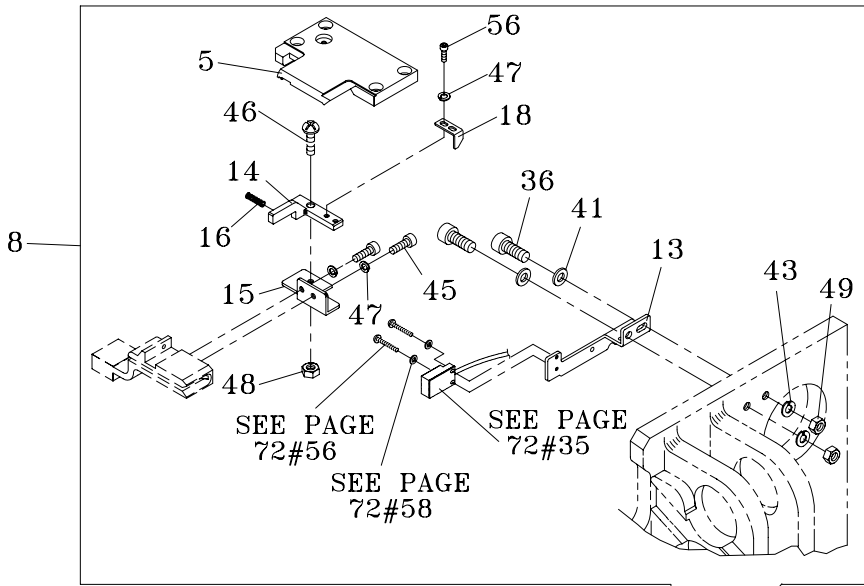


REF. NO.	PART NO.	DESCRIPTION	Q'TY	REMARKS
1	T6-1-12110	Slide Table Cam	1	
2	T6-1-12120	RH Press Cam	1	
3	T6-1-12130	Center Press Came	1	
4	T6-1-12140	Heater Cam	1	
5	T6-1-12150	LH Press Cam	1	
6	T6-1-12160	Cam Shaft	1	
7	T6-1-12170	Cam Shaft Coupling	1	
8	T6-1-12180	Collar, 28.8x34x28.3	1	
9	T6-1-12190	Collar, 28.8x34x21	1	
10	T6-1-12210	Collar, 28.8x34x8	2	
11	T6-1-12220	Collar, 28.8x34x4.5	1	
12	T6-1-12230	Collar, 28.8x34x15	1	
13	T6-1-12350	Collar, 28.8x34x27.8	1	
14	KYA070790	Key, 7x7x90	1	
15	KYB070748	Key, 7x7x48	1	
51	HBS0620	HBS, M6x20	4	
52	HSS0810	HSS, M8x10	1	

1-2

SLIDE TABLE GROUP

T6-1-20003



1-2**SLIDE TABLE GROUP****T6-1-20003**

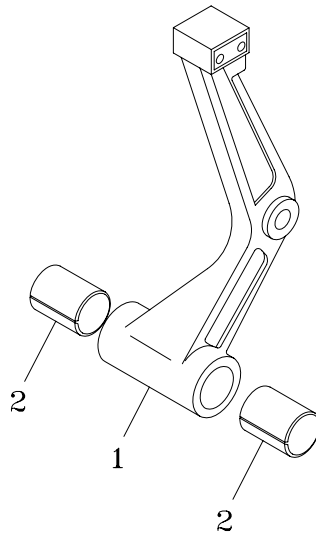
REF. NO.	PART NO.	DESCRIPTION	Q'TY	REMARKS
1	T6-1-20110	Slide Table Frame	1	
2	T6-1-20120	Slide Table Frame Shaft	1	
3	T6-1-20141	Slide Table Back Adjuster	1	
4	T6-1-20150	Slide Table Stopper	1	
5	T6-1-20163	Slide Table	1	
	T6-1-20163S	Slide Table (Stainless Steel Model)	1	
6	T6-1-20170	Band Guide (For 12mm,9mm)	1	
7	T6-1-20180	Flap Connecting Spring Bracket	1	
8	T6-1-20193	S.F.S. Ass'y	1	
9	T6-1-20210	End Plate	1	
10	T6-1-20220	Slide Table Spring Hook	1	
11	T6-1-20230	Slide Table Tension Spring	1	
12	T6-1-20250	Cam Follower, KR22xLL	1	
13	T6-1-20311	Support	1	
14	T6-1-20321	Lever	1	
15	T6-1-20340	Bracket	1	
16	T6-1-20351	Spring	1	
17	T6-1-20371	Spring	1	
18	T6-1-20840	Detector Plate	1	
19	T6-1-20910	Sensor Plate	1	
20	T6-1-20920	Loop-eject Lever	1	
21	T6-1-20930	Loop-eject Plate (For TP-601B/TP-601BP)	1	
	T6-1-20930S	Loop-eject Plate (For TP-601B/TP-601BP)(Stainless Steel Model)	1	
22	T6-1-21000	Strap Guide Arm Ass'y	1	SEE PAGE 8
23	T6-2-10130	LN Bandway Stop Spring	1	
24	TA-071	Return Spring	1	
30	BR6304ZZ	Bearing, 6304ZZ	2	
31	ER15	Snap Ring, E-15	2	
32	HBS1025H	HBS, M10x25 (H)	1	
33	HBS0830	HBS, M8x30	1	
34	HBS0650H	HBS, M6x50 (H)	1	
35	HBS0620N	HBS, M6x20 (N)	4	
	HBS0620NS	HBS, M6x20 (N) (Stainless Steel Model)	4	
36	HBS0620	HBS, M6x20	4	

1-2**SLIDE TABLE GROUP****T6-1-20003**

REF. NO.	PART NO.	DESCRIPTION	Q'TY	REMARKS
37	HSS0810	HSS, M8x10	4	
38	TMS0610	TMS, M6x10	2	
39	HN10	HN, M10	1	
40	PW08A	PW, M8 (A)	1	
41	PW06A	PW, M6 (A)	4	
42	SW10	SW, M10	1	
43	SW06	SW, M6	6	
44	HBS0615	HBS, M6x15	1	
45	HBS0408	HBS, M4x8	4	
46	TMS0412	TMS, M4x12	2	
47	SW04	SW, M4	7	
48	NTE04	NTE, M4	1	
49	HN06	HN, M6	4	
50	SW03	SW, M3	3	
51	HN03	HN, M3	3	
52	HN04	HN, M4	2	
53	PMS0416	PMS, M4x16	1	
54	PMS0412	PMS, M4x12	1	
55	FMS0508	FMS, M5x8(For TP-601B/TP-601BP)	2	
	FMS0508S	FMS, M5x8 (For TP-601B/TP-601BP) (Stainless Steel Model)	2	
56	HBS0408	HBS, M4x8	2	

1-2-1 STRAP GUIDE ARM ASS'Y

**T6-1-21000
T6-1-21002**

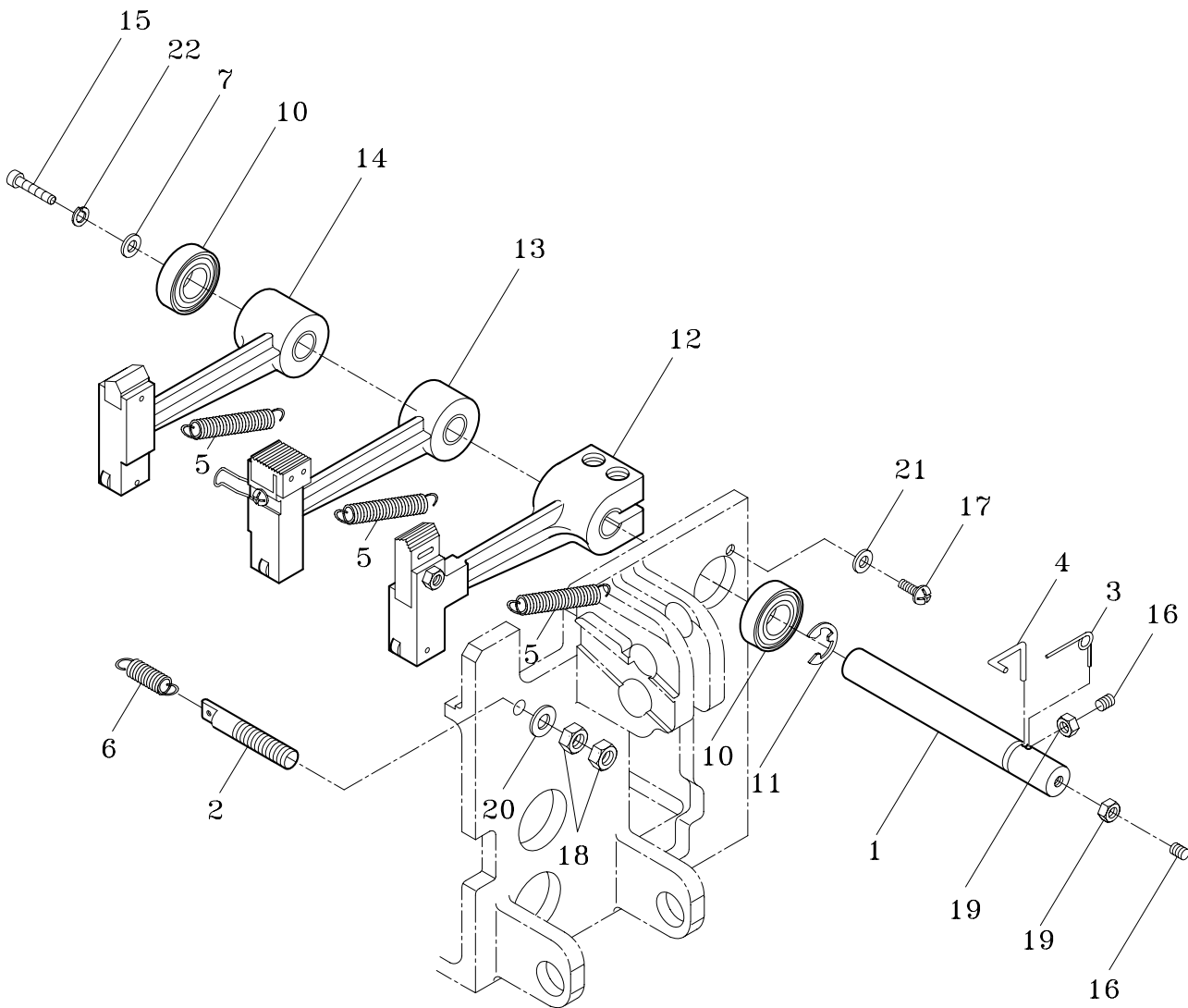


REF. NO.	PART NO.	DESCRIPTION	Q'TY	REMARKS
1	T6-1-21000	Strap Guide Arm Ass'y (For TP-601B/BP)	1	
	T6-1-21002	Strap Guide Arm Ass'y (For TP-601A)	1	
2	T6-1-21110	Strap Guide Arm (For TP-601B/BP)	1	
	T6-1-21111	Strap Guide Arm (For TP-601A)	1	
	MB2025	Metal Bush, 2025	2	

1-3

PRESS GROUP

T6-1-30000



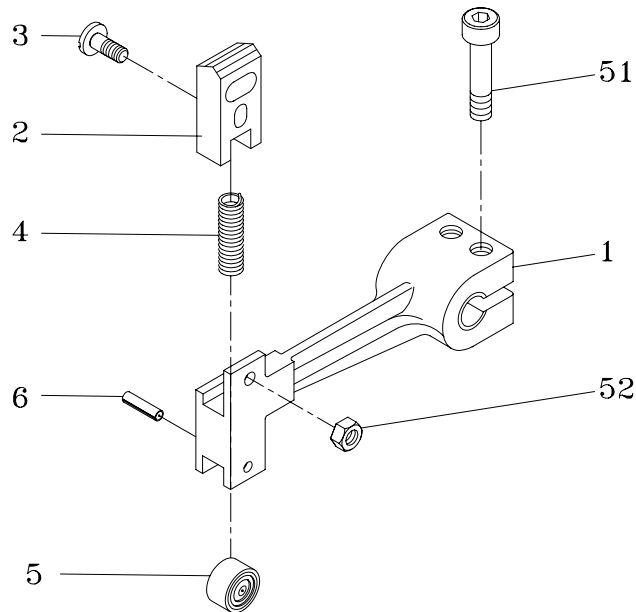
1-3**PRESS GROUP****T6-1-30000**

REF. NO.	PART NO.	DESCRIPTION	Q'TY	REMARKS
1	T6-1-30110	Press Arm Shaft	1	
2	T6-1-30120	Cutter Tension Spring Hook	1	
3	T6-1-30130	Upper Roller Spring	1	
4	T6-1-30140	Upper Shaft Spring Adjuster	1	
5	T6-1-30150	Press Tension Spring	3	
6	T6-1-30160	Cutter Tension Spring	1	
7	T6-1-30170	Press Arm End Plate	1	
10	BR6304ZZ	Bearing, 6304ZZ	2	
11	ER15	Snap Ring, E-15	1	
12	T6-1-31000	RH, Block Arm Ass'y	1	SEE PAGE 11
	T6-1-31000S	RH, Block Arm Ass'y (Stainless Steel Model)	1	SEE PAGE 11
13	T6-1-32000	Center Block Arm Ass'y	1	SEE PAGE 12
	T6-1-32000S	Center Block Arm Ass'y (Stainless Steel Model)	1	SEE PAGE 12
14	T6-1-33000	LH, Block Arm Ass'y	1	SEE PAGE 13
15	HBS0620	HBS, M6x20	1	
16	HSS0615	HSS, M6x15	2	
17	TMS0610	TMS, M6x10	2	
18	HN08	HN, M8	2	
19	HN06	HN, M6	2	
20	PW08A	PW, M8 (A)	1	
21	PW06B	PW, M6 (B)	2	
22	SW06	SW, M6	1	

1-3-1

RH, BLOCK ARM ASS'Y

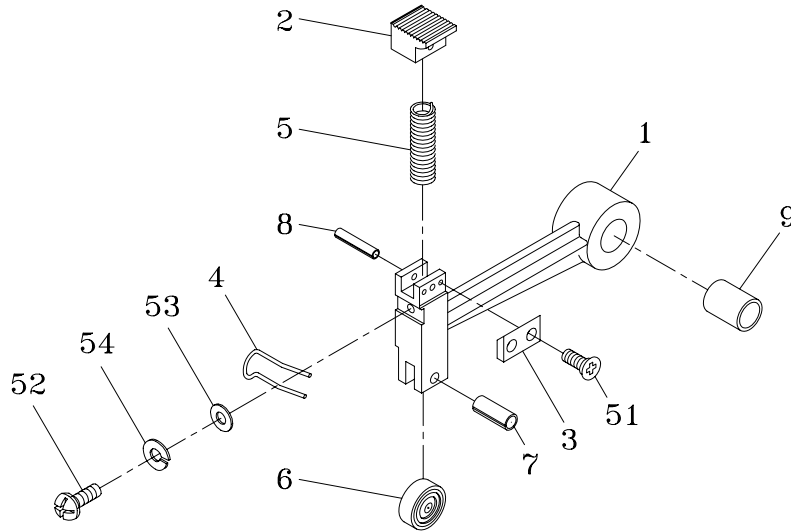
T6-1-31000



REF. NO.	PART NO.	DESCRIPTION	Q'TY	REMARKS
1	T6-1-31110	RH, Block Arm	1	
2	T6-1-31120	Upper Cutter	1	
	T6-1-31120S	Upper Cutter (Stainless Steel Model)	1	
3	T6-1-31130	Upper Cutter Pin	1	
4	T6-1-31140	RH, Block Spring	1	
5	BR628ZZ	Bearing, 628ZZ	1	
6	SP0824	Spring Pin, 8x24	1	
51	HBS0835H	HBS, M8x35(H)	2	
52	HN10	HN, M10	1	

1-3-2

CENTER BLOCK ARM ASS'Y T6-1-32000

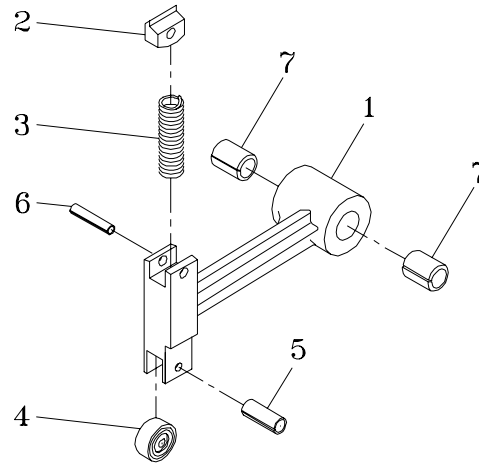


REF. NO.	PART NO.	DESCRIPTION	Q'TY	REMARKS
1	T6-1-32110	Center Block Arm	1	
2	T6-1-32120	Universal Press	1	
	T6-1-32120S	Universal Press (Stainless Steel Model)	1	
3	T6-1-32130	Lower Cutter	1	
	T6-1-32130S	Lower Cutter (Stainless Steel Model)	1	
4	T6-1-32140	Cutter Spring Hook	1	
5	T6-1-32150	LH & Center Block Spring	1	
6	BR628ZZ	Bearing, 628ZZ	1	
7	SP0820	Spring Pin, 8x20	1	
8	SP0622	Spring Pin, 6x22	1	
9	MB2025	Metal Bush, 2025	1	
51	FMS0510S	FMS, M5x10 (Stainless Steel Model)	2	
52	PMS0610	PMS, M6x10	1	
53	PW06A	PW, M6 (A)	1	
54	SW06	SW, M6	1	

1-3-3

LH, BLOCK ARM ASS'Y

T6-1-33000

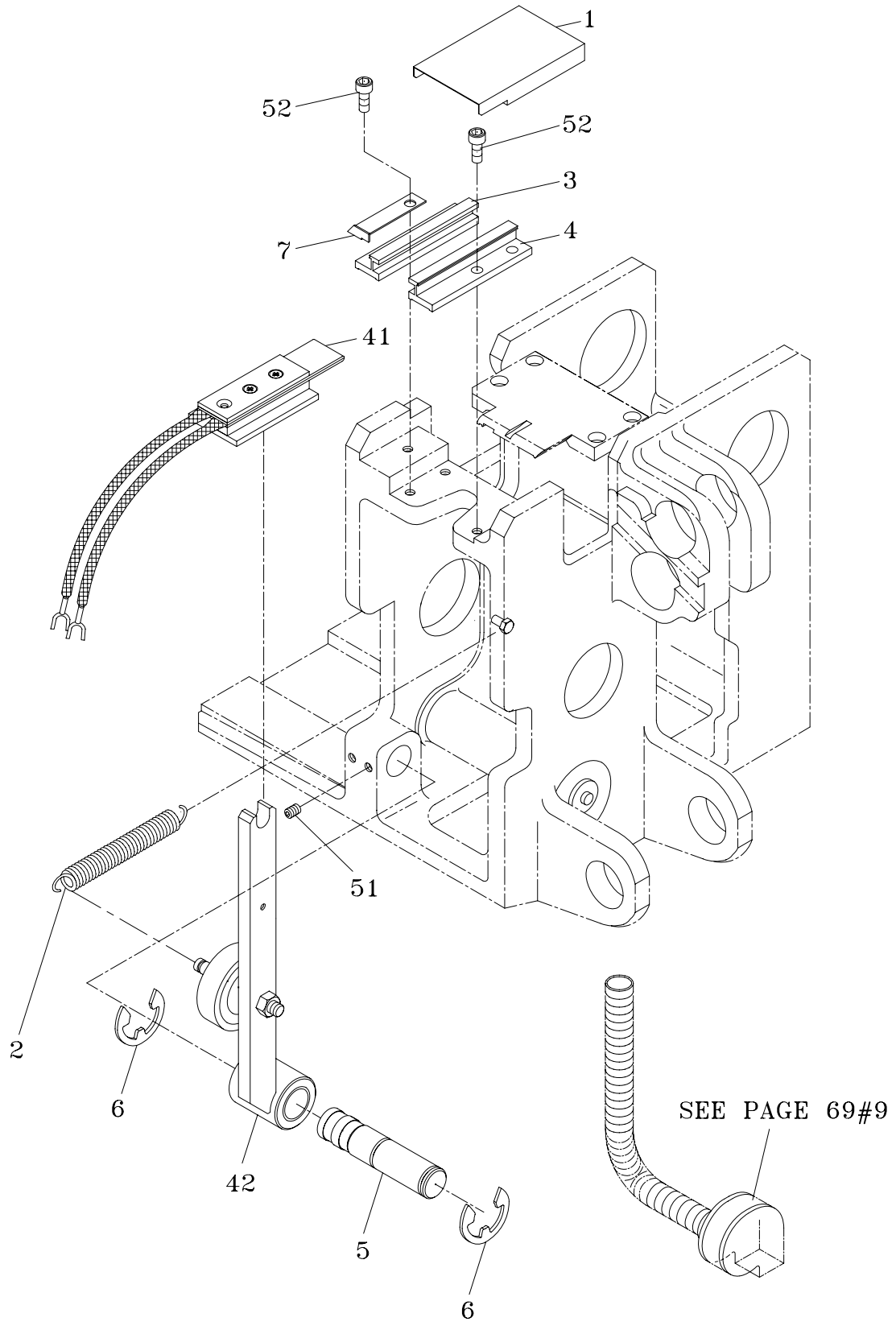


REF. NO.	PART NO.	DESCRIPTION	Q'TY	REMARKS
1	T6-1-33110	LH, Block Arm	1	
2	T6-1-33120	Left Jaw	1	
3	T6-1-32150	LH & Center Block Spring	1	
4	BR628ZZ	Bearing , 628ZZ	1	
5	SP0820	Spring Pin, 8x20	1	
6	SP0622	Spring Pin, 6x22	1	
7	MB2020	Metal Bush, 2020	2	

1-4

HEATER GROUP

T6-1-40003



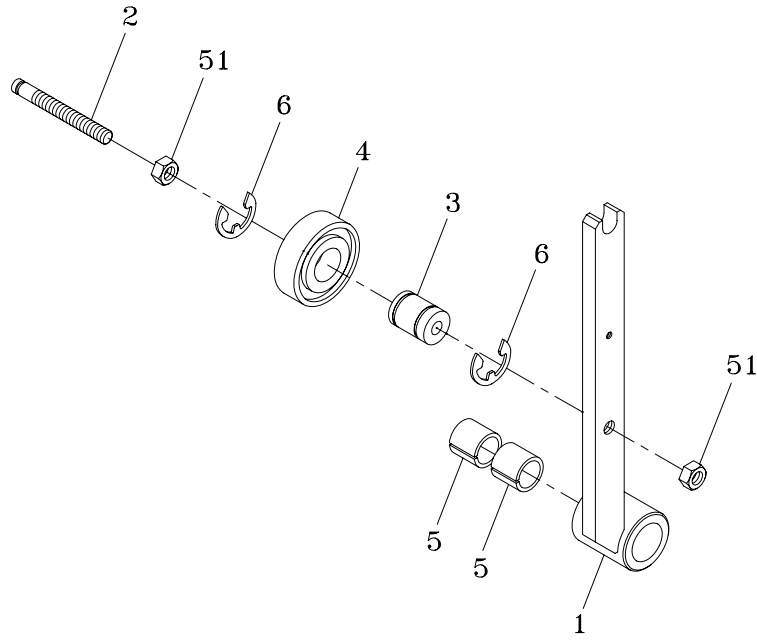
1-4**HEATER GROUP****T6-1-40003**

REF. NO.	PART NO.	DESCRIPTION	Q'TY	REMARKS
1	T6-1-40110	Heater Cover(For TP-601A)	1	
	T6-1-40111	Heater Cover(For TP-601B/BP)	1	
2	T6-1-40120	Heater Crank Spring	1	
3	T6-1-40130	Heater Slider Guide (L)	1	
4	T6-1-40140	Heater Slider Guide (R)	1	
5	T6-1-40150	Heater Crank Shaft	1	
6	ER15	Snap Ring, E-15	2	
7	T6-1-40170	Heater Stopper	1	
41	T6-1-41000	Heater Set	1	
42	T6-1-42000	Heater Crank Set	1	SEE PAGE 16
51	HSS0610	HSS, M6x10	2	
52	HBS0615	HBS, M6x15	4	

1-4-2

HEATER CRANK SET

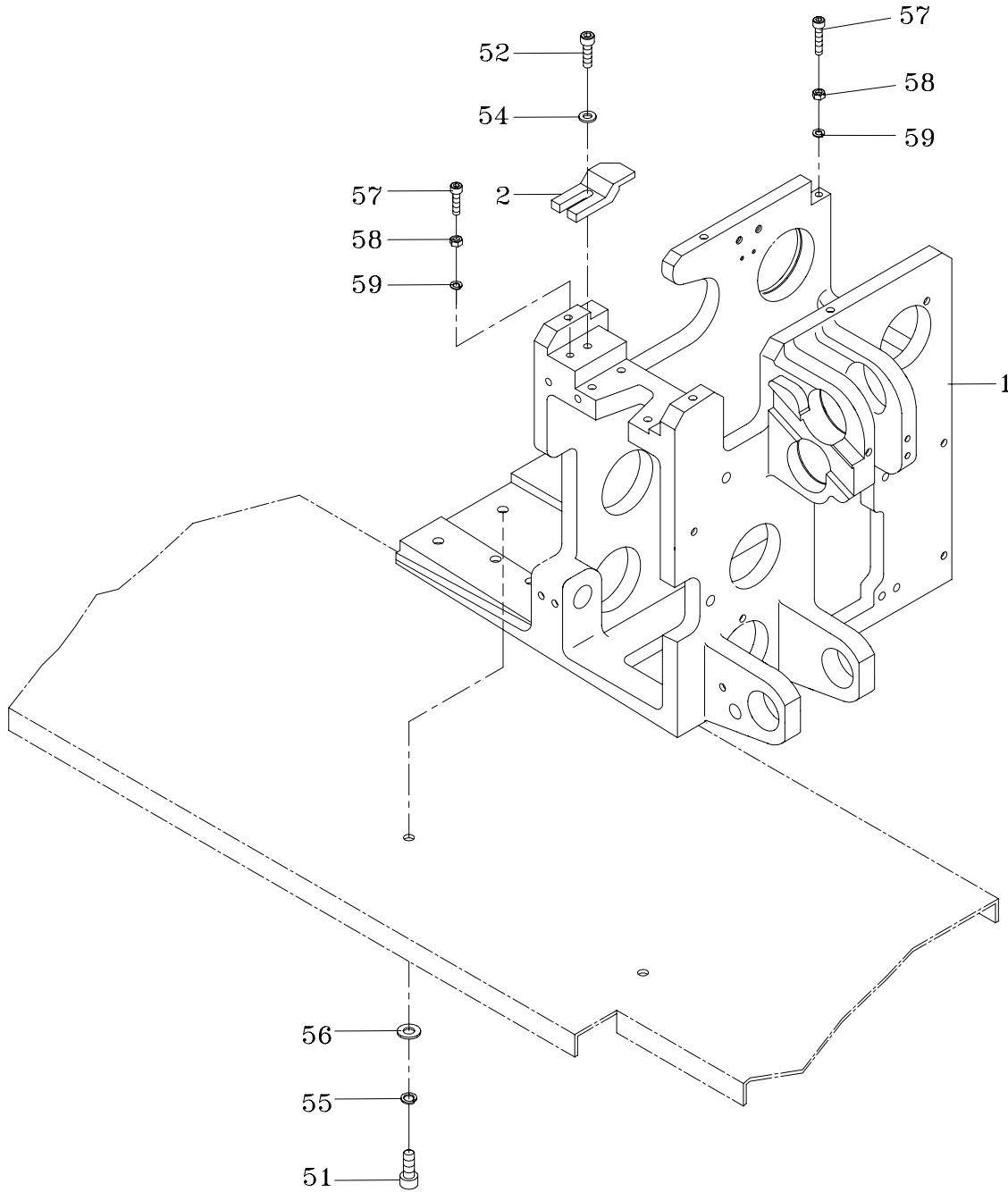
T6-1-42000



REF. NO.	PART NO.	DESCRIPTION	Q'TY	REMARKS
1	T6-1-42110	Heater Crank	1	
2	T6-1-42120	Heater Bearing Shaft	1	
3	T6-1-42130	Heater Crank Collar	1	
4	BR6304ZZ	Bearing, 6304ZZ	1	
5	MB2015	Metal Bush, 2015	2	
6	ER15	Snap Ring, E-15	2	
51	HN08	HN, M8	2	

1-5 STRAPPING HEAD GROUP

T6-1-50004
T6-1-50005



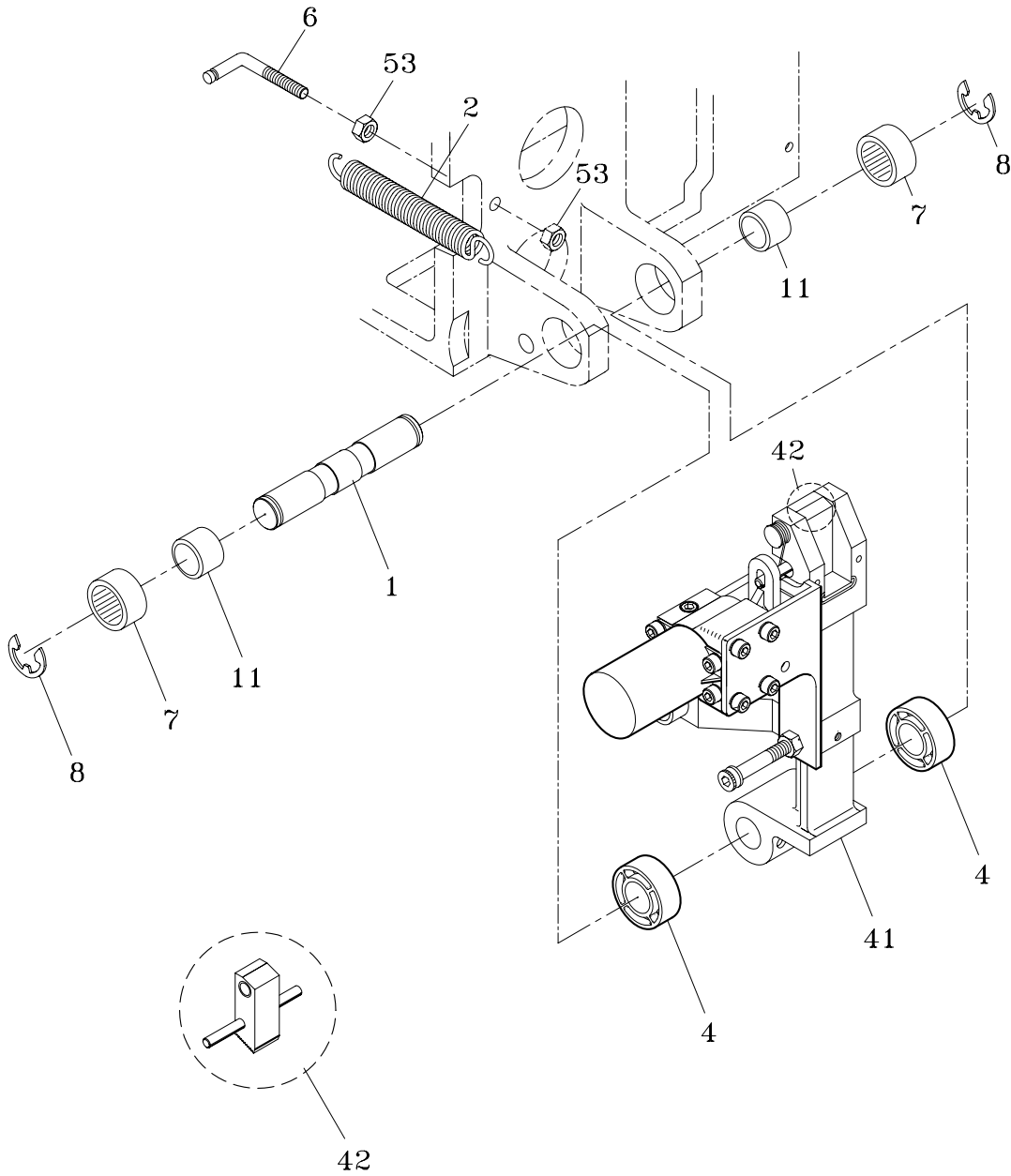
1-5**STRAPPING HEAD GROUP****T6-1-50004****T6-1-50005**

REF. NO.	PART NO.	DESCRIPTION	Q'TY	REMARKS
	T6-1-50004	Strapping Head Group (For TP-601B/TP-601BP)	1	
	T6-1-50005	Strapping Head Group (For TP-601A)	1	
1	T6-1-50102	Strapping Head (For TP-601B/TP-601BP)	1	
	T6-1-50103	Strapping Head (For TP-601A)	1	
2	T6-1-50111	Band Width Block (For TP-601A)	1	
	T6-1-50112	Band Width Block (For TP-601B/TP-601BP)	1	
51	HBS0820	HBS, M8x20	4	
52	HBS0620	HBS, M6x20 (For TP-601A)	1	
	HBS0516	HBS, M5x16 (For TP-601B/BP)	1	
54	PW06B	PW, M6 (B) (For TP-601A)	1	
	PW05	PW, M5 (For TP-601B/BP)	1	
55	SW08	SW, M8	4	
56	PW08C	PW, M8 (C)	4	
57	HBS0525	HBS, M5x25 (For TP-601B/TP-601BP)	2	
58	HN05	HN, M5 (For TP-601B/TP-601BP)	2	
59	SW05	SW, M5 (For TP-601B/TP-601BP)	2	

1-6

TENSION GROUP

T6-1-60003



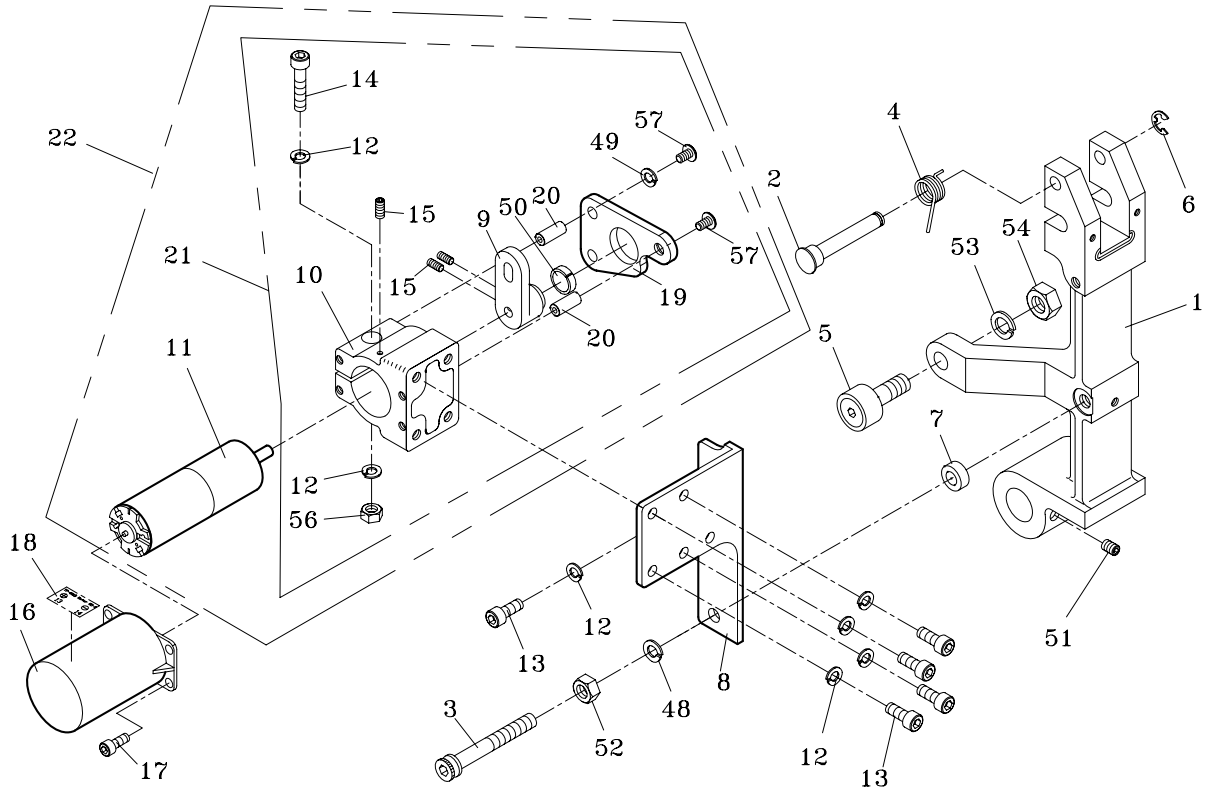
1-6**TENSION GROUP****T6-1-60003**

REF. NO.	PART NO.	DESCRIPTION	Q'TY	REMARKS
1	T6-1-60111	Tension Arm Shaft	1	
2	T6-1-60120	Tension Arm Spring	1	
4	T6-1-60140	Tension Arm Spacer	2	
6	T6-1-60160	Tension Arm Spring Hook L-Type	1	
7	BRHK2516	Bearing, HK2516	2	
8	ER15	Snap Ring, E-15	2	
11	BRIR202517	Bearing, IR202517	2	
41	T6-1-61001	Tension Arm Ass'y	1	SEE PAGE 21
42	T6-1-62000	Tension Jaw Set	1	
	T6-1-62000S	Tension Jaw Set (Stainless Steel Model)	1	
53	HN08	HN, M8	2	

1-6-1

TENSION ARM ASS'Y

T6-1-61001



REF. NO.	PART NO.	DESCRIPTION	Q'TY	REMARKS
1	T6-1-61110	Tension Arm	1	
2	T6-1-61120	Tension Jaw Shaft	1	
3	T6-1-61130	Tension Arm Spring Hook I-Type	1	
4	T6-1-61140	Tension Jaw Spring	1	
5	T6-1-20250	Cam Follower, KR22xLL	1	
6	ER06	Snap Ring, E-6	1	
7	T6-1-61170	Spacer	1	
8	T6-1-61180	Support	1	
9	T6-1-61190	Lever	1	
10	T6-1-61200	Bracket	1	
11	T6-1-61210	Motor (M5-1)	1	
12	SW06	SW, M6	9	
13	HBS0616	HBS, M6x16	5	
14	HBS0630	HBS, M6x30	1	
15	HSS0508	HSS, M5x8	3	
16	T6-1-61260	Cover	1	
17	HBS0510	HBS, M5x10	4	
18	T6-1-61280	Panel	1	

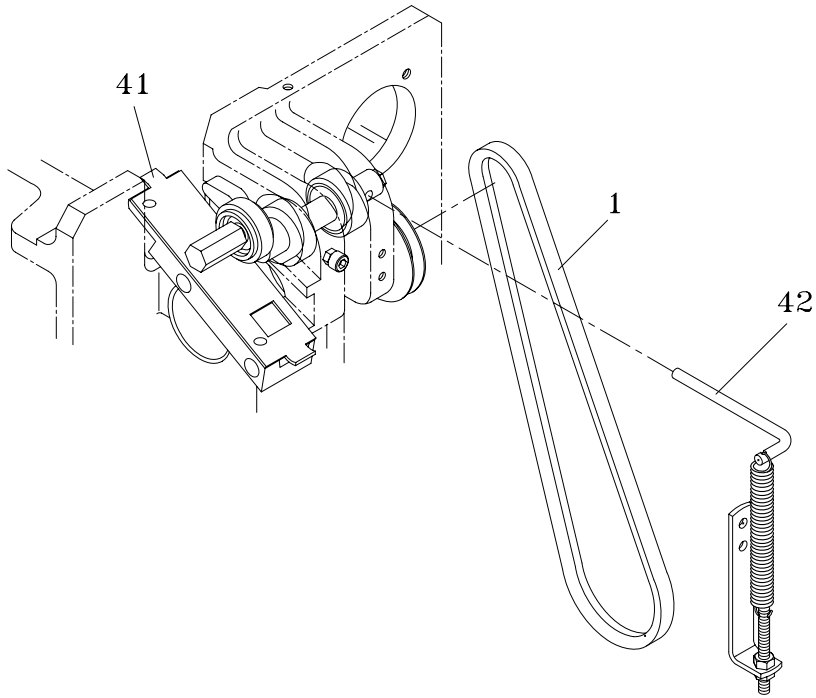
1-6-1**TENSION ARM ASS'Y****T6-1-61001**

REF. NO.	PART NO.	DESCRIPTION	Q'TY	REMARKS
19	T6-1-61290	Support Plate	1	
20	T6-1-61300	Collar	3	
21	T6-1-61100	Bracker Ass'y	1	
22	T6-1-61101	Motor (M5-1) Ass'y	1	
48	SW08	SW, M8	1	
49	SW05	SW, M5	2	
50	MB1504	Metal Bush, 1504	1	
51	HSS0810	HSS, M8x10	2	
52	HN08	HN, M8	1	
53	SW10	SW, M10	1	
54	HN10	HN, M10	1	
56	HN06	HN, M6	1	
57	THS0540	THS, M5x40	3	

1-7

FEED GROUP

T6-1-70004
T6-1-70005

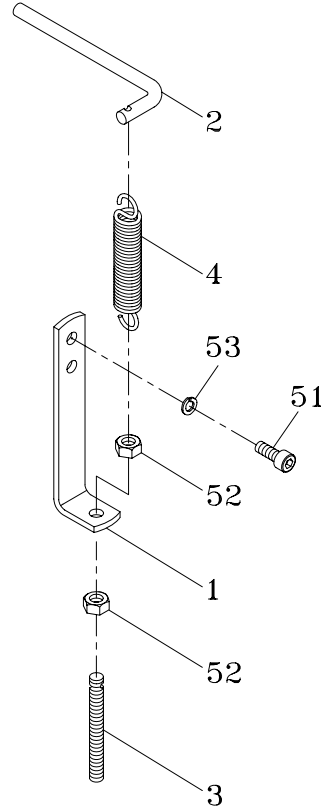


REF. NO.	PART NO.	DESCRIPTION	Q'TY	REMARKS
1	T6-1-70004	Feed Group (For 12mm)	1	
	T6-1-70005	Feed Group (For 9mm)	1	
	T6-1-70112	V-Belt M-23	1	
41	T6-1-71002	Feed Ass'y (For 12mm)	1	SEE PAGE 24
	T6-1-71003	Feed Ass'y (For 9mm)	1	SEE PAGE 24
42	T6-1-72000	Upper Adjusting Weight Set	1	SEE PAGE 26

1-7-1**FEED ASS'Y****T6-1-71002****T6-1-71003**

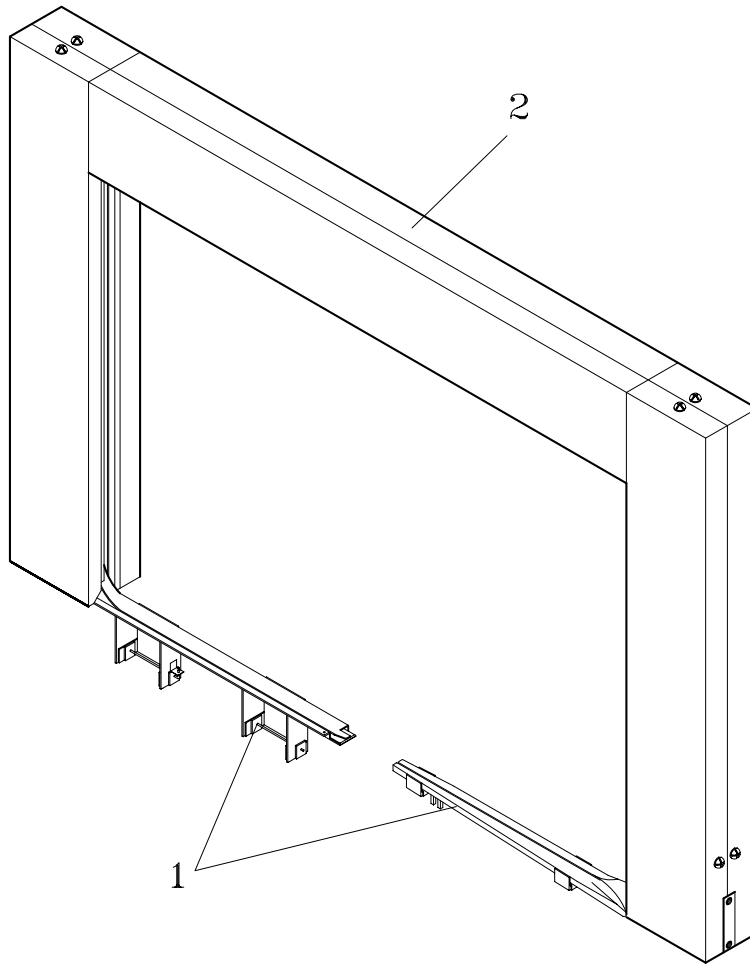
REF. NO.	PART NO.	DESCRIPTION	Q'TY	REMARKS
	T6-1-71002	Feed Ass'y (For 12mm)	1	
	T6-1-71003	Feed Ass'y (For 9mm)	1	
1	T6-1-71123	Upper Feed Roller (For 12mm)	1	
	T6-1-71124	Upper Feed Roller (For 9mm)	1	
2	T6-1-71130	Upper Feed Roller Shaft	1	
3	T6-1-71140	Feed Roller	1	
	T6-1-71140S	Feed Roller (Stainless Steel Model)	1	
4	T6-1-71150	Lever Holder	1	
5	T6-1-71160	Feed Roller Pulley	1	
6	T6-1-71170	Feed Shooter (For 12mm)	1	
	T6-1-71170S	Feed Shooter (For 12mm) (Stainless Steel Model)	1	
	T6-1-71171	Feed Shooter (For 9mm)	1	
	T6-1-71171S	Feed Shooter (For 9mm) (Stainless Steel Model)	1	
7	T6-1-71180	Feed Shooter Cover	1	
	T6-1-71180S	Feed Shooter Cover (Stainless Steel Model)	1	
8	T6-1-71193	Upper Feed Roller Ass'y (For 12mm)	1	
	T6-1-71194	Upper Feed Roller Ass'y (For 9mm)	1	
13	BR628ZZ	Bearing, 628ZZ	1	
14	BR6202ZZ	Bearing, 6202ZZ	4	
15	RR24	Snap Ring, H-24	2	
16	RR35	Snap Ring, H-35	4	
17	ER12	Snap Ring, E-12	1	
18	HBS0645H	HBS, M6x45 (H)	2	
	HBS0645HS	HBS, M6x45 (H)(Stainless Steel Model)	2	
19	HBS0615	HBS, M6x15	1	
20	HSS0615	HSS, M6x15	1	
21	HSS0610	HSS, M6x10	2	
22	PMS0610	PMS, M6x10	2	
	PMS0610S	PMS, M6x10 (Stainless Steel Model)	2	
23	HN06	HN, M6	2	

1-7-2 UPPER ADJUSTING WEIGHT SET T6-1-72000



REF. NO.	PART NO.	DESCRIPTION	Q'TY	REMARKS
1	T6-1-72110	Upper Adjusting Base	1	
2	T6-1-72120	Upper Adjusting Spring Hook	1	
3	T6-1-72130	Upper Adjusting Spring Rod	1	
4	T6-1-72140	Spring	1	
51	HBS0512	HBS, M5x12	2	
52	HN06	HN, M6	2	
53	SW05	SW, M5	2	

2

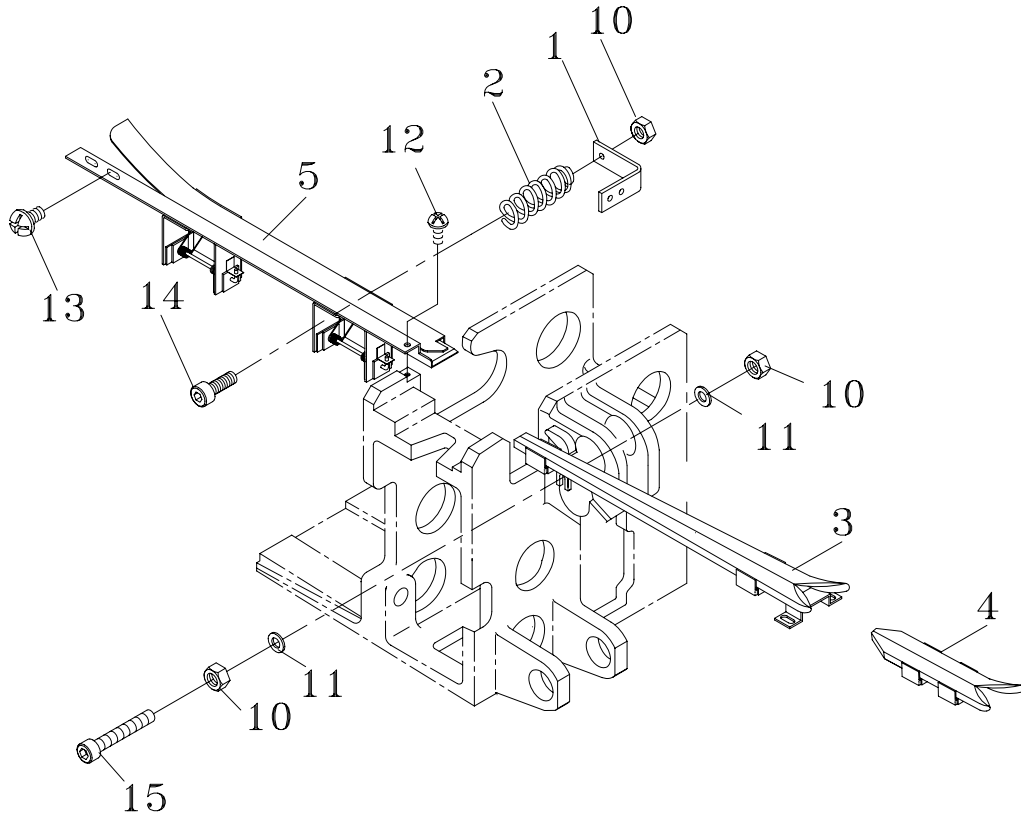
BANDWAY UNIT**T6-2-90002****T6-2-90004****T6-2-90005**

REF. NO.	PART NO.	DESCRIPTION	Q'TY	REMARKS
1	T6-2-90002	Bandway Unit (For TP-601B)	1	
	T6-2-90004	Bandway Unit (For TP-601BP)	1	
	T6-2-90005	Bandway Unit (For TP-601A)	1	
	T6-2-10002	Bandway Group (For TP-601B/TP-601BP) (For 12mm)	1	SEE PAGE 28
	T6-2-10005	Bandway Group (For TP-601B/TP-601BP) (For 9mm)	1	SEE PAGE 28
2	T6-2-10006	Bandway Group (For TP-601A, 12mm)	1	SEE PAGE 28
	T6-2-10007	Bandway Group (For TP-601A, 9mm)	1	SEE PAGE 28
	T6-2-20000	Chute Arch Group (For TP-601A/B)	1	SEE PAGE 33
	T6-2-20001	Chute Arch Group (For TP-601BP)	1	SEE PAGE 33

2-1

BANDWAY GROUP

**T6-2-10002
T6-2-10005**



REF. NO.	PART NO.	DESCRIPTION	QTY	REMARKS
1	T6-2-10002	Bandway Group (For TP-601B/BP) (For 12mm)	1	
	T6-2-10005	Bandway Group (For TP-601B/BP, 9mm)	1	
	T6-2-10006	Bandway Group (For TP-601A, 12mm)	1	
	T6-2-10007	Bandway Group (For TP-601A, 9mm)	1	
	T6-1-20180	Flap Connecting Spring Bracket (For TP-601B/BP)	1	
	T6-1-20182	Flap Connecting Spring Bracket (For TP-601A)	1	
	2	T6-2-10130	LH Bandway Stop Spring	
3	T6-2-11000	RH Bandway Ass'y (For 12mm)	1	SEE PAGE 30
	T6-2-11001	RH Bandway Ass'y (For 9mm)	1	

2-1**BANDWAY GROUP****T6-2-10002****T6-2-10005**

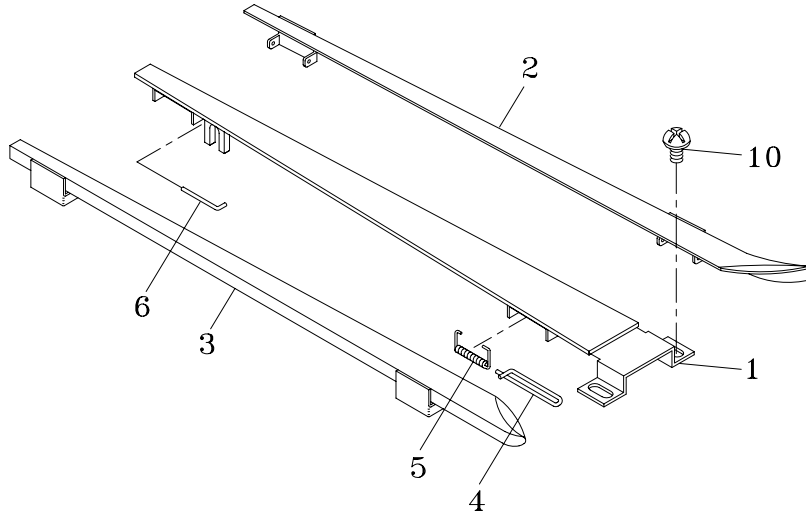
REF. NO.	PART NO.	DESCRIPTION	Q'TY	REMARKS
4	T6-2-11020	RH Bandway Ass'y (For TP-601B/BP, 1250W)	1	
5	T6-2-12000	LH Bandway Ass'y (For 850W, 12mm) (For TP-601A)	1	SEE PAGE 32
	T6-2-12001	LH Bandway Ass'y (For 850W, 9mm) (For TP-601A)	1	SEE PAGE 32
	T6-2-12020	LH Bandway Ass'y (For 1050W, 12mm) (For TP-601A)	1	
	T6-2-12021	LH Bandway Ass'y (For 1050W, 9mm) (For TP-601A)	1	
	T6-2-12030	LH Bandway Ass'y (For 1250W, 12mm) (For TP-601A)	1	
	T6-2-12031	LH Bandway Ass'y (For 1250W, 9mm) (For TP-601A)	1	
	T6-2-13000	LH Bandway Ass'y (For 850W, 12mm) (For TP-601B/601BP)	1	SEE PAGE 32
	T6-2-13001	LH Bandway Ass'y (For 850W, 9mm) (For TP-601B/601BP)	1	SEE PAGE 32
	T6-2-13010	LH Bandway Ass'y (For 1050W, 1250W, 12mm) (For TP-601B/601BP)	1	
	T6-2-13011	LH Bandway Ass'y (For 1050W, 1250W, 9mm) (For TP-601B/601BP)	1	
10	HN06	HN, M6	3	
11	PW06A	PW, M6 (A)	2	
12	TMS0508	TMS, M5x8	1	
13	TMS0608	TMS, M6x8	2	
14	HBS0615	HBS, M6x15	1	
15	HBS0650	HBS, M6x50 (For TP-601B/BP)	1	
	HBS0640	HBS, M6x40 (For TP-601A)	1	

2-1-1

RH BANDWAY ASS'Y

T6-2-11000

T6-2-11001



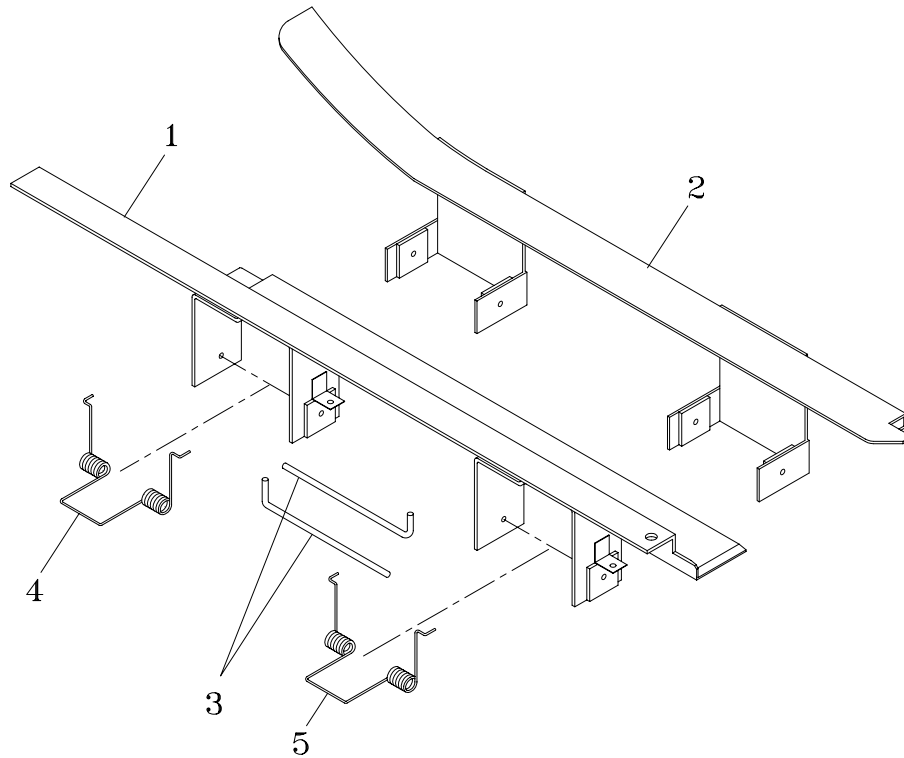
REF. NO.	PART NO.	DESCRIPTION	Q'TY	REMARKS	
1	T6-2-11000	RH Bandway Ass'y (For 12mm)	1		
	T6-2-11001	RH Bandway Ass'y (For 9mm)	1		
	T6-2-11110	RH Bandway (For 12mm)	1		
	T6-2-11111	RH Bandway (For 9mm)	1		
	2	T6-2-11120	RH Bandway Rear Flap (For 12mm)	1	
		T6-2-11121	RH Bandway Rear Flap (For 9mm)	1	
3	T6-2-11130	RH Bandway Front Flap (For 12mm)	1		
	T6-2-11131	RH Bandway Front Flap (For 9mm)	1		
4	T6-2-11140	RH Bandway Flap Pin (Rear)	2		
5	T6-2-11150	RH Bandway Flap Spring	2		
6	T6-2-11160	RH Bandway Flap Pin (Front)	2		
10	TMS0608	TMS, M6x8	2		

2-1-2

LH BANDWAY ASS'Y

T6-2-12000

T6-2-13000



REF. NO.	PART NO.	DESCRIPTION	Q'TY	REMARKS
1	T6-2-12000	LH Bandway Ass'y (For TP-601A, 12mm)	1	
	T6-2-12001	LH Bandway Ass'y (For TP-601A, 9mm)	1	
	T6-2-13000	LH Bandway Ass'y (For TP-601B/ TP-601BP, 12mm)	1	
	T6-2-13001	LH Bandway Ass'y (For TP-601B/ TP-601BP, 9mm)	1	
	T6-2-12110	LH Bandway (For 850W, 12mm) (For TP-601A)	1	
	T6-2-12200	LH Bandway (For 850W, 9mm) (For TP-601A)	1	
	T6-2-12112	LH Bandway (For 1050W, 12mm) (For TP-601A)	1	
	T6-2-12202	LH Bandway (For 1050W, 9mm) (For TP-601A)	1	
	T6-2-12113	LH Bandway (For 1250W, 12mm) (For TP-601A)	1	
T6-2-12203	LH Bandway (For 1250W, 9mm) (For TP-601A)	1		

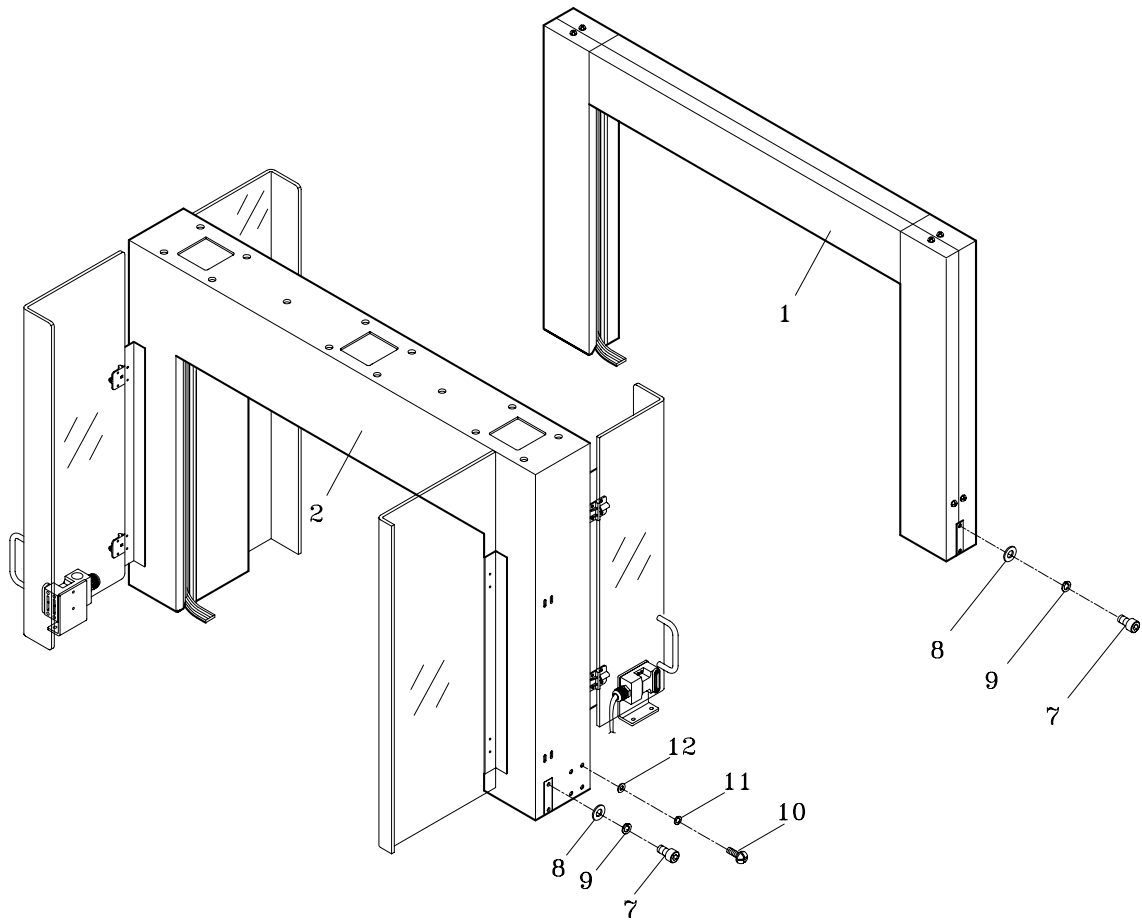
2-1-2**LH BANDWAY ASS'Y****T6-2-12000****T6-2-13000**

REF. NO.	PART NO.	DESCRIPTION	Q'TY	REMARKS
	T6-2-13110	LH Bandway (For 850W, 12mm) (For TP-601B/TP-601BP)	1	
	T6-2-13200	LH Bandway (For 850W, 9mm) (For TP-601B/TP-601BP)	1	
	T6-2-13111	LH Bandway (For 1050, 1250W, 12mm) (TP-601B/TP-601BP)	1	
	T6-2-13201	LH Bandway (For 1050, 1250W, 9mm) (For TP-601B/TP-601BP)	1	
2	T6-2-12120	LH Bandway Flap (For 850W, 12mm)	1	
	T6-2-12210	LH Bandway Flap (For 850W, 9mm)	1	
	T6-2-12122	LH Bandway Flap (For 1050W, 12mm)	1	
	T6-2-12212	LH Bandway Flap (For 1050W, 9mm)	1	
	T6-2-12123	LH Bandway Flap (For 1250W, 12mm)	1	
	T6-2-12213	LH Bandway Flap (For 1250W, 9mm)	1	
3	T6-2-12130	LH Bandway Flap Pin (For 850W~1050W)	2	
		LH Bandway Flap Pin (For 1250W)	3	
4	T6-2-12140	LH Bandway Flap Spring (For 850W~1050W)	1	
		LH Bandway Flap Spring (For 1250W)	2	
5	T6-2-12150	LH Bandway Flap Spring	1	

2-2

CHUTE ARCH GROUP

T6-2-20000

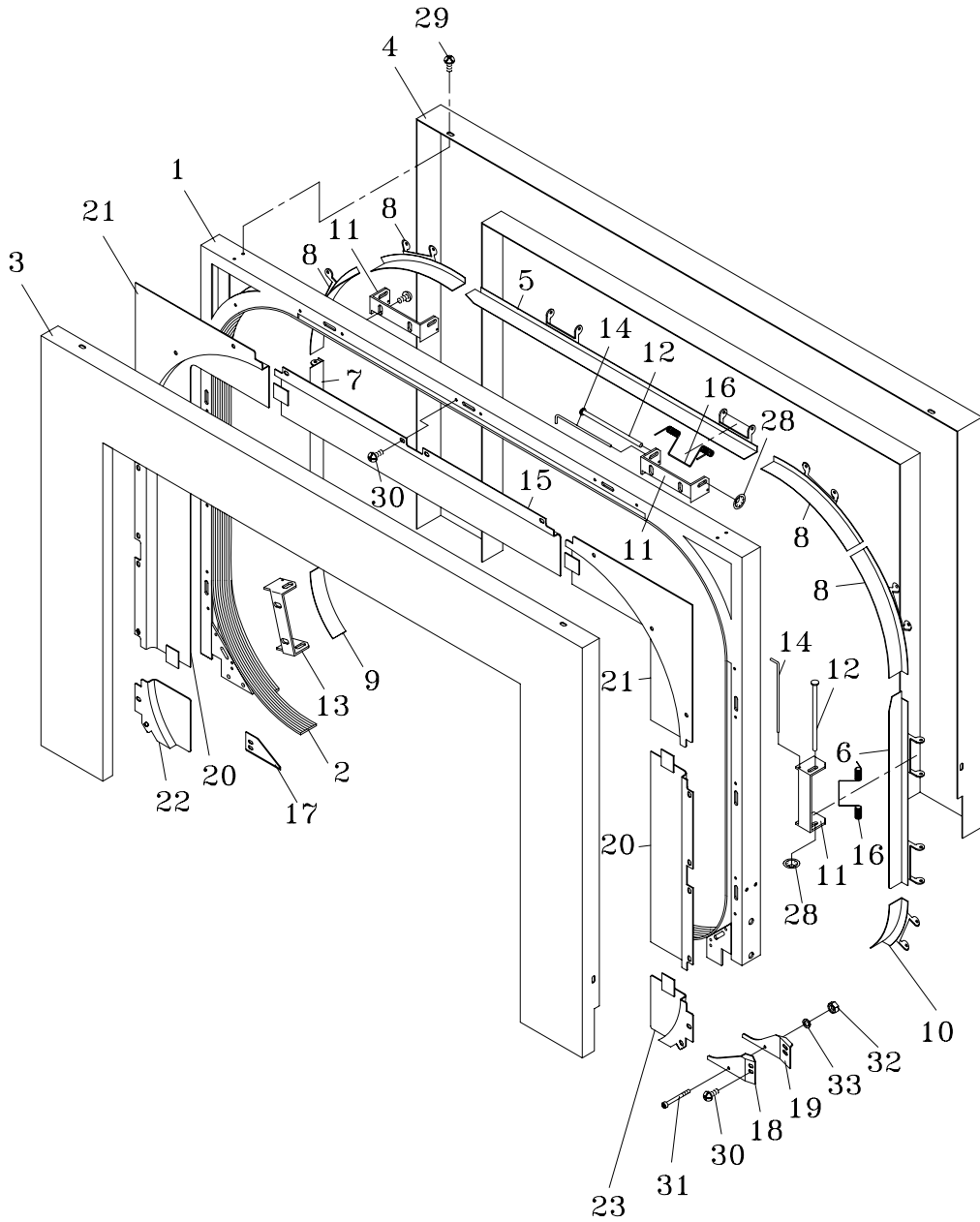


REF. NO.	PART NO.	DESCRIPTION	Q'TY	REMARKS
	T6-2-20000	Chute Arch Group (For TP-601A/B)	1	
	T6-2-20001	Chute Arch Group (For TP-601BP)	1	
1	T6-2-21000	Arch Ass'y (For TP-601A/B)	1	SEE PAGE 34
2	T6-2-22000	Arch Ass'y (For TP-601BP)	1	SEE PAGE 38
7	HBS0816	HBS, M8 x16	4	
	HBS0816S	HBS, M8 x16 (Stainless Steel Model)	4	
8	PW08A	PW, M8 (A)	4	
	PW08AS	PW, M8 (A) (Stainless Steel Model)	4	
9	SW08	SW, M8	4	
	SW08S	SW, M8 (Stainless Steel Model)	4	
10	TMS0612	TMS, M6x12	8	
11	TMS0612S	TMS, M6x12 (Stainless Steel Model)	8	
	SW06	SW, M6	8	
	SW06S	SW, M6 (Stainless Steel Model)	8	
12	PW06A	PW, M6 (A)	8	
	PW06AS	PW, M6 (A) (Stainless Steel Model)	8	

2-2-1

ARCH ASS'Y

T6-2-21000



2-2-1**ARCH ASS'Y****T6-2-21000**

REF. NO.	PART NO.	DESCRIPTION	Q'TY	REMARKS
1	T6-2-20110	Arch Frame (For 850W x 600H)	1	
	T6-2-20110S	Arch Frame (For 850W x 600H) (Stainless Steel Model)	1	
2	T6-2-20120	Arch Bandway (For 850W x 600H)	1	
3	T6-2-20130	Arch Cover, Front (For 850W x 600H)	1	
	T6-2-20130S	Arch Cover, Front (For 850W x 600H) (Stainless Steel Model)	1	
4	T6-2-20140	Arch Cover, Rear (For 850W x 600H)	1	
	T6-2-20140S	Arch Cover, Rear (For 850W x 600H) (Stainless Steel Model)	1	
5	T6-2-20150	Upper Guide Rail (For 850W)	1	
	T6-2-20150S	Upper Guide Rail (For 850W) (Stainless Steel Model)	1	
	T6-2-20151	Upper Guide Rail (For 1050W)	1	
	T6-2-20151S	Upper Guide Rail (For 1050W) (Stainless Steel Model)	1	
	T6-2-20152	Upper Guide Rail (For 1250W)	1	
	T6-2-20152S	Upper Guide Rail (For 1250W) (Stainless Steel Model)	1	
6	T6-2-20160	RH Side Guide Rail (For 600H)	1	
	T6-2-20160S	RH Side Guide Rail (For 600H) (Stainless Steel Model)	1	
	T6-2-20161	RH Side Guide Rail (For 800H)	1	
	T6-2-20161S	RH Side Guide Rail (For 800H) (Stainless Steel Model)	1	
	T6-2-20162	RH Side Guide Rail (For 1000H)	1	
	T6-2-20162S	RH Side Guide Rail (For 1000H) (Stainless Steel Model)	1	
	T6-2-20169	RH Side Guide Rail (For 400H)	1	
T6-2-20169S	RH Side Guide Rail (For 400H) (Stainless Steel Model)	1		
7	T6-2-20170	LH Side Guide Rail (For 600H)	1	
	T6-2-20170S	LH Side Guide Rail (For 600H) (Stainless Steel Model)	1	
	T6-2-20171	LH Side Guide Rail (For 800H)	1	
	T6-2-20171S	LH Side Guide Rail (For 800H) (Stainless Steel Model)	1	
	T6-2-20172	LH Side Guide Rail (For 1000H)	1	
	T6-2-20172S	LH Side Guide Rail (For 1000H)	1	

2-2-1**ARCH ASS'Y****T6-2-21000**

REF. NO.	PART NO.	DESCRIPTION	Q'TY	REMARKS
		(Stainless Steel Model)		
	T6-2-20179	LH Side Guide Rail (For 400H)	1	
	T6-2-20179S	LH Side Guide Rail (For 400H)	1	
		(Stainless Steel Model)		
8	T6-2-20180	Corner Guide Rail, Upper	4	
	T6-2-20180S	Corner Guide Rail, Upper (Stainless Steel Model)	4	
9	T6-2-20190	Corner Guide Rail, Lower (LH)	1	
	T6-2-20190S	Corner Guide Rail, Lower (LH)	1	
		(Stainless Steel Model)		
10	T6-2-20200	Corner Guide Rail, Lower (RH)	1	
	T6-2-20200S	Corner Guide Rail, Lower (RH)	1	
		(Stainless Steel Model)		
11	T6-2-20210	Guide Rail Hinge (1)	11	
12	T6-2-20220	K-Type Guide Rail Hinge Shaft	12	
13	T6-2-20230	Guide Rail Hinge (2)	1	
14	T6-2-20240	Guide Rail Hinge Shaft	11	
15	T6-2-20340	Back Guide Plate, Upper (For 850W)	1	
	T6-2-20340S	Back Guide Plate, Upper (For 850W)	1	
		(Stainless Steel Model)		
	T6-2-20341	Back Guide Plate, Upper (For 1050W)	1	
	T6-2-20341S	Back Guide Plate, Upper (For 1050W)	1	
		(Stainless Steel Model)		
	T6-2-20342	Back Guide Plate, Upper (For 1250W)	1	
	T6-2-20342S	Back Guide Plate, Upper (For 1250W)	1	
		(Stainless Steel Model)		
16	T6-2-21250	Arch Guide Rail Spring	11	
17	T6-2-21260	Guiding Angle, LH Front	1	
	T6-2-21260S	Guiding Angle, LH Front (Stainless Steel Model)	13	
18	T6-2-21280	Guiding Angle, RH Front	1	
	T6-2-21280S	Guiding Angle, RH Front	1	
		(Stainless Steel Model)		
19	T6-2-21290	Guiding Angle, RH Rear	1	
	T6-2-21290S	Guiding Angle, RH Rear	1	
		(Stainless Steel Model)		
20	T6-2-21350	Back Guide Plate, Side (For 600H)	2	
	T6-2-21350S	Back Guide Plate, Side (For 600H)	2	
		(Stainless Steel Model)		
	T6-2-21351	Back Guide Plate, Side (For 800H)	2	

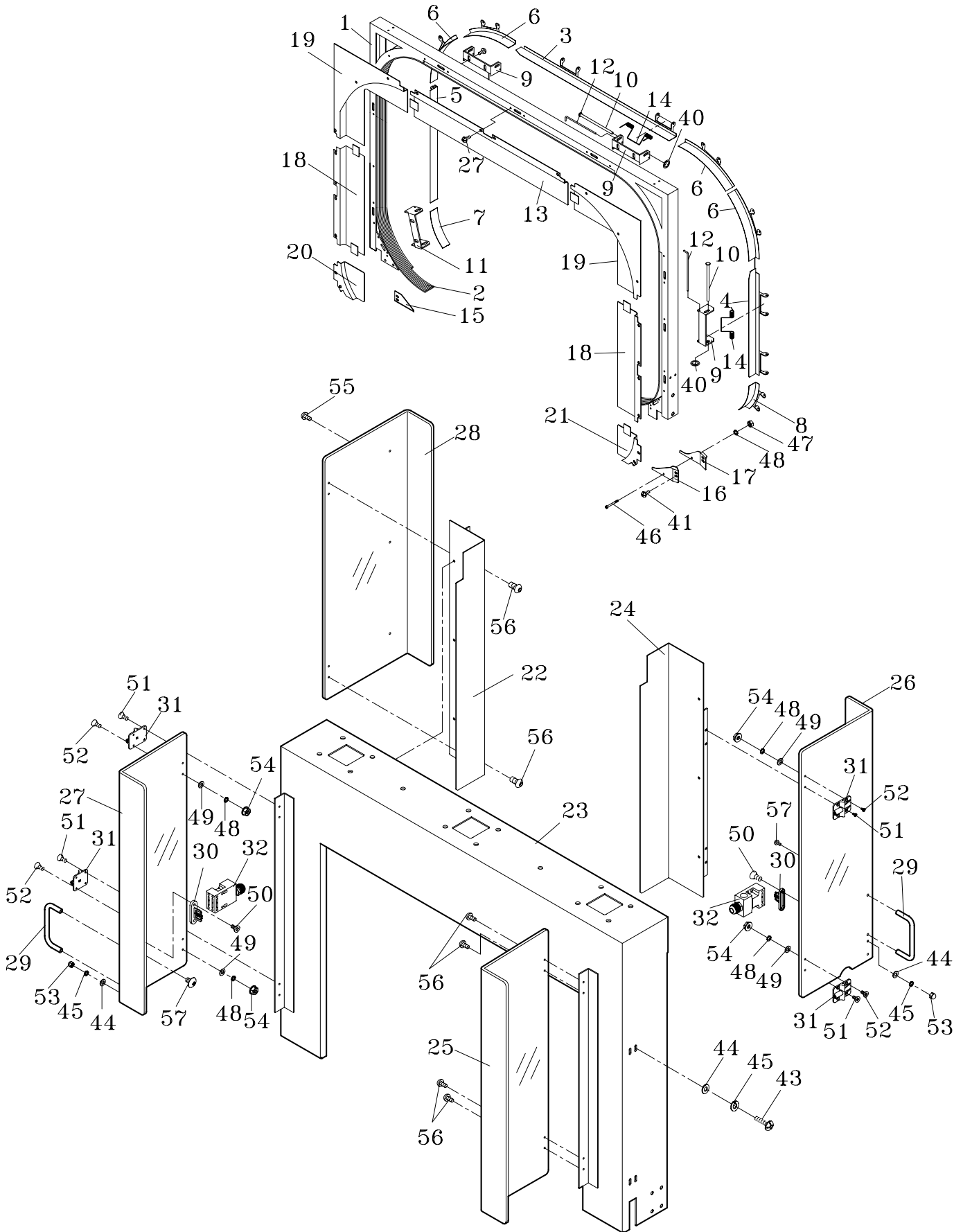
2-2-1**ARCH ASS'Y****T6-2-21000**

REF. NO.	PART NO.	DESCRIPTION	Q'TY	REMARKS
	T6-2-21351S	Back Guide Plate, Side (For 800H) (Stainless Steel Model)	2	
	T6-2-21352	Back Guide Plate, Side (For 1000H)	2	
	T6-2-21352S	Back Guide Plate, Side (For 1000H) (Stainless Steel Model)	2	
	T6-2-21359	Back Guide Plate, Side (For 400H)	2	
	T6-2-21359S	Back Guide Plate, Side (For 400H) (Stainless Steel Model)	2	
	T6-2-21353	Back Guide Plate, Side (For 1200H)	2	
	T6-2-21353S	Back Guide Plate, Side (For 1200H) (Stainless Steel Model)	2	
21	T6-2-21360	Back Guide Plate, Corner Upper	2	
	T6-2-21360S	Back Guide Plate, Corner Upper (Stainless Steel Model)	2	
22	T6-2-21370	Back Guide Plate, LH Lower	1	
	T6-2-21370S	Back Guide Plate, LH Lower (Stainless Steel Model)	1	
23	T6-2-21380	Back Guide Plate, RH Lower	1	
	T6-2-21380S	Back Guide Plate, RH Lower (Stainless Steel Model)	1	
28	PN04	PN, ϕ 4	12	
	PN04S	PN, ϕ 4 (SUS) (OPTION)	12	
29	TMS0508S	TMS, M5x8 (SUS)	8	
30	TMS0408	TMS, M4x8	72	
31	HBS0440H	HBS, M4x40 (H)	1	
32	HN04	HN, M4	1	
33	SW04	SW, M4	1	

2-2-2

ARCH ASS'Y (For TP-601BP)

T6-2-22000



2-2-2

**ARCH ASS'Y
(For TP-601BP)**

T6-2-22000

REF. NO.	PART NO.	DESCRIPTION	Q'TY	REMARKS
1	T6-2-20110	Arch Frame (For 850W x 600H)	1	
2	T6-2-20120	Arch Bandway (For 850W x 600H)	1	
3	T6-2-20150	Upper Guide Rail (For 850W)	1	
	T6-2-20150S	Upper Guide Rail (For 850W) (Stainless Steel Model)	1	
	T6-2-20151	Upper Guide Rail (For 1050W)	1	
	T6-2-20151S	Upper Guide Rail (For 1050W) (Stainless Steel Model)	1	
	T6-2-20152	Upper Guide Rail (For 1250W)	1	
	T6-2-20152S	Upper Guide Rail (For 1250W) (Stainless Steel Model)	1	
4	T6-2-20160	RH Side Guide Rail (For 600H)	1	
	T6-2-20160S	RH Side Guide Rail (For 600H) (Stainless Steel Model)	1	
	T6-2-20161	RH Side Guide Rail (For 800H)	1	
	T6-2-20161S	RH Side Guide Rail (For 800H) (Stainless Steel Model)	1	
	T6-2-20162	RH Side Guide Rail (For 1000H)	1	
	T6-2-20162S	RH Side Guide Rail (For 1000H) (Stainless Steel Model)	1	
	T6-2-20169	RH Side Guide Rail (For 400H)	1	
	T6-2-20169S	RH Side Guide Rail (For 400H) (Stainless Steel Model)	1	
5	T6-2-20170	LH Side Guide Rail (For 600H)	1	
	T6-2-20170S	LH Side Guide Rail (For 600H) (Stainless Steel Model)	1	
	T6-2-20171	LH Side Guide Rail (For 800H)	1	
	T6-2-20171S	LH Side Guide Rail (For 800H) (Stainless Steel Model)	1	
	T6-2-20172	LH Side Guide Rail (For 800H)	1	
	T6-2-20172S	LH Side Guide Rail (For 1000H) (Stainless Steel Model)	1	
	T6-2-20179	LH Side Guide Rail (For 400H)	1	
	T6-2-20179S	LH Side Guide Rail (For 400H) (Stainless Steel Model)	1	
6	T6-2-20180	Corner Guide Rail, Upper	4	
	T6-2-20180S	Corner Guide Rail, Upper (Stainless Steel Model)	4	

2-2-2

ARCH ASS'Y
(For TP-601BP)

T6-2-22000

REF. NO.	PART NO.	DESCRIPTION	Q'TY	REMARKS
7	T6-2-20190	Corner Guide Rail, Lower (LH)	1	
	T6-2-20190S	Corner Guide Rail, Lower (LH) (Stainless Steel Model)	1	
8	T6-2-20200	Corner Guide Rail, Lower (RH)	1	
	T6-2-20200S	Corner Guide Rail, Lower (RH) (Stainless Steel Model)	1	
9	T6-2-20210	Guide Rail Hinge (1)	11	
10	T6-2-20220	K-Type Guide Rail Hinge Shaft	12	
11	T6-2-20230	Guide Rail Hinge (2)	1	
12	T6-2-20240	Guide Rail Hinge Shaft	11	
13	T6-2-20340	Back Guide Plate, Upper (For 850W)	1	
	T6-2-20340S	Back Guide Plate, Upper (For 850W) (Stainless Steel Model)	1	
	T6-2-20341	Back Guide Plate, Upper (For 1050W)	1	
	T6-2-20341S	Back Guide Plate, Upper (For 1050W) (Stainless Steel Model)	1	
	T6-2-20342	Back Guide Plate, Upper (For 1250W)	1	
	T6-2-20342S	Back Guide Plate, Upper (For 1250W) (Stainless Steel Model)	1	
14	T6-2-21250	Arch Guide Rail Spring	11	
15	T6-2-21260	Guiding Angle, LH Front	1	
	T6-2-21260S	Guiding Angle, LH Front (Stainless Steel Model)	1	
16	T6-2-21280	Guiding Angle, RH Front	1	
	T6-2-21280S	Guiding Angle, RH Front (Stainless Steel Model)	1	
17	T6-2-21290	Guiding Angle, RH Rear	1	
	T6-2-21290S	Guiding Angle, RH Rear (Stainless Steel Model)	1	
18	T6-2-21350	Back Guide Plate, Side (For 600H)	2	
	T6-2-21350S	Back Guide Plate, Side (For 600H) (Stainless Steel Model)	2	
	T6-2-21351	Back Guide Plate, Side (For 800H)	2	
	T6-2-21351S	Back Guide Plate, Side (For 800H) (Stainless Steel Model)	2	
	T6-2-21352	Back Guide Plate, Side (For 1000H)	2	
	T6-2-21352S	Back Guide Plate, Side (For 1000H) (Stainless Steel Model)	2	

2-2-2

ARCH ASS'Y
(For TP-601BP)

T6-2-22000

REF. NO.	PART NO.	DESCRIPTION	Q'TY	REMARKS
	T6-2-21359	Back Guide Plate, Side (For 400H)	2	
	T6-2-21359S	Back Guide Plate, Side (For 400H) (Stainless Steel Model)	2	
19	T6-2-21360	Back Guide Plate, Corner Upper	2	
	T6-2-21360S	Back Guide Plate, Corner Upper (Stainless Steel Model)	2	
20	T6-2-21370	Back Guide Plate, LH Lower	1	
	T6-2-21370S	Back Guide Plate, LH Lower (Stainless Steel Model)	1	
21	T6-2-21380	Back Guide Plate, RH Lower	1	
	T6-2-21380S	Back Guide Plate, RH Lower (Stainless Steel Model)	1	
22	T6-2-21689	LH Arch Cover (For 400H)	1	
	T6-2-21680	LH Arch Cover (For 600H)	1	
	T6-2-21681	LH Arch Cover (For 800H)	1	
	T6-2-21682	LH Arch Cover (For 1000H)	1	
23	T6-2-21670	Arch (For 850Wx600H)	1	
24	T6-2-21699	RH Arch Cover (For 400H)	1	
	T6-2-21690	RH Arch Cover (For 600H)	1	
	T6-2-21691	RH Arch Cover (For 800H)	1	
	T6-2-21692	RH Arch Cover (For 1000H)	1	
25	T6-2-22010	Safety Mask, Front Right (For 600~1000H)	1	
	T6-2-22011	Safety Mask, Front Right (For 400H)	1	
26	T6-2-22020	Safety Mask, Rear Right (For 600H~1000H)	1	
	T6-2-22021	Safety Mask, Rear Right (For 400H)	1	
27	T6-2-22030	Safety Mask, Front LH (For 600H~1000H)	1	
	T6-2-22031	Safety Mask, Front LH (For 400H)	1	
28	T6-2-22040	Safety Mask, Rear LH (For 600H~1000H)	1	
	T6-2-22041	Safety Mask, Rear LH (For 400H)	1	
29	T6-5-11150	Table Handle	2	
30	T7-5-10211	Switch Actuator-Adjustable	2	
31	T7-5-41450	Hinges	4	
32	TK-035	Interlock Safety Switch	2	

2-2-2

ARCH ASS'Y
(For TP-601BP)

T6-2-22000

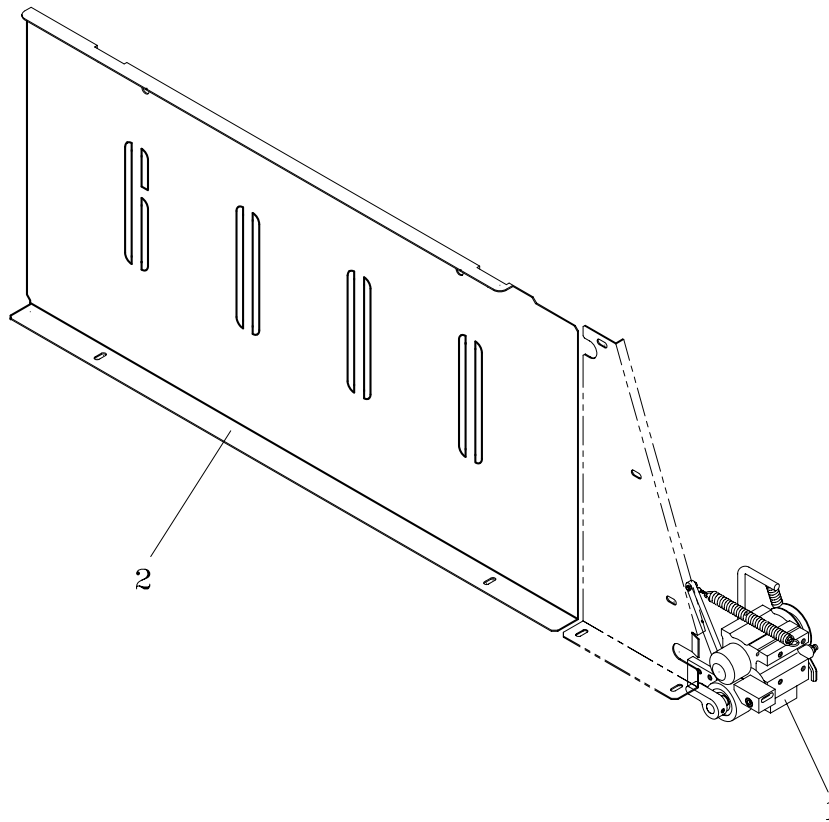
REF. NO.	PART NO.	DESCRIPTION	Q'TY	REMARKS
40	PN04	PN, ϕ 4	12	
	PN04S	PN, ϕ 4 (SUS) (OPTION)	12	
	PN04S	PN, ϕ 4 (Stainless Steel Model)	12	
41	TMS0408	TMS, M4x8	72	
42	TMS0508S	TMS, M5x8 (SUS)	6	
43	TMS0512	TMS, M5x12	8	
44	PW05	PW, M5	12	
45	SW05	SW, M5	12	
46	HBS0440H	HBS, M4x40 (H)	1	
47	HN04	HN, M4	1	
48	SW04	SW, M4	7	
49	PW04	PW, M4	6	
50	FMS0515	FMS, M5x35	4	
51	FMS0410	FMS, M4x10	8	
52	FMS0415	FMS, M4x20	8	
53	CAP05	CAP, M5	4	
54	FLG04	FLG, M4	8	
55	TMS0408	TMS, M4x8	8	
56	THS0416	THS, M4x16	8	
57	TMS0615	TMS, M6x15	4	

3

ACCUMULATOR UNIT

T6-3-90001

T6-3-90003



REF. NO.	PART NO.	DESCRIPTION	Q'TY	REMARKS
1	T6-3-90001	Accumulator Unit (For 12mm)	1	
	T6-3-90003	Accumulator Unit (For 9mm)	1	
2	T6-3-10001	Accumulator Group (For 12mm)	1	SEE PAGE 43
	T6-3-10002	Accumulator Group (For 9mm)	1	SEE PAGE 43
2	T6-3-20001	Accumulator Box Group (For 12 mm)	1	SEE PAGE 47
	T6-3-20002	Accumulator Box Group (For 9mm)	1	SEE PAGE 47

3-1**ACCUMULATOR GROUP****T6-3-10001****T6-3-10002**

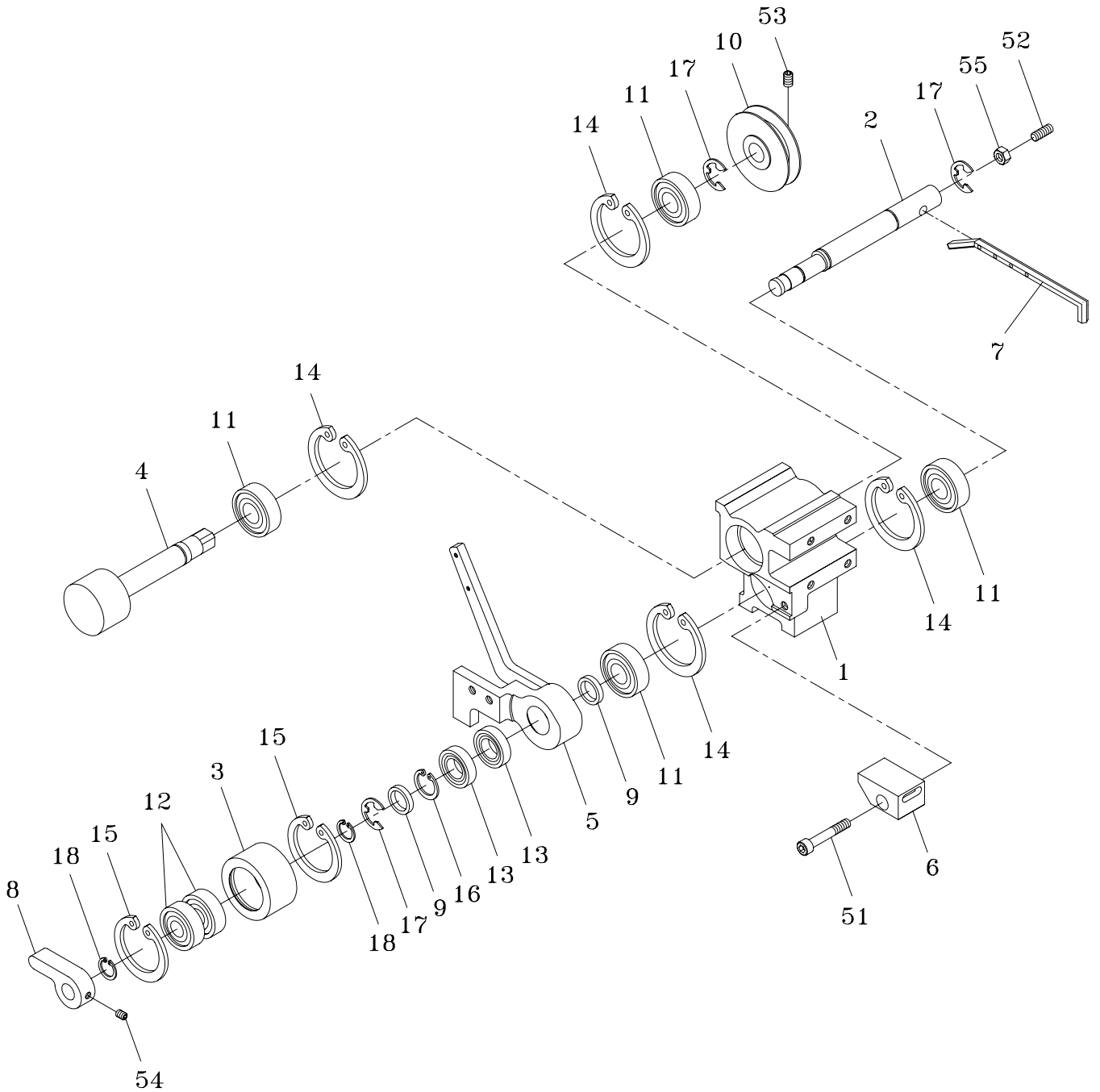
REF. NO.	PART NO.	DESCRIPTION	Q'TY	REMARKS
	T6-3-10001	Accumulator Group (For 12mm)	1	
	T6-3-10002	Accumulator Group (For 9mm)	1	
1	T6-1-72140	Spring	1	
2	T6-3-10110	Balance Bar (For 12mm)	1	
	T6-3-10111	Balance Bar (For 9mm)	1	
3	T6-3-10120	Accumulator Balance Spring	1	
4	T6-3-10130	Accumulator Adjusting Bolt	1	
	T6-3-10130S	Accumulator Adjusting Bolt (Stainless Steel Model)	1	
5	T6-3-10150	Accumulator Spring Adjusting	1	
6	T6-3-10170	Label (Direction)	1	
7	T6-3-10181	V-Belt, M-27	1	
8	T6-3-10190	Balance Bar Spacer (For 12mm)	1	
9	T6-3-10200	Twist Stopper	1	
10	T6-3-10321	Cover	1	
11	T6-3-12000	Accumulator Ass'y (For 12mm)	1	SEE PAGE 45
	T6-3-12001	Accumulator Ass'y (For 9mm)	1	
20	HBS0620	HBS, M6x20	4	
	HBS0620S	HBS, M6x20 (Stainless Steel Model)	4	
21	HBS0616	HBS, M6x16 (For 12mm)	2	
	HBS0612	HBS, M6x12 (For 9mm)	2	
22	PMS0315	PMS, M3x15	1	
23	HN08	HN, M8	3	
	HN08S	HN, M8 (Stainless Steel Model)	3	
24	HN03	HN, M3	1	
25	PW06C	PW, M6 (C)	4	
	PW06CS	PW, M6 (C)(Stainless Steel Model)	4	
26	PW03	PW, M3	1	
27	SW08	SW, M8	1	
28	SW06	SW, M6	6	
	SW06S	SW, M6 (Stainless Steel Model)	6	
29	PW05	PW, M5	2	
30	SW05	SW, M5	2	
31	HBS0510	HBS, M5x10	2	
32	PW06A	PW, M6 (A)	2	

3-1-1

ACCUMULATOR ASS'Y

T6-3-12000

T6-3-12001



3-1-1**ACCUMULATOR ASS'Y****T6-3-12000****T6-3-12001**

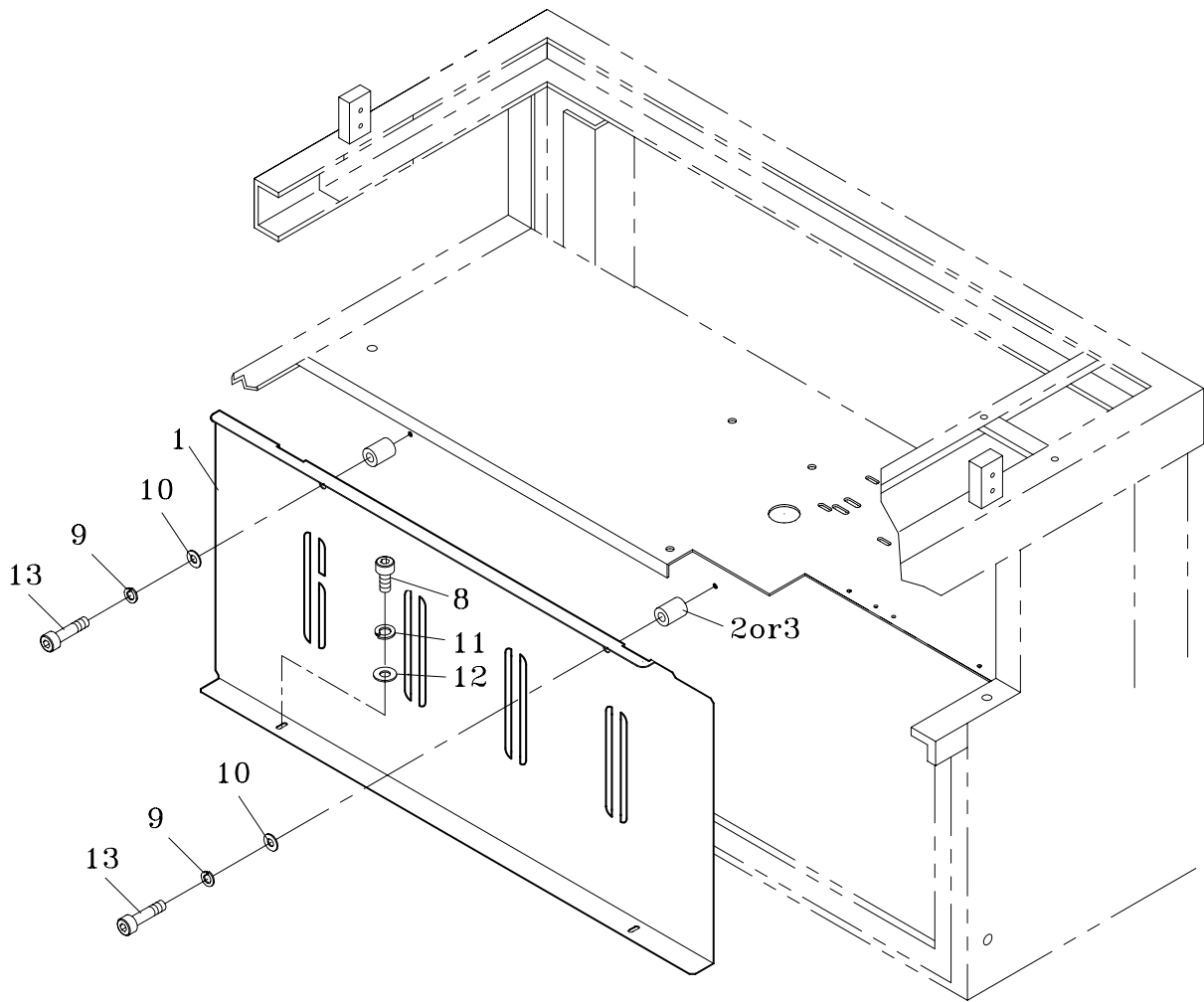
REF. NO.	PART NO.	DESCRIPTION	Q'TY	REMARKS
	T6-3-12000	Accumulator Ass'y (For 12mm)	1	
	T6-3-12001	Accumulator Ass'y (For 9mm)	1	
1	T6-3-11110	Accumulator Bearing Case	1	
2	T6-3-11120	Accumulator Lower Shaft	1	
3	T6-3-11130	Accumulator Lower Roller	1	
4	T6-3-11140	Accumulator Main Roller & Shaft	1	
5	T6-3-11150	Accumulator Balance Bar Holder	1	
6	T6-3-11160	Accumulator Feed Shooter (For 12mm)	1	
	T6-3-11161	Accumulator Feed Shooter (For 9mm)	1	
7	T6-3-12170	Accumulator Lower Shaft Spring Hook	1	
8	T6-3-11180	Knob	1	
9	T6-3-11190	Bearing Collar	2	
10	T6-1-71160	Feed Roller Pulley	1	
11	BR6202ZZ	Bearing, 6202ZZ	4	
12	BR6201ZZ	Bearing, 6201ZZ	2	
13	BR6902ZZ	Bearing, 6902ZZ	2	
14	RR35	Snap Ring, H-35	4	
15	RR32	Snap Ring, H-32	2	
16	RR28	Snap Ring, H-28	1	
17	ER12	Snap Ring, E-12	3	
18	SR12	Stop Ring, S-12	1	
51	HBS0635H	HBS, M6x35 (H)	1	
52	HSS0615	HSS, M6x15	1	
53	HSS0610	HSS, M6x10	2	
54	HSS0506	HSS, M5x6	1	
55	HN06	HN, M6	1	

3-2

ACCUMULATOR BOX GROUP

T6-3-20001

T6-3-20002



3-2**ACCUMULATOR BOX GROUP****T6-3-20001****T6-3-20002**

REF. NO.	PART NO.	DESCRIPTION	Q'TY	REMARKS
1	T6-3-20001	Accumulator Box Group (For 12mm)	1	
	T6-3-20002	Accumulator Box Group (For 9mm)	1	
	T6-3-20130	Accumulator Box Front, LH	1	
	T6-3-20130S	Accumulator Box Front, LH (Stainless Steel Model)	1	
2	T6-3-20150	Spacer 9 mm	2	
3	T6-3-20160	Spacer 12 mm	2	
8	HBS0508	HBS, M5x8	2	
	HBS0508S	HBS, M5x8 (Stainless Steel Model)	2	
9	SW04	SW, M4	2	
	SW04S	SW, M4 (Stainless Steel Model)	2	
10	PW04	PW, M4	2	
	PW04S	PW, M4 (Stainless Steel Model)	2	
11	SW05	SW, M5	2	
	SW05S	SW, M5 (Stainless Steel Model)	2	
12	PW05	PW, M5	2	
	PW05S	PW, M5 (Stainless Steel Model)	2	
13	HBS0430H	HBS, M4x30 (H)	2	
	HBS0430HS	HBS, M4x30 (H) (Stainless Steel Model)	2	