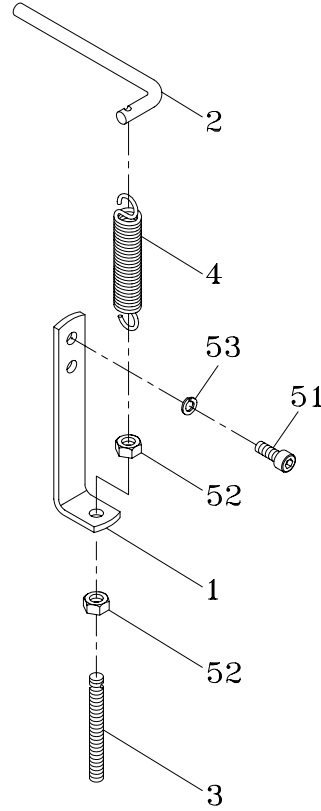


1-7-1**FEED ASS'Y****T6-1-71002****T6-1-71003**

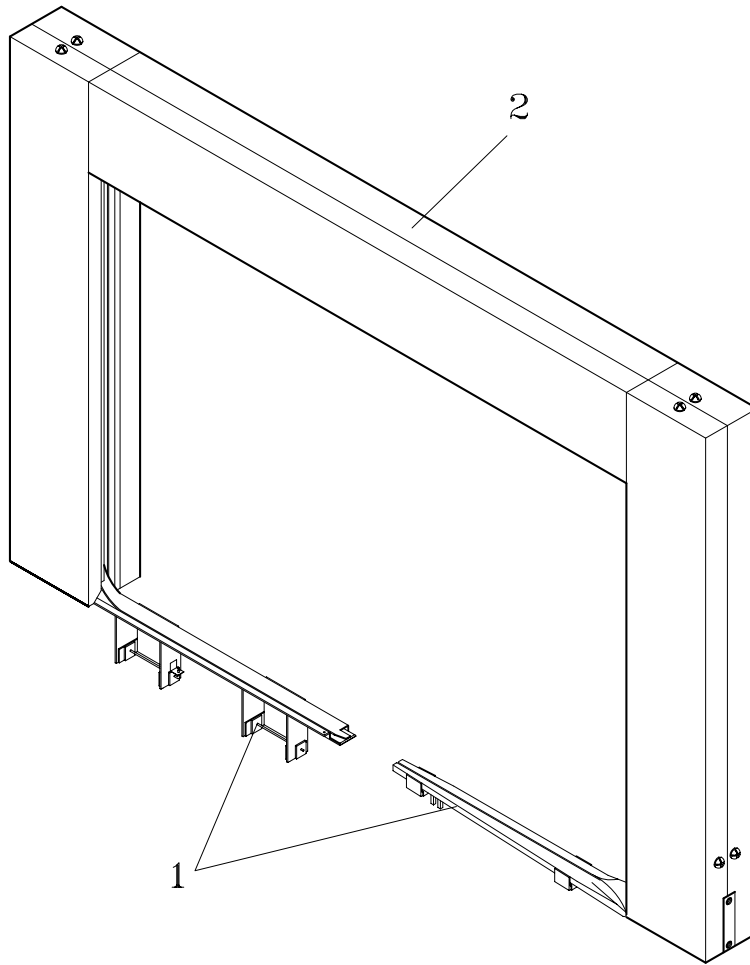
REF. NO.	PART NO.	DESCRIPTION	Q'TY	REMARKS
	T6-1-71002	Feed Ass'y (For 12mm)	1	
	T6-1-71003	Feed Ass'y (For 9mm)	1	
1	T6-1-71123	Upper Feed Roller (For 12mm)	1	
	T6-1-71124	Upper Feed Roller (For 9mm)	1	
2	T6-1-71130	Upper Feed Roller Shaft	1	
3	T6-1-71140	Feed Roller	1	
	T6-1-71140S	Feed Roller (Stainless Steel Model)	1	
4	T6-1-71150	Lever Holder	1	
5	T6-1-71160	Feed Roller Pulley	1	
6	T6-1-71170	Feed Shooter (For 12mm)	1	
	T6-1-71170S	Feed Shooter (For 12mm) (Stainless Steel Model)	1	
	T6-1-71171	Feed Shooter (For 9mm)	1	
	T6-1-71171S	Feed Shooter (For 9mm) (Stainless Steel Model)	1	
7	T6-1-71180	Feed Shooter Cover	1	
	T6-1-71180S	Feed Shooter Cover (Stainless Steel Model)	1	
8	T6-1-71193	Upper Feed Roller Ass'y (For 12mm)	1	
	T6-1-71194	Upper Feed Roller Ass'y (For 9mm)	1	
13	BR628ZZ	Bearing, 628ZZ	1	
14	BR6202ZZ	Bearing, 6202ZZ	4	
15	RR24	Snap Ring, H-24	2	
16	RR35	Snap Ring, H-35	4	
17	ER12	Snap Ring, E-12	1	
18	HBS0645H	HBS, M6x45 (H)	2	
	HBS0645HS	HBS, M6x45 (H)(Stainless Steel Model)	2	
19	HBS0615	HBS, M6x15	1	
20	HSS0615	HSS, M6x15	1	
21	HSS0610	HSS, M6x10	2	
22	PMS0610	PMS, M6x10	2	
	PMS0610S	PMS, M6x10 (Stainless Steel Model)	2	
23	HN06	HN, M6	2	

1-7-2 UPPER ADJUSTING WEIGHT SET T6-1-72000



REF. NO.	PART NO.	DESCRIPTION	Q'TY	REMARKS
1	T6-1-72110	Upper Adjusting Base	1	
2	T6-1-72120	Upper Adjusting Spring Hook	1	
3	T6-1-72130	Upper Adjusting Spring Rod	1	
4	T6-1-72140	Spring	1	
51	HBS0512	HBS, M5x12	2	
52	HN06	HN, M6	2	
53	SW05	SW, M5	2	

2

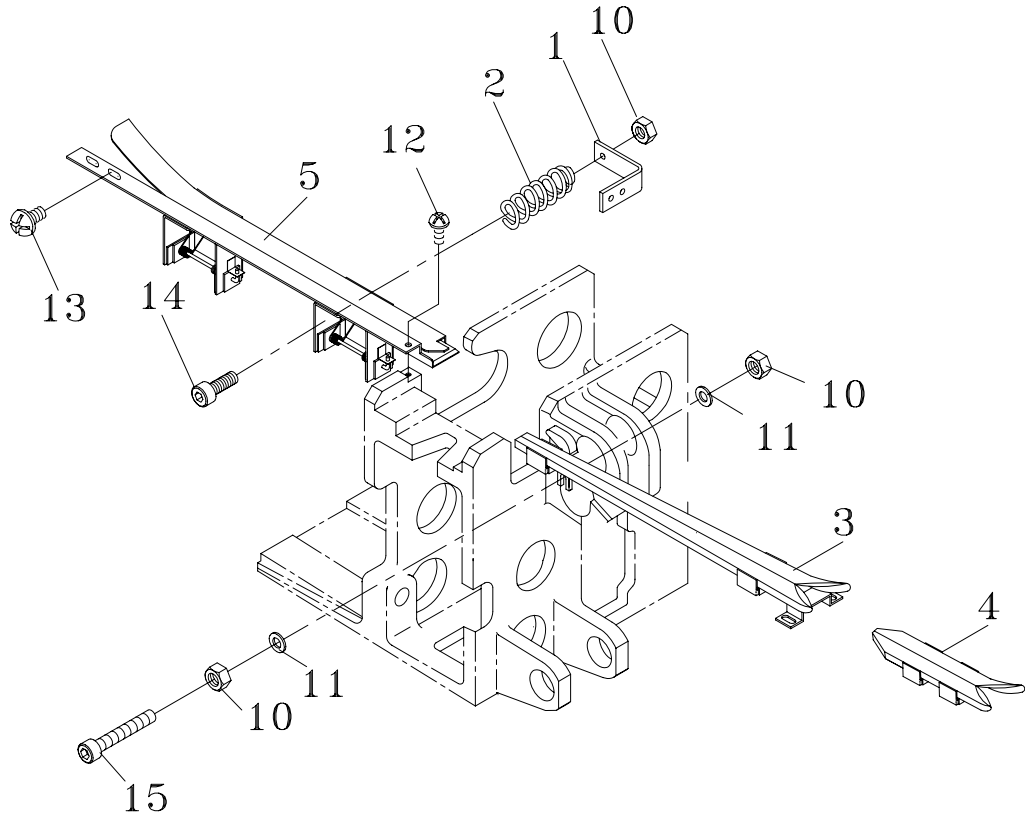
BANDWAY UNIT**T6-2-90002****T6-2-90004****T6-2-90005**

REF. NO.	PART NO.	DESCRIPTION	Q'TY	REMARKS
1	T6-2-90002	Bandway Unit (For TP-601B)	1	
	T6-2-90004	Bandway Unit (For TP-601BP)	1	
	T6-2-90005	Bandway Unit (For TP-601A)	1	
	T6-2-10002	Bandway Group (For TP-601B/TP-601BP) (For 12mm)	1	SEE PAGE 28
	T6-2-10005	Bandway Group (For TP-601B/TP-601BP) (For 9mm)	1	SEE PAGE 28
2	T6-2-10006	Bandway Group (For TP-601A, 12mm)	1	SEE PAGE 28
	T6-2-10007	Bandway Group (For TP-601A, 9mm)	1	SEE PAGE 28
	T6-2-20000	Chute Arch Group (For TP-601A/B)	1	SEE PAGE 33
	T6-2-20001	Chute Arch Group (For TP-601BP)	1	SEE PAGE 33

2-1

BANDWAY GROUP

T6-2-10002
T6-2-10005



REF. NO.	PART NO.	DESCRIPTION	QTY	REMARKS
1	T6-2-10002	Bandway Group (For TP-601B/BP) (For 12mm)	1	
	T6-2-10005	Bandway Group (For TP-601B/BP, 9mm)	1	
	T6-2-10006	Bandway Group (For TP-601A, 12mm)	1	
	T6-2-10007	Bandway Group (For TP-601A, 9mm)	1	
	T6-1-20180	Flap Connecting Spring Bracket (For TP-601B/BP)	1	
	T6-1-20182	Flap Connecting Spring Bracket (For TP-601A)	1	
2	T6-2-10130	LH Bandway Stop Spring	1	SEE PAGE 30
3	T6-2-11000	RH Bandway Ass'y (For 12mm)	1	
	T6-2-11001	RH Bandway Ass'y (For 9mm)	1	

2-1**BANDWAY GROUP****T6-2-10002****T6-2-10005**

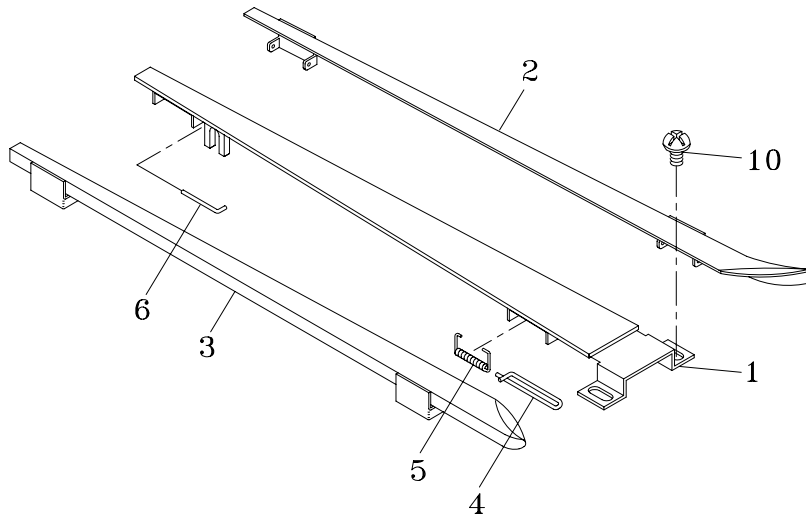
REF. NO.	PART NO.	DESCRIPTION	Q'TY	REMARKS
4	T6-2-11020	RH Bandway Ass'y (For TP-601B/BP, 1250W)	1	
5	T6-2-12000	LH Bandway Ass'y (For 850W, 12mm) (For TP-601A)	1	SEE PAGE 32
	T6-2-12001	LH Bandway Ass'y (For 850W, 9mm) (For TP-601A)	1	SEE PAGE 32
	T6-2-12020	LH Bandway Ass'y (For 1050W, 12mm) (For TP-601A)	1	
	T6-2-12021	LH Bandway Ass'y (For 1050W, 9mm) (For TP-601A)	1	
	T6-2-12030	LH Bandway Ass'y (For 1250W, 12mm) (For TP-601A)	1	
	T6-2-12031	LH Bandway Ass'y (For 1250W, 9mm) (For TP-601A)	1	
	T6-2-13000	LH Bandway Ass'y (For 850W, 12mm) (For TP-601B/601BP)	1	SEE PAGE 32
	T6-2-13001	LH Bandway Ass'y (For 850W, 9mm) (For TP-601B/601BP)	1	SEE PAGE 32
	T6-2-13010	LH Bandway Ass'y (For 1050W, 1250W, 12mm) (For TP-601B/601BP)	1	
	T6-2-13011	LH Bandway Ass'y (For 1050W, 1250W, 9mm) (For TP-601B/601BP)	1	
10	HN06	HN, M6	3	
11	PW06A	PW, M6 (A)	2	
12	TMS0508	TMS, M5x8	1	
13	TMS0608	TMS, M6x8	2	
14	HBS0615	HBS, M6x15	1	
15	HBS0650	HBS, M6x50 (For TP-601B/BP)	1	
	HBS0640	HBS, M6x40 (For TP-601A)	1	

2-1-1

RH BANDWAY ASS'Y

T6-2-11000

T6-2-11001



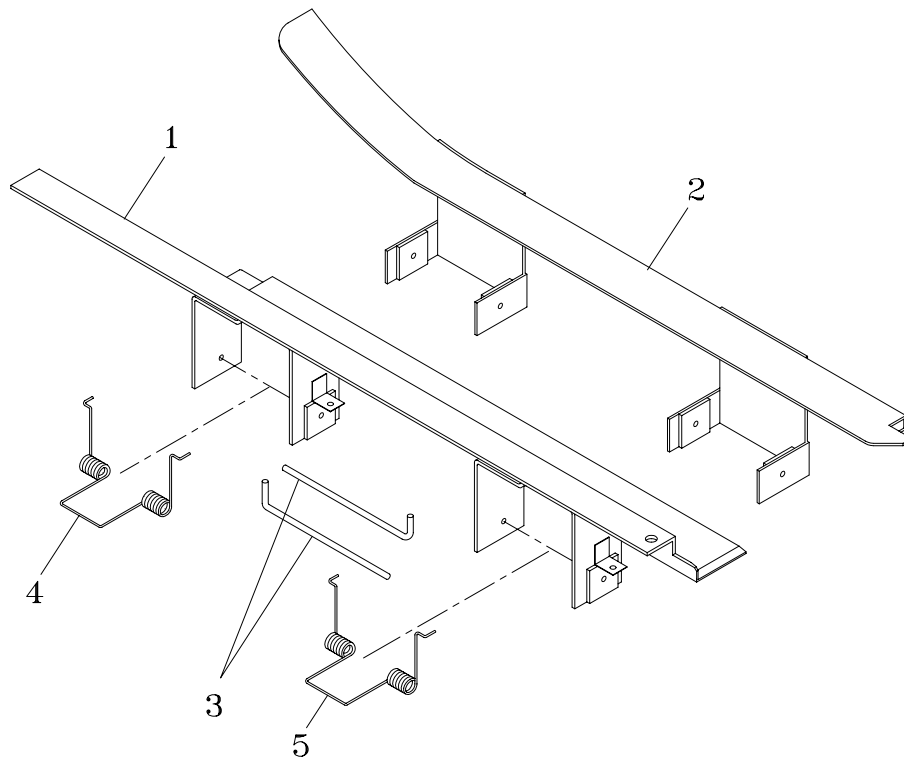
REF. NO.	PART NO.	DESCRIPTION	Q'TY	REMARKS	
1	T6-2-11000	RH Bandway Ass'y (For 12mm)	1		
	T6-2-11001	RH Bandway Ass'y (For 9mm)	1		
	T6-2-11110	RH Bandway (For 12mm)	1		
	T6-2-11111	RH Bandway (For 9mm)	1		
	2	T6-2-11120	RH Bandway Rear Flap (For 12mm)	1	
		T6-2-11121	RH Bandway Rear Flap (For 9mm)	1	
3	T6-2-11130	RH Bandway Front Flap (For 12mm)	1		
	T6-2-11131	RH Bandway Front Flap (For 9mm)	1		
4	T6-2-11140	RH Bandway Flap Pin (Rear)	2		
5	T6-2-11150	RH Bandway Flap Spring	2		
6	T6-2-11160	RH Bandway Flap Pin (Front)	2		
10	TMS0608	TMS, M6x8	2		

2-1-2

LH BANDWAY ASS'Y

T6-2-12000

T6-2-13000



REF. NO.	PART NO.	DESCRIPTION	Q'TY	REMARKS
1	T6-2-12000	LH Bandway Ass'y (For TP-601A, 12mm)	1	
	T6-2-12001	LH Bandway Ass'y (For TP-601A, 9mm)	1	
	T6-2-13000	LH Bandway Ass'y (For TP-601B/ TP-601BP, 12mm)	1	
	T6-2-13001	LH Bandway Ass'y (For TP-601B/ TP-601BP, 9mm)	1	
	T6-2-12110	LH Bandway (For 850W, 12mm) (For TP-601A)	1	
	T6-2-12200	LH Bandway (For 850W, 9mm) (For TP-601A)	1	
	T6-2-12112	LH Bandway (For 1050W, 12mm) (For TP-601A)	1	
	T6-2-12202	LH Bandway (For 1050W, 9mm) (For TP-601A)	1	
	T6-2-12113	LH Bandway (For 1250W, 12mm) (For TP-601A)	1	
T6-2-12203	LH Bandway (For 1250W, 9mm) (For TP-601A)	1		

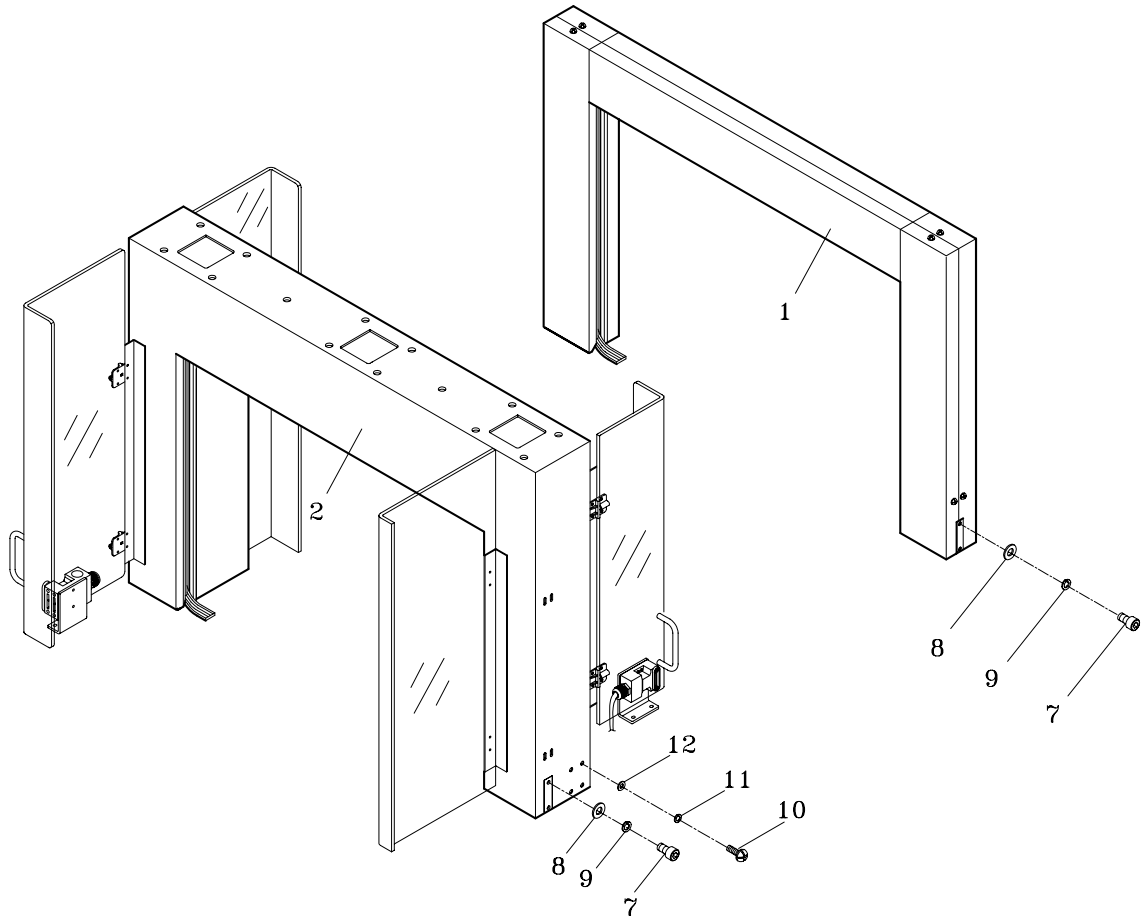
2-1-2**LH BANDWAY ASS'Y****T6-2-12000****T6-2-13000**

REF. NO.	PART NO.	DESCRIPTION	Q'TY	REMARKS
	T6-2-13110	LH Bandway (For 850W, 12mm) (For TP-601B/TP-601BP)	1	
	T6-2-13200	LH Bandway (For 850W, 9mm) (For TP-601B/TP-601BP)	1	
	T6-2-13111	LH Bandway (For 1050, 1250W, 12mm) (TP-601B/TP-601BP)	1	
	T6-2-13201	LH Bandway (For 1050, 1250W, 9mm) (For TP-601B/TP-601BP)	1	
2	T6-2-12120	LH Bandway Flap (For 850W, 12mm)	1	
	T6-2-12210	LH Bandway Flap (For 850W, 9mm)	1	
	T6-2-12122	LH Bandway Flap (For 1050W, 12mm)	1	
	T6-2-12212	LH Bandway Flap (For 1050W, 9mm)	1	
	T6-2-12123	LH Bandway Flap (For 1250W, 12mm)	1	
	T6-2-12213	LH Bandway Flap (For 1250W, 9mm)	1	
3	T6-2-12130	LH Bandway Flap Pin (For 850W~1050W)	2	
		LH Bandway Flap Pin (For 1250W)	3	
4	T6-2-12140	LH Bandway Flap Spring (For 850W~1050W)	1	
		LH Bandway Flap Spring (For 1250W)	2	
5	T6-2-12150	LH Bandway Flap Spring	1	

2-2

CHUTE ARCH GROUP

T6-2-20000

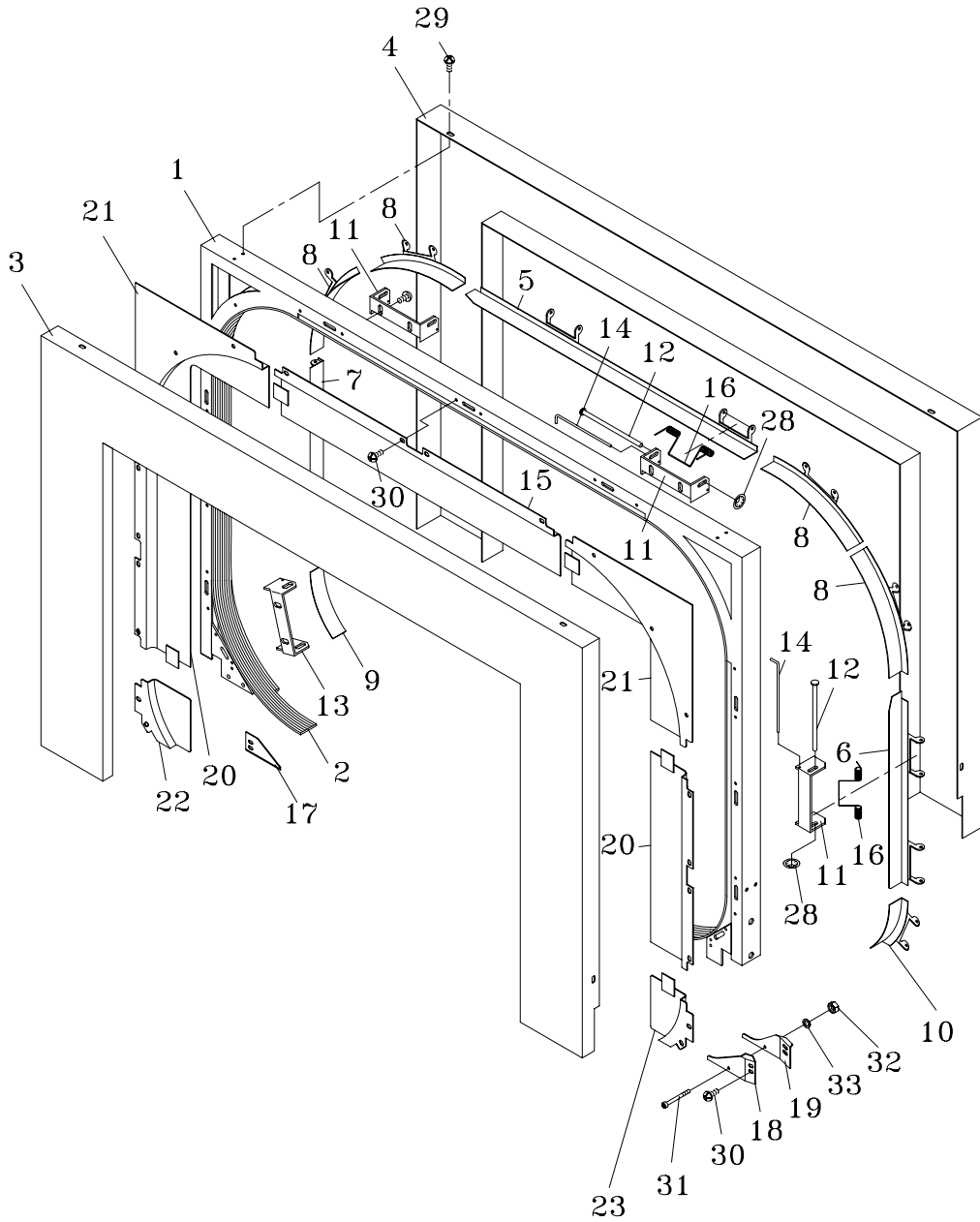


REF. NO.	PART NO.	DESCRIPTION	Q'TY	REMARKS
	T6-2-20000	Chute Arch Group (For TP-601A/B)	1	
	T6-2-20001	Chute Arch Group (For TP-601BP)	1	
1	T6-2-21000	Arch Ass'y (For TP-601A/B)	1	SEE PAGE 34
2	T6-2-22000	Arch Ass'y (For TP-601BP)	1	SEE PAGE 38
7	HBS0816	HBS, M8 x16	4	
	HBS0816S	HBS, M8 x16 (Stainless Steel Model)	4	
8	PW08A	PW, M8 (A)	4	
	PW08AS	PW, M8 (A) (Stainless Steel Model)	4	
9	SW08	SW, M8	4	
	SW08S	SW, M8 (Stainless Steel Model)	4	
10	TMS0612	TMS, M6x12	8	
11	TMS0612S	TMS, M6x12 (Stainless Steel Model)	8	
	SW06	SW, M6	8	
	SW06S	SW, M6 (Stainless Steel Model)	8	
12	PW06A	PW, M6 (A)	8	
	PW06AS	PW, M6 (A) (Stainless Steel Model)	8	

2-2-1

ARCH ASS'Y

T6-2-21000



2-2-1**ARCH ASS'Y****T6-2-21000**

REF. NO.	PART NO.	DESCRIPTION	Q'TY	REMARKS
1	T6-2-20110	Arch Frame (For 850W x 600H)	1	
	T6-2-20110S	Arch Frame (For 850W x 600H) (Stainless Steel Model)	1	
2	T6-2-20120	Arch Bandway (For 850W x 600H)	1	
3	T6-2-20130	Arch Cover, Front (For 850W x 600H)	1	
	T6-2-20130S	Arch Cover, Front (For 850W x 600H) (Stainless Steel Model)	1	
4	T6-2-20140	Arch Cover, Rear (For 850W x 600H)	1	
	T6-2-20140S	Arch Cover, Rear (For 850W x 600H) (Stainless Steel Model)	1	
5	T6-2-20150	Upper Guide Rail (For 850W)	1	
	T6-2-20150S	Upper Guide Rail (For 850W) (Stainless Steel Model)	1	
	T6-2-20151	Upper Guide Rail (For 1050W)	1	
	T6-2-20151S	Upper Guide Rail (For 1050W) (Stainless Steel Model)	1	
	T6-2-20152	Upper Guide Rail (For 1250W)	1	
	T6-2-20152S	Upper Guide Rail (For 1250W) (Stainless Steel Model)	1	
6	T6-2-20160	RH Side Guide Rail (For 600H)	1	
	T6-2-20160S	RH Side Guide Rail (For 600H) (Stainless Steel Model)	1	
	T6-2-20161	RH Side Guide Rail (For 800H)	1	
	T6-2-20161S	RH Side Guide Rail (For 800H) (Stainless Steel Model)	1	
	T6-2-20162	RH Side Guide Rail (For 1000H)	1	
	T6-2-20162S	RH Side Guide Rail (For 1000H) (Stainless Steel Model)	1	
	T6-2-20169	RH Side Guide Rail (For 400H)	1	
T6-2-20169S	RH Side Guide Rail (For 400H) (Stainless Steel Model)	1		
7	T6-2-20170	LH Side Guide Rail (For 600H)	1	
	T6-2-20170S	LH Side Guide Rail (For 600H) (Stainless Steel Model)	1	
	T6-2-20171	LH Side Guide Rail (For 800H)	1	
	T6-2-20171S	LH Side Guide Rail (For 800H) (Stainless Steel Model)	1	
	T6-2-20172	LH Side Guide Rail (For 1000H)	1	
	T6-2-20172S	LH Side Guide Rail (For 1000H)	1	

2-2-1**ARCH ASS'Y****T6-2-21000**

REF. NO.	PART NO.	DESCRIPTION	Q'TY	REMARKS
		(Stainless Steel Model)		
	T6-2-20179	LH Side Guide Rail (For 400H)	1	
	T6-2-20179S	LH Side Guide Rail (For 400H)	1	
		(Stainless Steel Model)		
8	T6-2-20180	Corner Guide Rail, Upper	4	
	T6-2-20180S	Corner Guide Rail, Upper (Stainless Steel Model)	4	
9	T6-2-20190	Corner Guide Rail, Lower (LH)	1	
	T6-2-20190S	Corner Guide Rail, Lower (LH)	1	
		(Stainless Steel Model)		
10	T6-2-20200	Corner Guide Rail, Lower (RH)	1	
	T6-2-20200S	Corner Guide Rail, Lower (RH)	1	
		(Stainless Steel Model)		
11	T6-2-20210	Guide Rail Hinge (1)	11	
12	T6-2-20220	K-Type Guide Rail Hinge Shaft	12	
13	T6-2-20230	Guide Rail Hinge (2)	1	
14	T6-2-20240	Guide Rail Hinge Shaft	11	
15	T6-2-20340	Back Guide Plate, Upper (For 850W)	1	
	T6-2-20340S	Back Guide Plate, Upper (For 850W)	1	
		(Stainless Steel Model)		
	T6-2-20341	Back Guide Plate, Upper (For 1050W)	1	
	T6-2-20341S	Back Guide Plate, Upper (For 1050W)	1	
		(Stainless Steel Model)		
	T6-2-20342	Back Guide Plate, Upper (For 1250W)	1	
	T6-2-20342S	Back Guide Plate, Upper (For 1250W)	1	
		(Stainless Steel Model)		
16	T6-2-21250	Arch Guide Rail Spring	11	
17	T6-2-21260	Guiding Angle, LH Front	1	
	T6-2-21260S	Guiding Angle, LH Front (Stainless Steel Model)	13	
18	T6-2-21280	Guiding Angle, RH Front	1	
	T6-2-21280S	Guiding Angle, RH Front	1	
		(Stainless Steel Model)		
19	T6-2-21290	Guiding Angle, RH Rear	1	
	T6-2-21290S	Guiding Angle, RH Rear	1	
		(Stainless Steel Model)		
20	T6-2-21350	Back Guide Plate, Side (For 600H)	2	
	T6-2-21350S	Back Guide Plate, Side (For 600H)	2	
		(Stainless Steel Model)		
	T6-2-21351	Back Guide Plate, Side (For 800H)	2	

2-2-1

ARCH ASS'Y

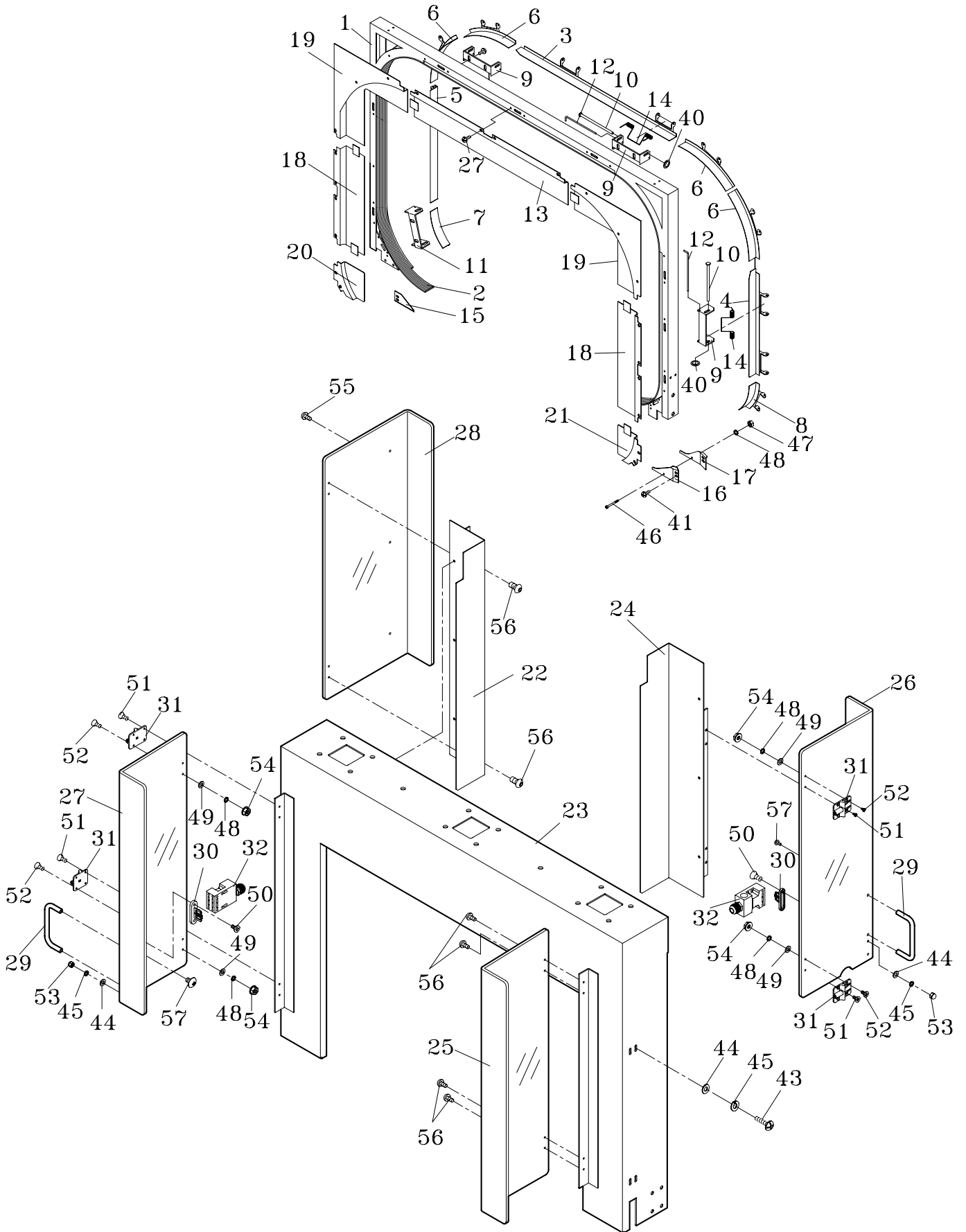
T6-2-21000

REF. NO.	PART NO.	DESCRIPTION	Q'TY	REMARKS
	T6-2-21351S	Back Guide Plate, Side (For 800H) (Stainless Steel Model)	2	
	T6-2-21352	Back Guide Plate, Side (For 1000H)	2	
	T6-2-21352S	Back Guide Plate, Side (For 1000H) (Stainless Steel Model)	2	
	T6-2-21359	Back Guide Plate, Side (For 400H)	2	
	T6-2-21359S	Back Guide Plate, Side (For 400H) (Stainless Steel Model)	2	
	T6-2-21353	Back Guide Plate, Side (For 1200H)	2	
	T6-2-21353S	Back Guide Plate, Side (For 1200H) (Stainless Steel Model)	2	
21	T6-2-21360	Back Guide Plate, Corner Upper	2	
	T6-2-21360S	Back Guide Plate, Corner Upper (Stainless Steel Model)	2	
22	T6-2-21370	Back Guide Plate, LH Lower	1	
	T6-2-21370S	Back Guide Plate, LH Lower (Stainless Steel Model)	1	
23	T6-2-21380	Back Guide Plate, RH Lower	1	
	T6-2-21380S	Back Guide Plate, RH Lower (Stainless Steel Model)	1	
28	PN04	PN, ϕ 4	12	
	PN04S	PN, ϕ 4 (SUS) (OPTION)	12	
29	TMS0508S	TMS, M5x8 (SUS)	8	
30	TMS0408	TMS, M4x8	72	
31	HBS0440H	HBS, M4x40 (H)	1	
32	HN04	HN, M4	1	
33	SW04	SW, M4	1	

2-2-2

ARCH ASS'Y (For TP-601BP)

T6-2-22000



2-2-2

**ARCH ASS'Y
(For TP-601BP)**

T6-2-22000

REF. NO.	PART NO.	DESCRIPTION	Q'TY	REMARKS
1	T6-2-20110	Arch Frame (For 850W x 600H)	1	
2	T6-2-20120	Arch Bandway (For 850W x 600H)	1	
3	T6-2-20150	Upper Guide Rail (For 850W)	1	
	T6-2-20150S	Upper Guide Rail (For 850W) (Stainless Steel Model)	1	
	T6-2-20151	Upper Guide Rail (For 1050W)	1	
	T6-2-20151S	Upper Guide Rail (For 1050W) (Stainless Steel Model)	1	
	T6-2-20152	Upper Guide Rail (For 1250W)	1	
	T6-2-20152S	Upper Guide Rail (For 1250W) (Stainless Steel Model)	1	
4	T6-2-20160	RH Side Guide Rail (For 600H)	1	
	T6-2-20160S	RH Side Guide Rail (For 600H) (Stainless Steel Model)	1	
	T6-2-20161	RH Side Guide Rail (For 800H)	1	
	T6-2-20161S	RH Side Guide Rail (For 800H) (Stainless Steel Model)	1	
	T6-2-20162	RH Side Guide Rail (For 1000H)	1	
	T6-2-20162S	RH Side Guide Rail (For 1000H) (Stainless Steel Model)	1	
	T6-2-20169	RH Side Guide Rail (For 400H)	1	
	T6-2-20169S	RH Side Guide Rail (For 400H) (Stainless Steel Model)	1	
5	T6-2-20170	LH Side Guide Rail (For 600H)	1	
	T6-2-20170S	LH Side Guide Rail (For 600H) (Stainless Steel Model)	1	
	T6-2-20171	LH Side Guide Rail (For 800H)	1	
	T6-2-20171S	LH Side Guide Rail (For 800H) (Stainless Steel Model)	1	
	T6-2-20172	LH Side Guide Rail (For 800H)	1	
	T6-2-20172S	LH Side Guide Rail (For 1000H) (Stainless Steel Model)	1	
	T6-2-20179	LH Side Guide Rail (For 400H)	1	
	T6-2-20179S	LH Side Guide Rail (For 400H) (Stainless Steel Model)	1	
6	T6-2-20180	Corner Guide Rail, Upper	4	
	T6-2-20180S	Corner Guide Rail, Upper (Stainless Steel Model)	4	

2-2-2

ARCH ASS'Y
(For TP-601BP)

T6-2-22000

REF. NO.	PART NO.	DESCRIPTION	Q'TY	REMARKS
7	T6-2-20190	Corner Guide Rail, Lower (LH)	1	
	T6-2-20190S	Corner Guide Rail, Lower (LH) (Stainless Steel Model)	1	
8	T6-2-20200	Corner Guide Rail, Lower (RH)	1	
	T6-2-20200S	Corner Guide Rail, Lower (RH) (Stainless Steel Model)	1	
9	T6-2-20210	Guide Rail Hinge (1)	11	
10	T6-2-20220	K-Type Guide Rail Hinge Shaft	12	
11	T6-2-20230	Guide Rail Hinge (2)	1	
12	T6-2-20240	Guide Rail Hinge Shaft	11	
13	T6-2-20340	Back Guide Plate, Upper (For 850W)	1	
	T6-2-20340S	Back Guide Plate, Upper (For 850W) (Stainless Steel Model)	1	
	T6-2-20341	Back Guide Plate, Upper (For 1050W)	1	
	T6-2-20341S	Back Guide Plate, Upper (For 1050W) (Stainless Steel Model)	1	
	T6-2-20342	Back Guide Plate, Upper (For 1250W)	1	
	T6-2-20342S	Back Guide Plate, Upper (For 1250W) (Stainless Steel Model)	1	
14	T6-2-21250	Arch Guide Rail Spring	11	
15	T6-2-21260	Guiding Angle, LH Front	1	
	T6-2-21260S	Guiding Angle, LH Front (Stainless Steel Model)	1	
16	T6-2-21280	Guiding Angle, RH Front	1	
	T6-2-21280S	Guiding Angle, RH Front (Stainless Steel Model)	1	
17	T6-2-21290	Guiding Angle, RH Rear	1	
	T6-2-21290S	Guiding Angle, RH Rear (Stainless Steel Model)	1	
18	T6-2-21350	Back Guide Plate, Side (For 600H)	2	
	T6-2-21350S	Back Guide Plate, Side (For 600H) (Stainless Steel Model)	2	
	T6-2-21351	Back Guide Plate, Side (For 800H)	2	
	T6-2-21351S	Back Guide Plate, Side (For 800H) (Stainless Steel Model)	2	
	T6-2-21352	Back Guide Plate, Side (For 1000H)	2	
	T6-2-21352S	Back Guide Plate, Side (For 1000H) (Stainless Steel Model)	2	

2-2-2

ARCH ASS'Y
(For TP-601BP)

T6-2-22000

REF. NO.	PART NO.	DESCRIPTION	Q'TY	REMARKS
	T6-2-21359	Back Guide Plate, Side (For 400H)	2	
	T6-2-21359S	Back Guide Plate, Side (For 400H) (Stainless Steel Model)	2	
19	T6-2-21360	Back Guide Plate, Corner Upper	2	
	T6-2-21360S	Back Guide Plate, Corner Upper (Stainless Steel Model)	2	
20	T6-2-21370	Back Guide Plate, LH Lower	1	
	T6-2-21370S	Back Guide Plate, LH Lower (Stainless Steel Model)	1	
21	T6-2-21380	Back Guide Plate, RH Lower	1	
	T6-2-21380S	Back Guide Plate, RH Lower (Stainless Steel Model)	1	
22	T6-2-21689	LH Arch Cover (For 400H)	1	
	T6-2-21680	LH Arch Cover (For 600H)	1	
	T6-2-21681	LH Arch Cover (For 800H)	1	
	T6-2-21682	LH Arch Cover (For 1000H)	1	
23	T6-2-21670	Arch (For 850Wx600H)	1	
24	T6-2-21699	RH Arch Cover (For 400H)	1	
	T6-2-21690	RH Arch Cover (For 600H)	1	
	T6-2-21691	RH Arch Cover (For 800H)	1	
	T6-2-21692	RH Arch Cover (For 1000H)	1	
25	T6-2-22010	Safety Mask, Front Right (For 600~1000H)	1	
	T6-2-22011	Safety Mask, Front Right (For 400H)	1	
26	T6-2-22020	Safety Mask, Rear Right (For 600H~1000H)	1	
	T6-2-22021	Safety Mask, Rear Right (For 400H)	1	
27	T6-2-22030	Safety Mask, Front LH (For 600H~1000H)	1	
	T6-2-22031	Safety Mask, Front LH (For 400H)	1	
28	T6-2-22040	Safety Mask, Rear LH (For 600H~1000H)	1	
	T6-2-22041	Safety Mask, Rear LH (For 400H)	1	
29	T6-5-11150	Table Handle	2	
30	T7-5-10211	Switch Actuator-Adjustable	2	
31	T7-5-41450	Hinges	4	
32	TK-035	Interlock Safety Switch	2	

2-2-2

ARCH ASS'Y
(For TP-601BP)

T6-2-22000

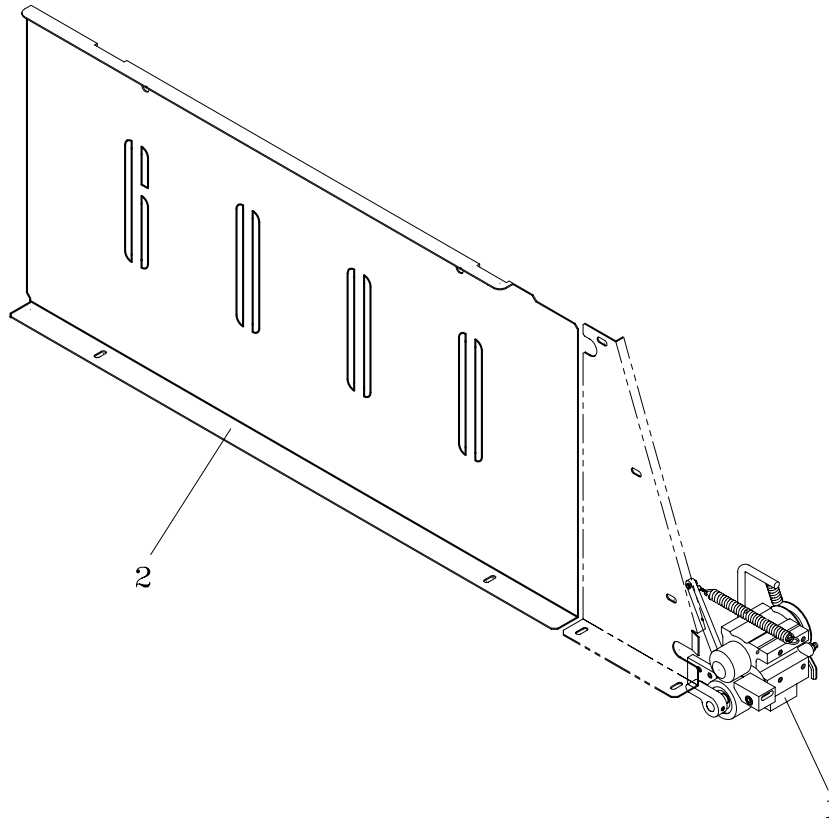
REF. NO.	PART NO.	DESCRIPTION	Q'TY	REMARKS
40	PN04	PN, ϕ 4	12	
	PN04S	PN, ϕ 4 (SUS) (OPTION)	12	
	PN04S	PN, ϕ 4 (Stainless Steel Model)	12	
41	TMS0408	TMS, M4x8	72	
42	TMS0508S	TMS, M5x8 (SUS)	6	
43	TMS0512	TMS, M5x12	8	
44	PW05	PW, M5	12	
45	SW05	SW, M5	12	
46	HBS0440H	HBS, M4x40 (H)	1	
47	HN04	HN, M4	1	
48	SW04	SW, M4	7	
49	PW04	PW, M4	6	
50	FMS0515	FMS, M5x35	4	
51	FMS0410	FMS, M4x10	8	
52	FMS0415	FMS, M4x20	8	
53	CAP05	CAP, M5	4	
54	FLG04	FLG, M4	8	
55	TMS0408	TMS, M4x8	8	
56	THS0416	THS, M4x16	8	
57	TMS0615	TMS, M6x15	4	

3

ACCUMULATOR UNIT

T6-3-90001

T6-3-90003



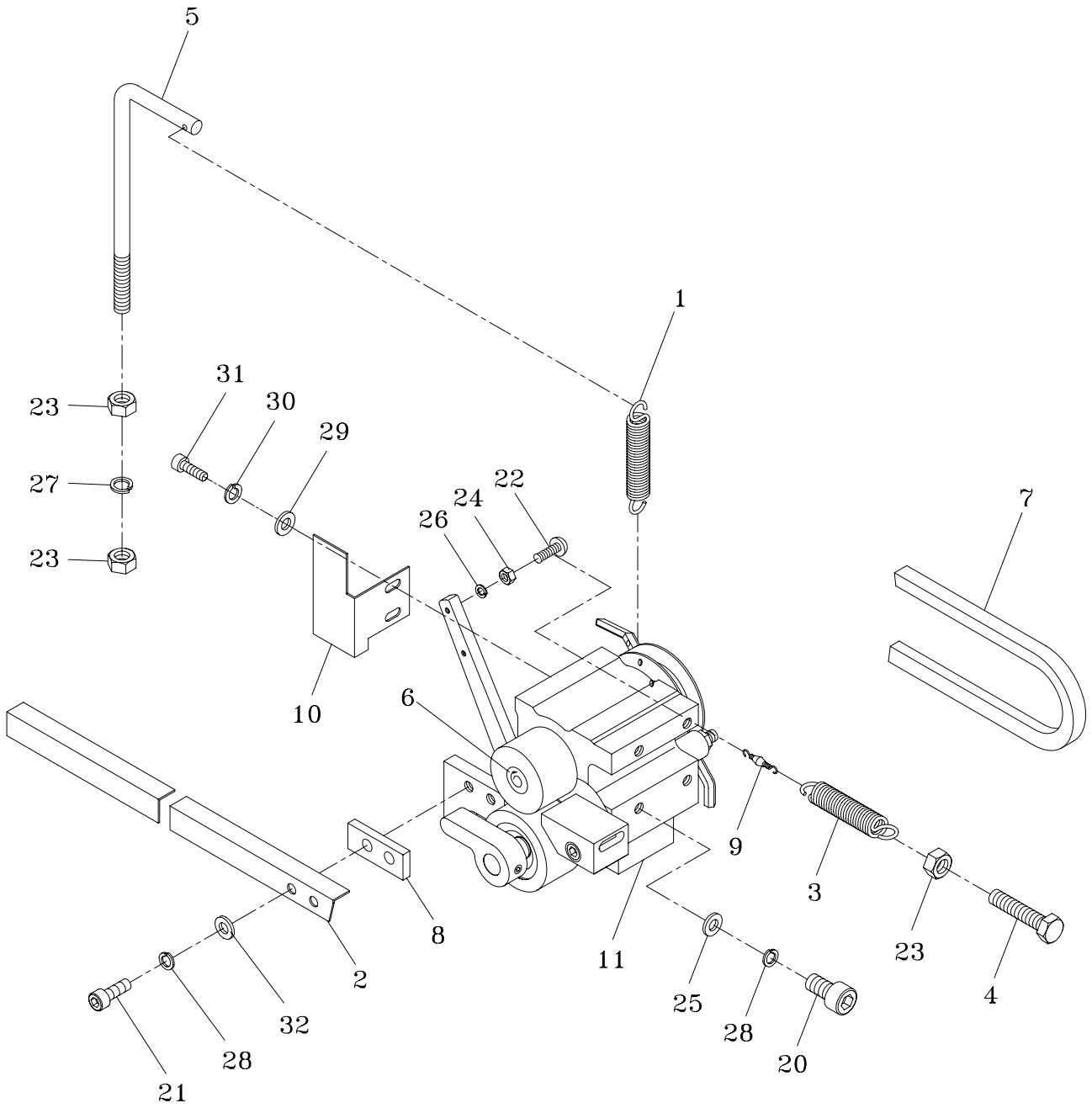
REF. NO.	PART NO.	DESCRIPTION	Q'TY	REMARKS
1	T6-3-90001	Accumulator Unit (For 12mm)	1	
	T6-3-90003	Accumulator Unit (For 9mm)	1	
2	T6-3-10001	Accumulator Group (For 12mm)	1	SEE PAGE 43
	T6-3-10002	Accumulator Group (For 9mm)	1	SEE PAGE 43
2	T6-3-20001	Accumulator Box Group (For 12 mm)	1	SEE PAGE 47
	T6-3-20002	Accumulator Box Group (For 9mm)	1	SEE PAGE 47

3-1

ACCUMULATOR GROUP

T6-3-10001

T6-3-10002



3-1**ACCUMULATOR GROUP****T6-3-10001****T6-3-10002**

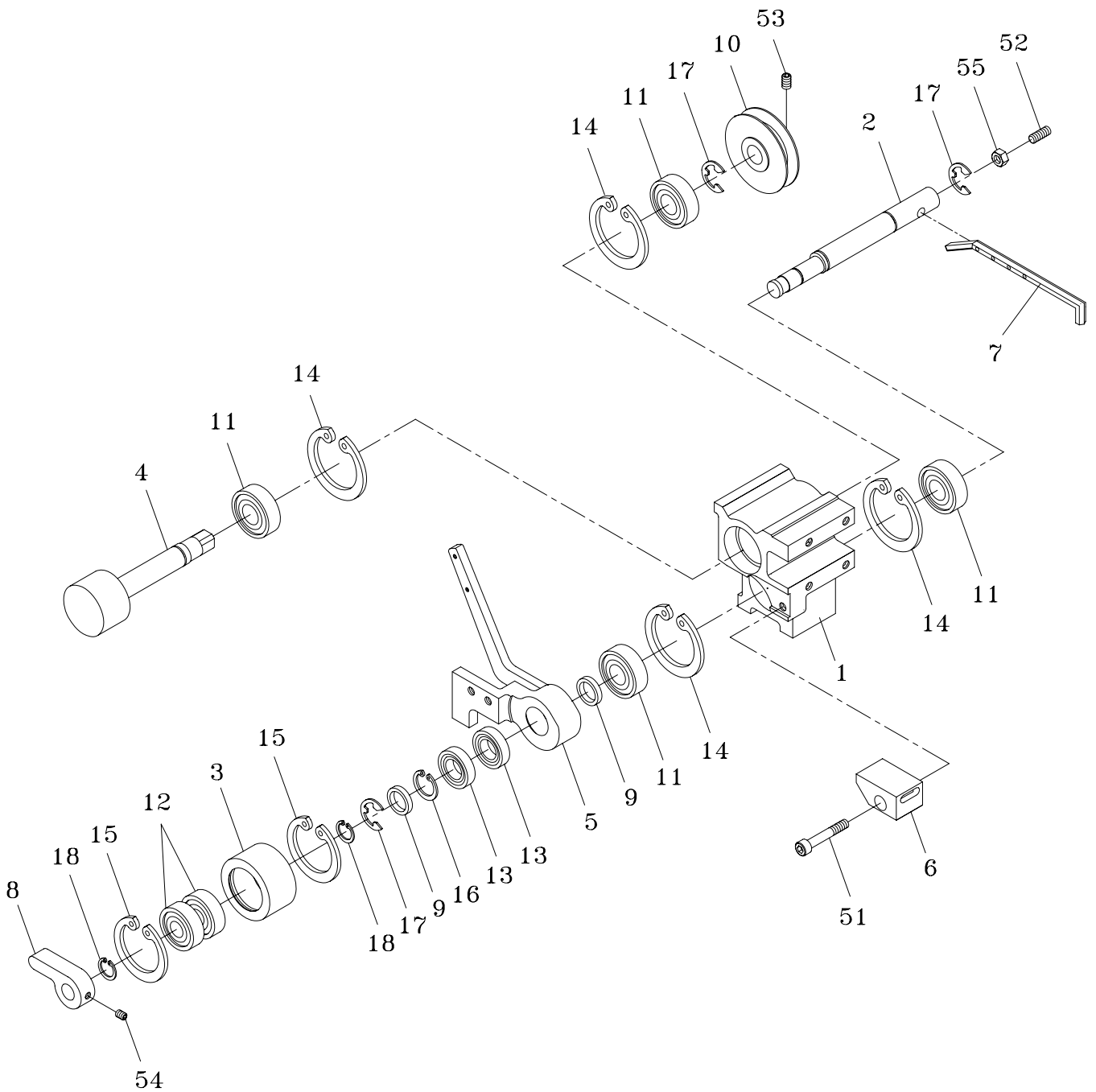
REF. NO.	PART NO.	DESCRIPTION	Q'TY	REMARKS
	T6-3-10001	Accumulator Group (For 12mm)	1	
	T6-3-10002	Accumulator Group (For 9mm)	1	
1	T6-1-72140	Spring	1	
2	T6-3-10110	Balance Bar (For 12mm)	1	
	T6-3-10111	Balance Bar (For 9mm)	1	
3	T6-3-10120	Accumulator Balance Spring	1	
4	T6-3-10130	Accumulator Adjusting Bolt	1	
	T6-3-10130S	Accumulator Adjusting Bolt (Stainless Steel Model)	1	
5	T6-3-10150	Accumulator Spring Adjusting	1	
6	T6-3-10170	Label (Direction)	1	
7	T6-3-10181	V-Belt, M-27	1	
8	T6-3-10190	Balance Bar Spacer (For 12mm)	1	
9	T6-3-10200	Twist Stopper	1	
10	T6-3-10321	Cover	1	
11	T6-3-12000	Accumulator Ass'y (For 12mm)	1	SEE PAGE 45
	T6-3-12001	Accumulator Ass'y (For 9mm)	1	
20	HBS0620	HBS, M6x20	4	
	HBS0620S	HBS, M6x20 (Stainless Steel Model)	4	
21	HBS0616	HBS, M6x16 (For 12mm)	2	
	HBS0612	HBS, M6x12 (For 9mm)	2	
22	PMS0315	PMS, M3x15	1	
23	HN08	HN, M8	3	
	HN08S	HN, M8 (Stainless Steel Model)	3	
24	HN03	HN, M3	1	
25	PW06C	PW, M6 (C)	4	
	PW06CS	PW, M6 (C)(Stainless Steel Model)	4	
26	PW03	PW, M3	1	
27	SW08	SW, M8	1	
28	SW06	SW, M6	6	
	SW06S	SW, M6 (Stainless Steel Model)	6	
29	PW05	PW, M5	2	
30	SW05	SW, M5	2	
31	HBS0510	HBS, M5x10	2	
32	PW06A	PW, M6 (A)	2	

3-1-1

ACCUMULATOR ASS'Y

T6-3-12000

T6-3-12001



3-1-1**ACCUMULATOR ASS'Y****T6-3-12000****T6-3-12001**

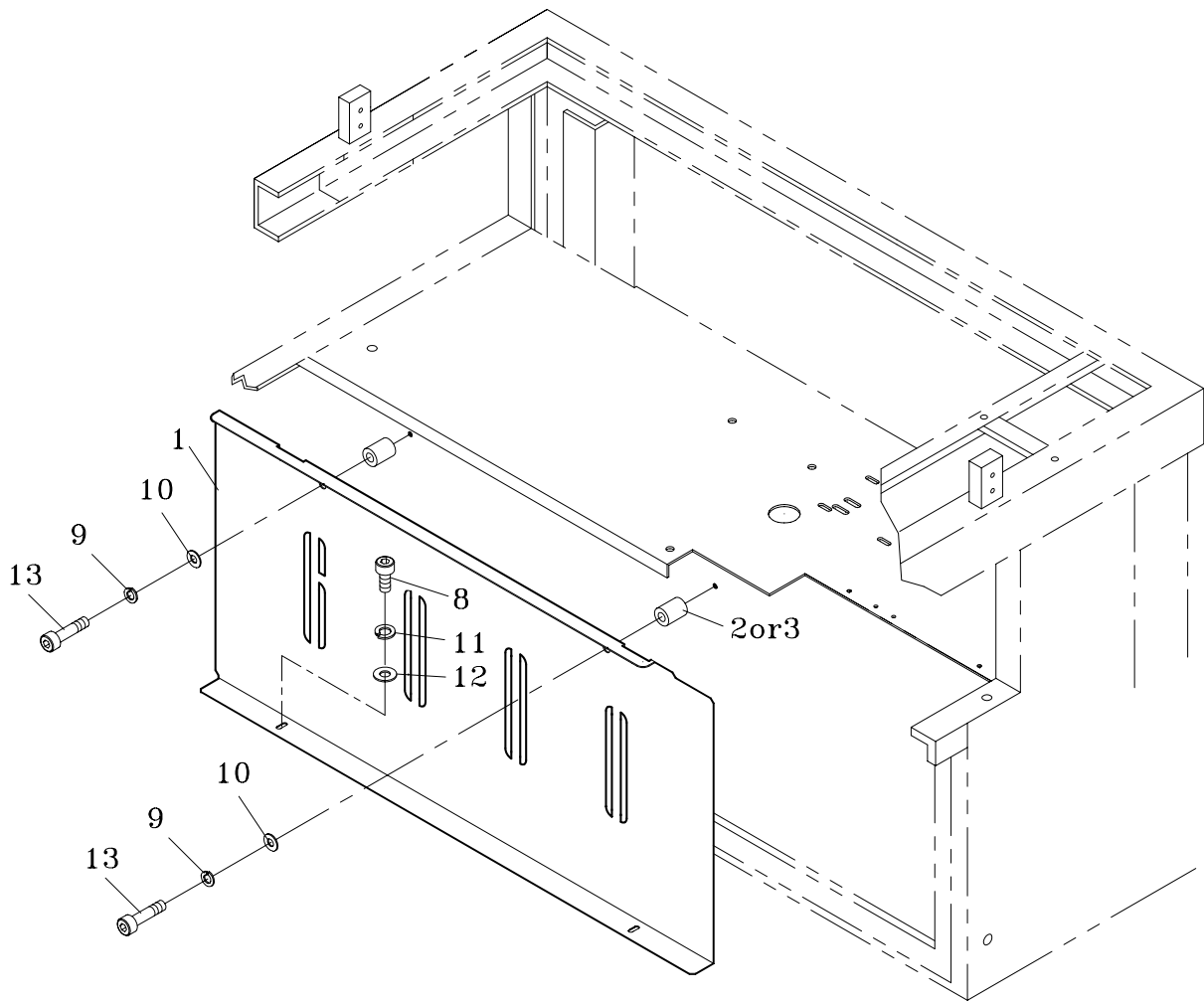
REF. NO.	PART NO.	DESCRIPTION	Q'TY	REMARKS
	T6-3-12000	Accumulator Ass'y (For 12mm)	1	
	T6-3-12001	Accumulator Ass'y (For 9mm)	1	
1	T6-3-11110	Accumulator Bearing Case	1	
2	T6-3-11120	Accumulator Lower Shaft	1	
3	T6-3-11130	Accumulator Lower Roller	1	
4	T6-3-11140	Accumulator Main Roller & Shaft	1	
5	T6-3-11150	Accumulator Balance Bar Holder	1	
6	T6-3-11160	Accumulator Feed Shooter (For 12mm)	1	
	T6-3-11161	Accumulator Feed Shooter (For 9mm)	1	
7	T6-3-12170	Accumulator Lower Shaft Spring Hook	1	
8	T6-3-11180	Knob	1	
9	T6-3-11190	Bearing Collar	2	
10	T6-1-71160	Feed Roller Pulley	1	
11	BR6202ZZ	Bearing, 6202ZZ	4	
12	BR6201ZZ	Bearing, 6201ZZ	2	
13	BR6902ZZ	Bearing, 6902ZZ	2	
14	RR35	Snap Ring, H-35	4	
15	RR32	Snap Ring, H-32	2	
16	RR28	Snap Ring, H-28	1	
17	ER12	Snap Ring, E-12	3	
18	SR12	Stop Ring, S-12	1	
51	HBS0635H	HBS, M6x35 (H)	1	
52	HSS0615	HSS, M6x15	1	
53	HSS0610	HSS, M6x10	2	
54	HSS0506	HSS, M5x6	1	
55	HN06	HN, M6	1	

3-2

ACCUMULATOR BOX GROUP

T6-3-20001

T6-3-20002



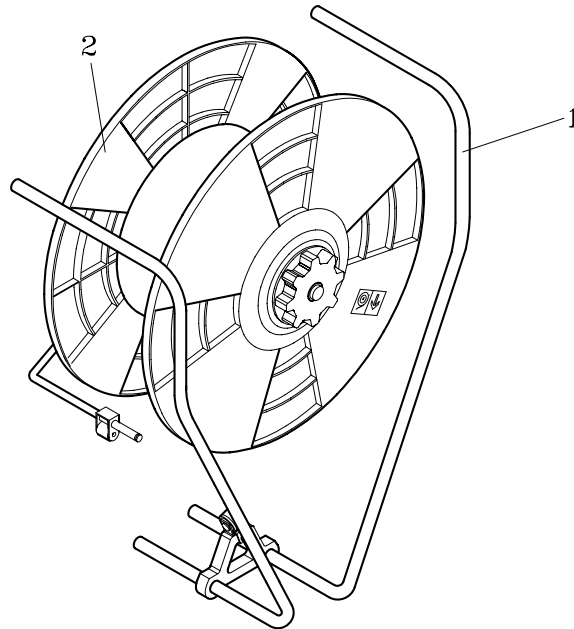
3-2**ACCUMULATOR BOX GROUP****T6-3-20001****T6-3-20002**

REF. NO.	PART NO.	DESCRIPTION	Q'TY	REMARKS
1	T6-3-20001	Accumulator Box Group (For 12mm)	1	
	T6-3-20002	Accumulator Box Group (For 9mm)	1	
	T6-3-20130	Accumulator Box Front, LH	1	
	T6-3-20130S	Accumulator Box Front, LH (Stainless Steel Model)	1	
2	T6-3-20150	Spacer 9 mm	2	
3	T6-3-20160	Spacer 12 mm	2	
8	HBS0508	HBS, M5x8	2	
	HBS0508S	HBS, M5x8 (Stainless Steel Model)	2	
9	SW04	SW, M4	2	
	SW04S	SW, M4 (Stainless Steel Model)	2	
10	PW04	PW, M4	2	
	PW04S	PW, M4 (Stainless Steel Model)	2	
11	SW05	SW, M5	2	
	SW05S	SW, M5 (Stainless Steel Model)	2	
12	PW05	PW, M5	2	
	PW05S	PW, M5 (Stainless Steel Model)	2	
13	HBS0430H	HBS, M4x30 (H)	2	
	HBS0430HS	HBS, M4x30 (H) (Stainless Steel Model)	2	

4

REEL UNIT

T6-4-90000

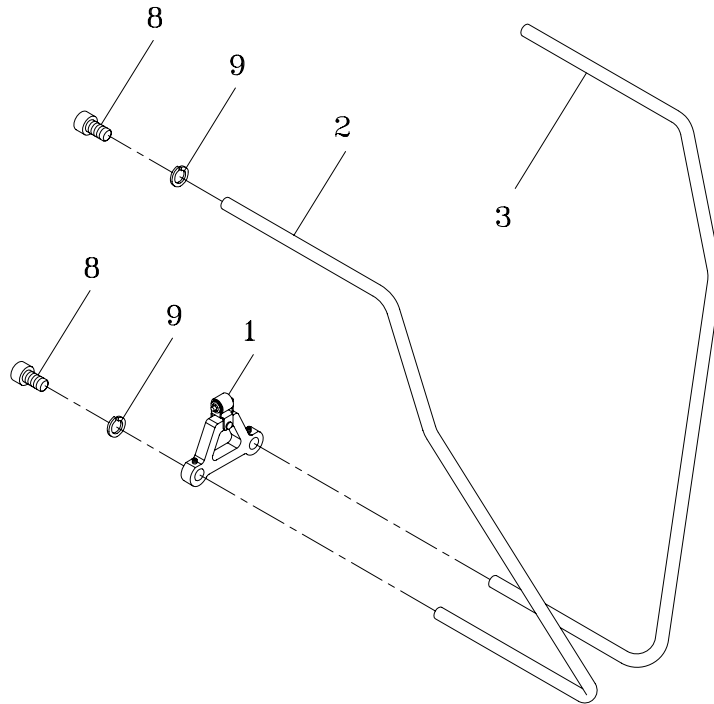


REF. NO.	PART NO.	DESCRIPTION	Q'TY	REMARKS
	T6-4-90000	Reel Unit	1	
1	T6-4-10000	Reel Guard Group	1	SEE PAGE 50
2	T6-4-20000	Reel Control Group	1	SEE PAGE 52

4-1

REEL GUARD GROUP

T6-4-10000

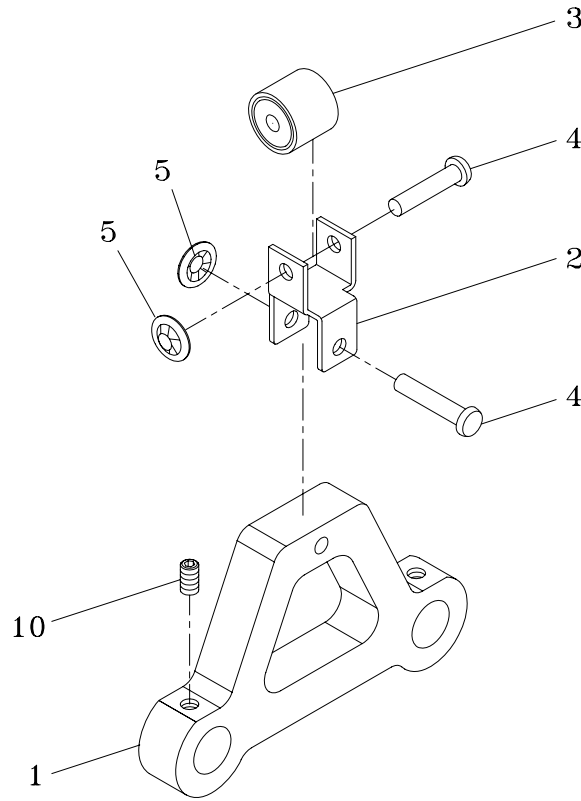


REF. NO.	PART NO.	DESCRIPTION	Q'TY	REMARKS
1	T6-4-11000	Free Angle Bracket Holder Ass'y	1	SEE PAGE 51
2	T6-4-10530	Reel Guard (Front)	1	
	T6-4-10530S	Reel Guard (Front) (Stainless Steel Model)	1	
3	T6-4-10540	Reel Guard (Rear)	1	
	T6-4-10540S	Reel Guard (Rear) (Stainless Steel Model)	1	
8	HBS1020	HBS, M10x20	4	
	HBS1020S	HBS, M10x20 (Stainless Steel Model)	4	
9	SW10	SW, M10	4	
	SW10S	SW, M10 (Stainless Steel Model)	4	

4-1-1

**FREE ANGLE BRACKET
HOLDER ASS'Y**

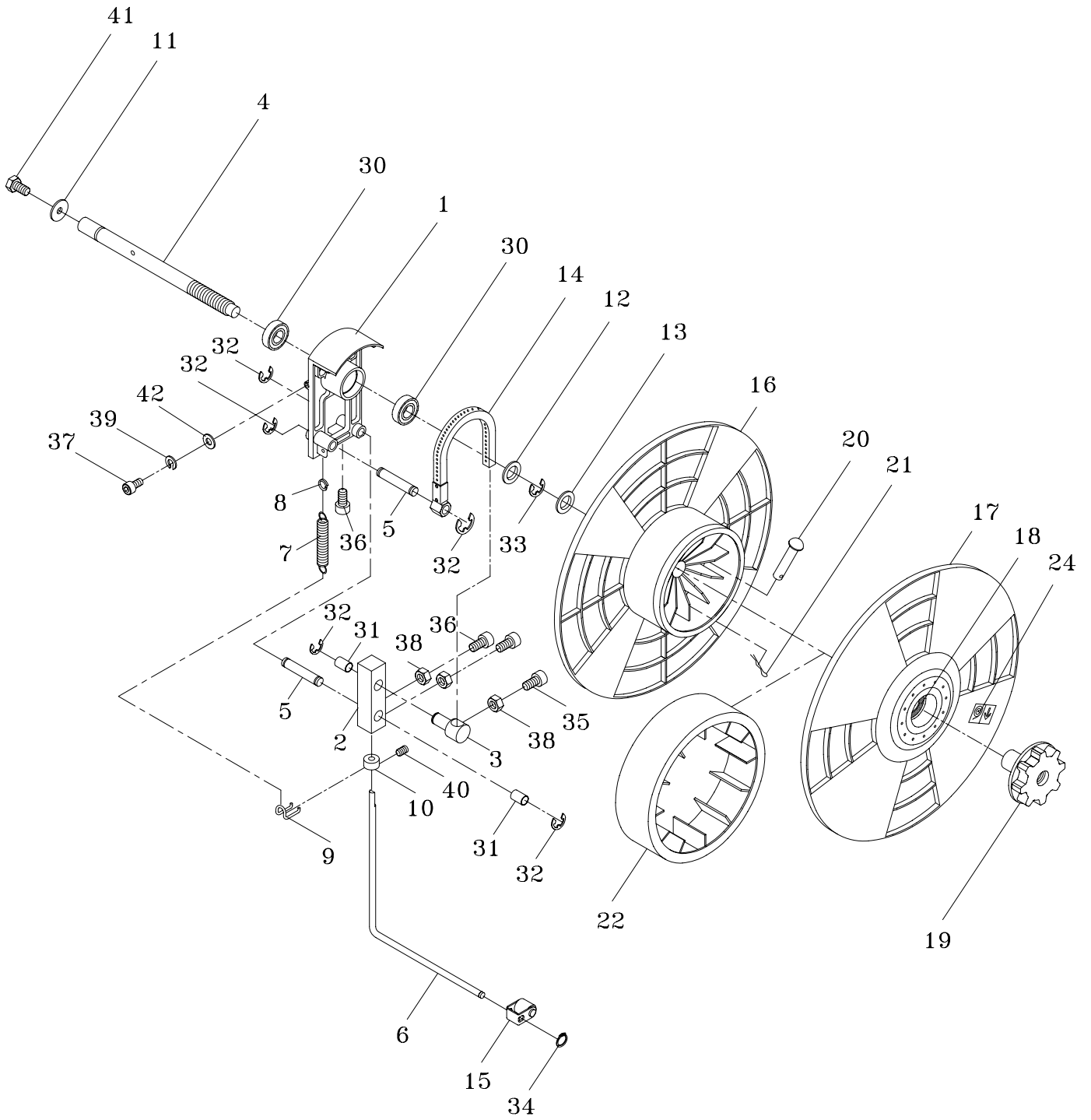
T6-4-11000



REF. NO.	PART NO.	DESCRIPTION	Q'TY	REMARKS
1	T6-4-11110	Free Angle Bracket Holder	1	
2	T6-4-11120	Free Angle Roller Bracket	1	
3	T6-4-11130	Strap Guide Roller	1	
4	T6-4-11140	Rivet, § 6x30	2	
5	PN06	PN, § 6	2	
	PN06S	PN, § 6 (Stainless Steel Model)	2	
10	HSS0610	HSS, M6x10	2	
	HSS0610S	HSS, M6x10 (Stainless Steel Model)	2	

4-2

REEL CONTROL GROUP T6-4-20000



4-2

REEL CONTROL GROUP

T6-4-20000

REF. NO.	PART NO.	DESCRIPTION	Q'TY	REMARKS
1	T6-4-20110	Reel Unit Base	1	
2	T6-4-20130	Brake Tension Holder	1	
3	T6-4-20140	Brake Belt Tightener	1	
	T6-4-20140S	Brake Belt Tightener (Stainless Steel Model)	1	
4	T6-4-20150	Reel Shaft	1	
	T6-4-20150S	Reel Shaft (Stainless Steel Model)	1	
5	T6-4-20160	Holder Shaft	2	
	T6-4-20160S	Holder Shaft (Stainless Steel Model)	2	
6	T6-4-20170	Reel Brake Arm	1	
	T6-4-20170S	Reel Brake Arm (Stainless Steel Model)	1	
7	T6-4-20180	Brake Tension Arm Spring	1	
	T6-4-20180S	Brake Tension Arm Spring (Stainless Steel Model)	1	
8	T6-4-20190	Brake Tension Spring Ring	1	
9	T6-4-20260	Spring Hook	1	
10	T6-4-20270	Set Block	1	
	T6-4-20270S	Set Block (Stainless Steel Model)	1	
11	T6-4-20280	Washer	1	
	T6-4-20280S	Washer (Stainless Steel Model)	1	
12	T6-4-20290	Collar	1	
13	T6-4-20300	Collar	1	
14	T6-4-21000	Brake Belt Ass'y	1	SEE PAGE 55
15	T6-4-22000	Free Slide Roller Set	1	SEE PAGE 56
	T6-4-22000S	Free Slide Roller Set (Stainless Steel Model)	1	SEE PAGE 56
16	TC-013	Inner Flange	1	
17	TC-014	Outer Flange	1	
18	TC-015	Protector	1	
19	TC-016	Reel Nut Handle	1	
20	TC-020	Pin	1	
21	TC-021	Split Pin	1	
22	TC-075	Center Drum 280MM (OPTION)	1	
23	TE-096	Panel	1	
30	BR6205ZZ	Bearing, 6205ZZ	2	
31	MB1525	Metal Bush, 1525	2	
32	ER12	Snap Ring, E-12	5	
	ER12S	Snap Ring, E-12 (Stainless Steel Model)	5	

4-2

REEL CONTROL GROUP

T6-4-20000

REF. NO.	PART NO.	DESCRIPTION	Q'TY	REMARKS
33	ER19	Snap Ring, E-19	1	
	ER19S	Snap Ring, E-19 (Stainless Steel Model)	1	
34	SR08	Stop Ring, S-8	1	
	SR08S	Stop Ring, S-8 (Stainless Steel Model)	1	
35	HBS0625	HBS, M6x25	1	
	HBS0625S	HBS, M6x25 (Stainless Steel Model)	1	
36	HBS0620	HBS, M6x20	3	
	HBS0620S	HBS, M6x20 (Stainless Steel Model)	3	
37	HBS0616	HBS, M6x16	2	
	HBS0616S	HBS, M6x16 (Stainless Steel Model)	2	
38	HN06	HN, M6	2	
	HN06S	HN, M6 (Stainless Steel Model)	2	
39	SW06	SW, M6	3	
	SW06S	SW, M6 (Stainless Steel Model)	3	
40	HSS0606	HSS, M6x6	1	
	HSS0606S	HSS, M6x6 (Stainless Steel Model)	1	
41	HB0816	HB, M8x16	1	
	HB0816S	HB, M8x16 (Stainless Steel Model)	1	
42	PW06A	PW, M6 (A)	1	
	PW06AS	PW, M6 (A) (Stainless Steel Model)	1	