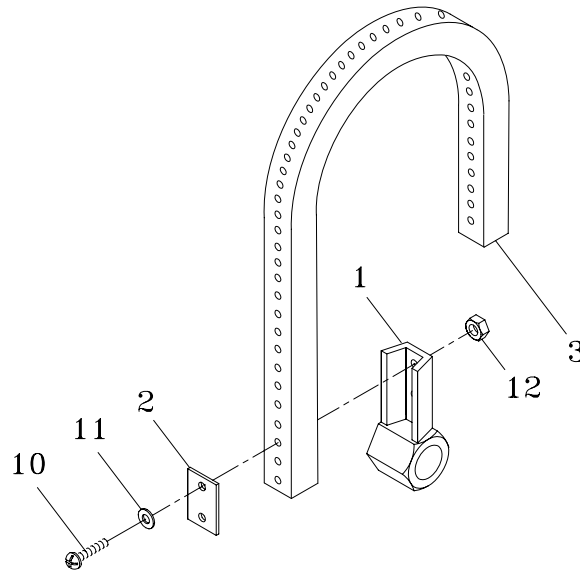


4-2-1

BRAKE BELT ASS'Y

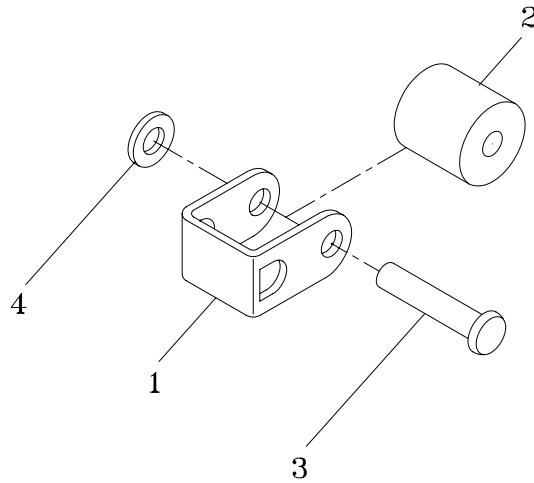
T6-4-21000



REF. NO.	PART NO.	DESCRIPTION	Q'TY	REMARKS
1	T6-4-21110	Brake Belt Holder	1	
	T6-4-21110S	Brake Belt Holder (Stainless Steel Model)	1	
2	T6-4-21120	Brake Holder Plate	1	
3	T6-4-21130	Brake V-Belt	1	
10	PMS0420	PMS, M4x20	2	
11	PW04	PW, M4	2	
12	HN04	HN, M4	2	

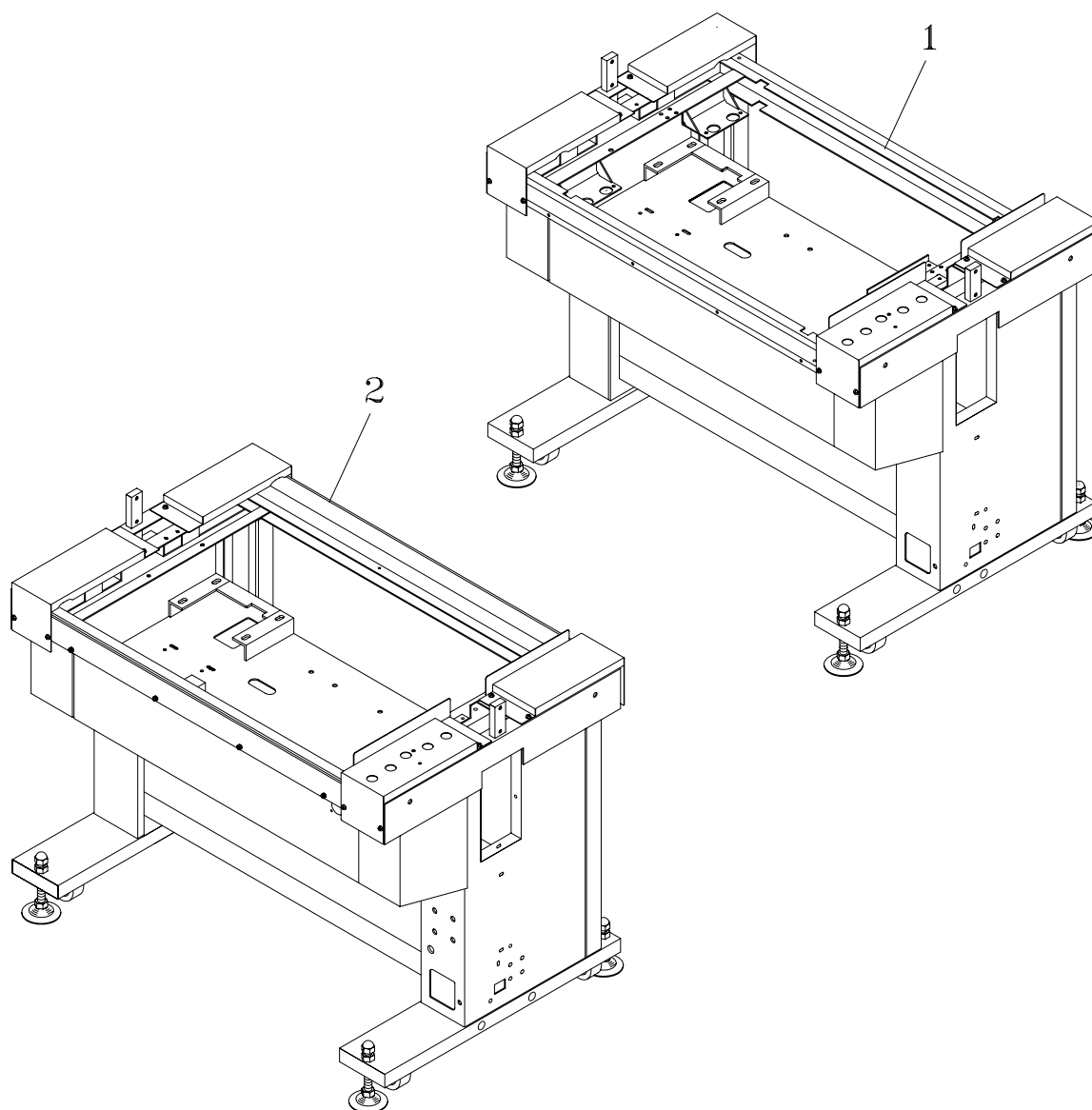
4-2-2

FREE SLIDE ROLLER SET T6-4-22000



REF. NO.	PART NO.	DESCRIPTION	Q'TY	REMARKS
1	T6-4-22110	Free Slide Roller Bracket	1	
	T6-4-22110S	Free Slide Roller Bracket (Stainless Steel Model)	1	
2	TE-028	Roller	1	
3	T6-4-11140	Rivet, $\$ 6 \times 30$	1	
	T6-4-11140S	Rivet, $\$ 6 \times 30$ (Stainless Steel Model)	1	
4	PN06	PN, $\$ 6$	1	
	PN06S	PN, $\$ 6$ (Stainless Steel Model)	1	

5

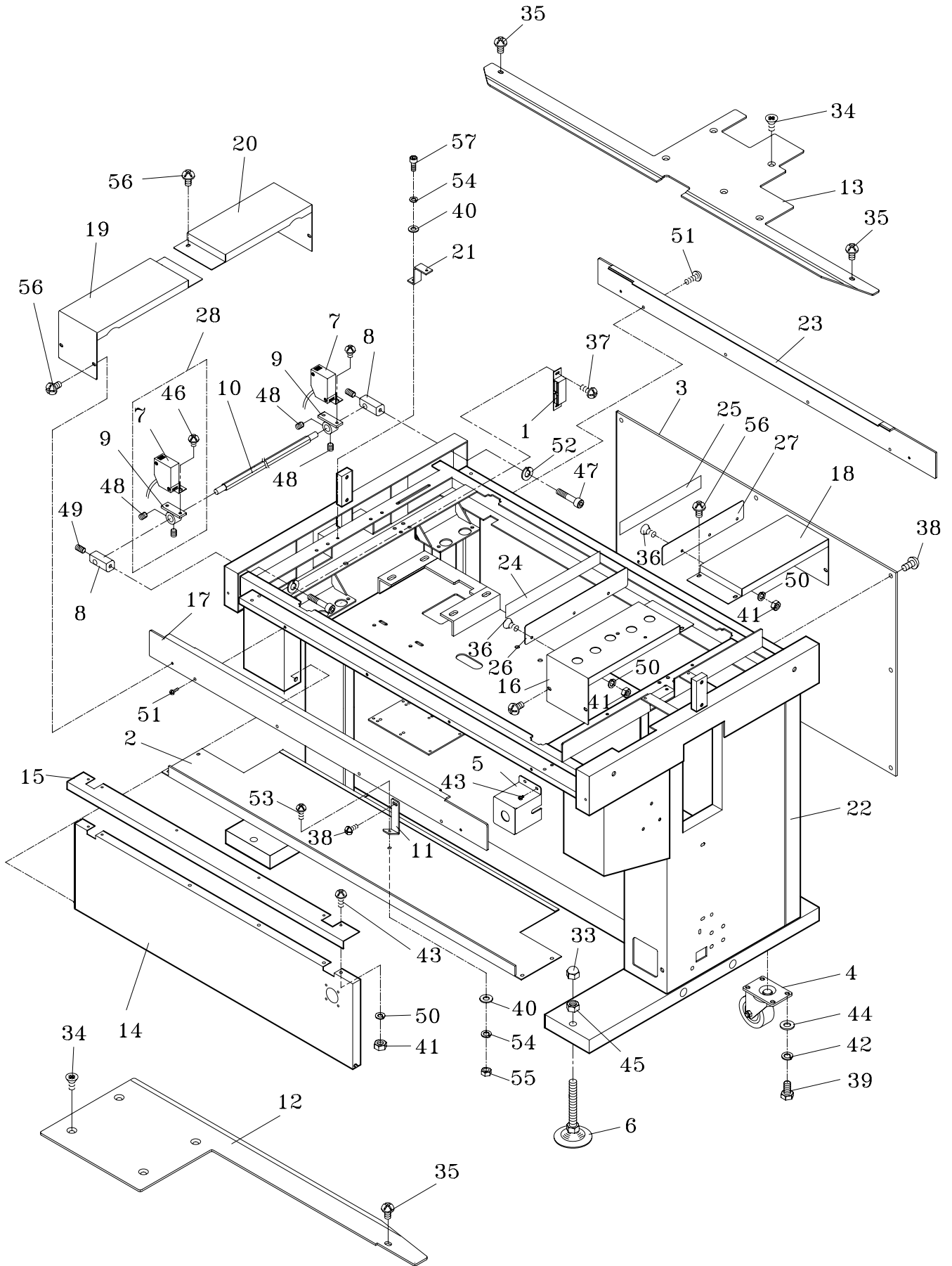
BODY UNIT**T6-5-90008****T6-5-90009**

REF. NO.	PART NO.	DESCRIPTION	Q'TY	REMARKS
	T6-5-90008	Body Unit (For TP-601A)	1	
	T6-5-90009	Body Unit (For TP-601B/BP)	1	
1	T6-5-50001	Body Group (For TP-601A, 850W)	1	SEE PAGE 58
	T6-5-50004	Body Group (For TP-601A, 1050W)	1	SEE PAGE 58
	T6-5-50005	Body Group (For TP-601A, 1250W)	1	SEE PAGE 58
2	T6-5-50002	Body Group (For TP-601B, 850W)	1	SEE PAGE 63
	T6-5-50006	Body Group (For TP-601B, 1050W)	1	SEE PAGE 63
	T6-5-50007	Body Group (For TP-601B, 1250W)	1	SEE PAGE 63
	T6-5-50003	Body Group (For TP-601BP, 850W)	1	SEE PAGE 63
	T6-5-50008	Body Group (For TP-601BP, 1050W)	1	SEE PAGE 63
	T6-5-50009	Body Group (For TP-601BP, 1250W)	1	SEE PAGE 63

5-4

BODY GROUP
(For TP-601A)

T6-5-50001



5-4**BODY GROUP
(For TP-601A)****T6-5-50001**

REF. NO.	PART NO.	DESCRIPTION	Q'TY	REMARKS
1	T6-5-10160	Magnet Catch	2	
2	T6-5-10170	Enclosed Bottom Plate (For 850W)	1	
	T6-5-10170S	Enclosed Bottom Plate (For 850W) (Stainless Steel Model)	1	
	T6-5-50170	Enclosed Bottom Plate (For 1050W, 1250W)	1	
	T6-5-50170S	Enclosed Bottom Plate (For 1050W, 1250W)(Stainless Steel Model)	1	
3	T6-5-10191	Rear Plate (For 850W)	1	
	T6-5-10191S	Rear Plate (For 850W) (Stainless Steel Model)	1	
	T6-5-50190	Rear Plate (For 1050W, 1250W)	1	
	T6-5-50190S	Rear Plate (For 1050W, 1250W) (Stainless Steel Model)	1	
4	T6-5-10230	Caster (Free)	4	
	T6-5-10232	Caster (Free)(Stainless Steel Model)	4	
5	T6-5-10260	Cover	1	
6	T6-5-10280	Support Bolt	4	
	T6-5-10281	Support Bolt (Stainless Steel Model)	4	
7	T6-5-10301	Photo Eye	2	
8	T6-5-10310	Block	2	
	T6-5-10310S	Block (Stainless Steel Model)	2	
9	T6-5-10320	Support	2	
	T6-5-10320S	Support (Stainless Steel Model)	2	
10	T6-5-10332	Shaft	1	
	T6-5-10332S	Shaft (Stainless Steel Model)	1	
11	T6-5-10911	Bracket	1	
	T6-5-10911S	Bracket (Stainless Steel Model)	1	
12	T6-1-20940	Cover	1	
	T6-1-20940S	Cover (Stainless Steel Model)	1	
13	T6-1-20950	Loop-Eject Plate (For 850W, 9mm)	1	
	T6-1-20950S	Loop-Eject Plate (For 850W, 9mm) (Stainless Steel Model)	1	
	T6-1-20951	Loop-Eject Plate (For 850W,12mm)	1	
	T6-1-20951S	Loop-Eject Plate (For 850W,12mm) (Stainless Steel Model)	1	

5-4**BODY GROUP
(For TP-601A)****T6-5-50001**

REF. NO.	PART NO.	DESCRIPTION	Q'TY	REMARKS
	T6-1-20952	Loop-Eject Plate (For 1050W, 1250W, 9mm)	1	
	T6-1-20952S	Loop-Eject Plate (For 1050W, 1250W, 9mm) (Stainless Steel Model)	1	
	T6-1-20953	Loop-Eject Plate (For 1050W,1250W, 12mm)	1	
	T6-1-20953S	Loop-Eject Plate (For 1050W,1250W, 12mm)	1	
14	T6-5-50121	Front Door (For 850W)	1	
	T6-5-50122	Front Door (For 1050W, 1250W)	1	
15	T6-5-50131	Front Door Handle (For 850W)	1	
	T6-5-50131S	Front Door Handle (For 850W) (Stainless Steel Model)	1	
	T6-5-50132	Front Door Handle (For 1050W, 1250W)	1	
	T6-5-50132S	Front Door Handle (For 1050W, 1250W) (Stainless Steel Model)	1	
16	T6-5-50242	Control Plate	1	
17	T6-5-50342	Cover (For 850W)	1	
	T6-5-50342S	Cover (For 850W)(Stainless Steel Model)	1	
	T6-5-50343	Cover (For 1050W)	1	
	T6-5-50343S	Cover (For 1050W)(Stainless Steel Model)	1	
	T6-5-50345	Cover (For 1250W)	1	
	T6-5-50345S	Cover (For 1250W)(Stainless Steel Model)	1	
18	T6-5-50350	Cover	1	
	T6-5-50350S	Cover (Stainless Steel Model)	1	
19	T6-5-50361	Cover	1	
	T6-5-50361S	Cover (Stainless Steel Model)	1	
20	T6-5-50371	Cover	1	
	T6-5-50371S	Cover (Stainless Steel Model)	1	
21	T6-5-50381	Support	1	
22	T6-5-50511	Body Frame (For 850W)	1	
	T6-5-50511S	Body Frame (For 850W) (Stainless Steel Model)	1	
	T6-5-50521	Body Frame (For 1050W)	1	
	T6-5-50521S	Body Frame (For 1050W) (Stainless Steel Model)	1	

5-4**BODY GROUP
(For TP-601A)****T6-5-50001**

REF. NO.	PART NO.	DESCRIPTION	Q'TY	REMARKS
	T6-5-50523	Body Frame (For 1250W)	1	
	T6-5-50523S	Body Frame (For 1250W) (Stainless Steel Model)	1	
23	T6-5-50530	Cover (For 850W)	1	
	T6-5-50531	Cover (For 1050W)	1	
	T6-5-50532	Cover (For 1250W)	1	
24	T6-5-50540	Sensor Label	1	
25	T6-5-50550	Sensor Label	1	
26	T6-5-50970	Sensor Plate (Front)	1	
	T6-5-50970S	Sensor Plate (Front) (Stainless Steel Model)	1	
27	T6-5-50980	Sensor Plate (Rear)	1	
	T6-5-50980S	Sensor Plate (Rear) (Stainless Steel Model)	1	
28	T6-5-50960	Photo Eye Ass'y	2	
33	CAP5/8	CAP, 5/8"	4	
	CAP5/8S	CAP, 5/8" (Stainless Steel Model)	4	
34	FMS0508S	FMS, M5x8 (SUS)	12	
35	TMS0508S	TMS, M5x8 (SUS)	3	
36	FMS0410S	FMS, M4x10 (SUS)	6	
37	TMS0308	TMS, M3x8	4	
38	TMS0508	TMS, M5x8	9	
	TMS0508S	TMS, M5x8 (Stainless Steel Model)	9	
39	HB0616	HB, M6x16	16	
	HB0616S	HB, M6x16 (Stainless Steel Model)	16	
40	PW05	PW, M5	2	
41	HN04	HN, M4	12	
	HN04S	HN, M4 (Stainless Steel Model)	12	
42	SW06	SW, M6	16	
	SW06S	SW, M6 (Stainless Steel Model)	16	
43	TMS0408	TMS, M4x8	8	
	TMS0408S	TMS, M4x8 (Stainless Steel Model)	8	

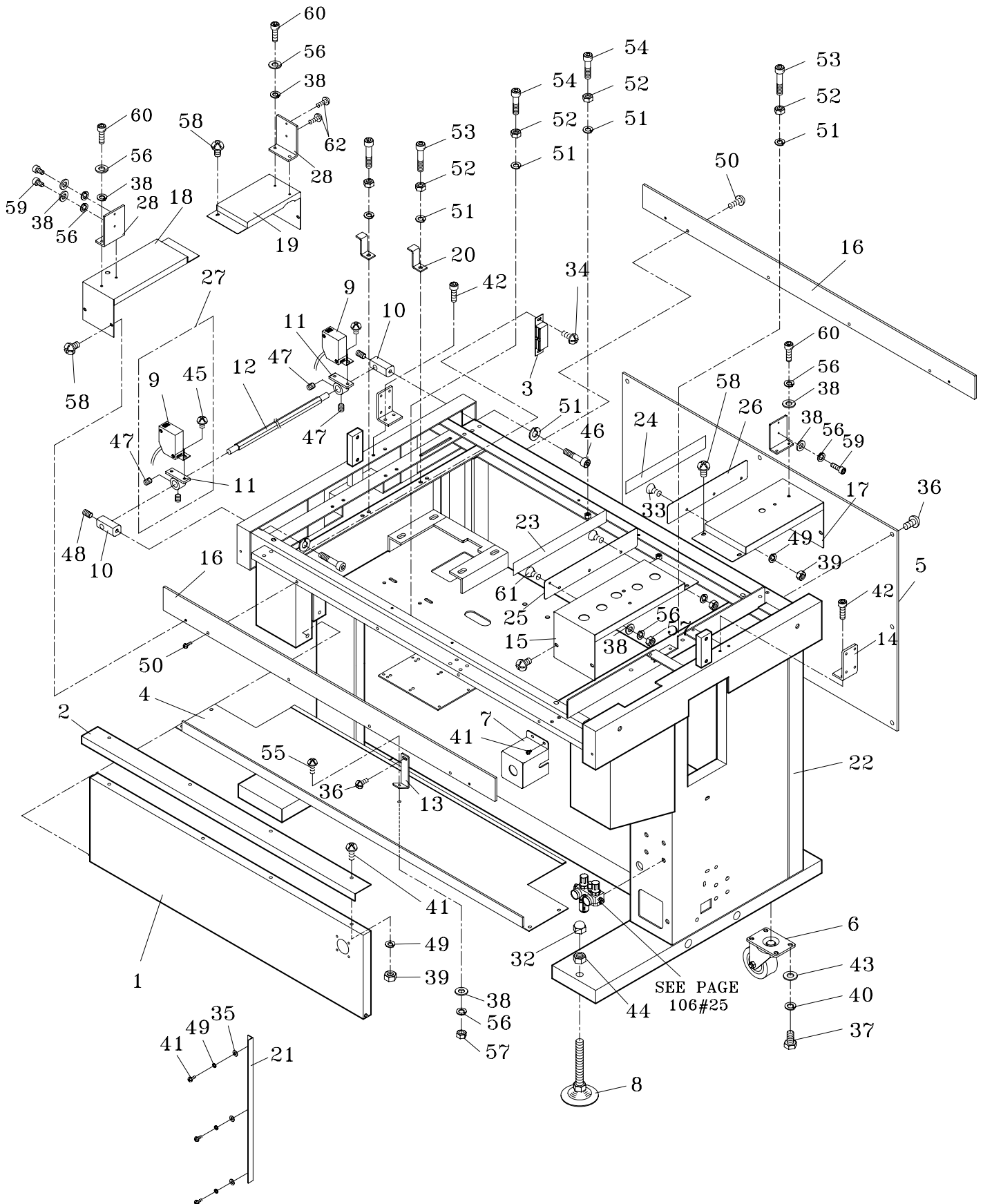
5-4**BODY GROUP
(For TP-601A)****T6-5-50001**

REF. NO.	PART NO.	DESCRIPTION	Q'TY	REMARKS
44	PW06C	PW, M6 (C)	16	
	PW06CS	PW, M6 (C)(Stainless Steel Model)	16	
45	HN5/8	HN, 5/8"	4	
	HN16S	HN, M16 (Stainless Steel Model)	4	
46	TMS0608	TMS, M6x8	4	
47	HBS0816	HBS, M8x16	2	
48	HSS0610	HSS, M6x10	4	
	HSS0610S	HSS, M6x10 (Stainless Steel Model)	4	
49	HSS0508	HSS, M5x8	2	
	HSS0508S	HSS, M5x8 (Stainless Steel Model)	2	
50	SW04	SW, M4	12	
	SW04S	SW, M4 (Stainless Steel Model)	12	
51	TMS0612	TMS, M6x12	8	
	TMS0612S	TMS, M6x12 (Stainless Steel Model)	8	
52	SW08	SW, M8	2	
53	TMS0512	TMS, M5x12	1	
54	SW05	SW, M5	2	
55	HN05	HN, M5	1	
56	TMS0506	TMS, M5x6	16	
	TMS0506S	TMS, M5x6 (Stainless Steel Model)	16	
57	HBS0610	HBS, M6x10	1	

5-5

BODY GROUP (For TP-601B, TP-601BP)

T6-5-50002 T6-5-50003



5-5

**BODY GROUP
(For TP-601B, TP-601BP)**

**T6-5-50002
T6-5-50003**

REF. NO.	PART NO.	DESCRIPTION	QTY	REMARKS
1	T6-5-50002	Body Group (For TP-601B)	1	
	T6-5-50003	Body Group (For TP-601BP)	1	
	T6-5-10122	Front Door (For 850W, 1250W)	1	
	T6-5-10122S	Front Door (For 850W, 1250W) (Stainless Steel Model)	1	
	T6-5-10124	Front Door (For 1050W)	1	
	T6-5-10124S	Front Door (For 1050W) (Stainless Steel Model)	1	
2	T6-5-10130	Front Door Handle (For 850W, 1250W)	1	
	T6-5-10130S	Front Door Handle (For 850W, 1250W) (Stainless Steel Model)	1	
	T6-5-50130	Front Door Handle (For 1050W)	1	
	T6-5-50130S	Front Door Handle (For 1050W) (Stainless Steel Model)	1	
3	T6-5-10160	Magnet Catch	2	
4	T6-5-10170	Enclosed Bottom Plate (For 850W, 1250W)	1	
	T6-5-10170S	Enclosed Bottom Plate (For 850W, 1250W) (Stainless Steel Model)	1	
	T6-5-50170	Enclosed Bottom Plate (For 1050W)	1	
	T6-5-50170S	Enclosed Bottom Plate (For 1050W) (Stainless Steel Model)		
5	T6-5-10191	Rear Plate (For 850W, 1250W)	1	
	T6-5-50190	Rear Plate (For 1050W)	1	
6	T6-5-10230	Caster (Free)	4	
	T6-5-10232	Caster (Free)(Stainless Steel Model)	4	
7	T6-5-10260	Cover	1	
8	T6-5-10280	Support Bolt	4	
	T6-5-10281	Support Bolt (Stainless Steel Model)	4	
9	T6-5-10301	Photo Eye	2	
10	T6-5-10310	Block	2	
	T6-5-10310S	Block (Stainless Steel Model)	2	
11	T6-5-10320	Support	2	
	T6-5-10320S	Support (Stainless Steel Model)	2	
12	T6-5-10332	Shaft	1	
	T6-5-10332S	Shaft (Stainless Steel Model)	1	
13	T6-5-10911	Bracket	1	

5-5**BODY GROUP
(For TP-601B, TP-601BP)****T6-5-50002
T6-5-50003**

REF. NO.	PART NO.	DESCRIPTION	Q'TY	REMARKS
14	T6-5-13340	Bracket (For TP-601BP)	2	
	T6-5-13340S	Bracket (For TP-601BP) (Stainless Steel Model)	1	
15	T6-5-50242	Control Plate	1	
	T6-5-50242S	Control Plate (Stainless Steel Model)	1	
16	T6-5-50340	Cover (For 850W)	2	
	T6-5-50340S	Cover (For 850W) (Stainless Steel Model)	2	
	T6-5-50341	Cover (For 1050W)	2	
	T6-5-50341S	Cover (For 1050W) (Stainless Steel Model)	2	
	T6-5-50344	Cover(For 1250W)	1	
	T6-5-50344S	Cover(For 1250W) (Stainless Steel Model)	1	
	T6-5-50350	Cover (For TP-601B)	1	
	T6-5-50350S	Cover (For TP-601B) (Stainless Steel Model)	1	
17	T6-5-50351	Cover (For TP-601BP)	1	
	T6-5-50351S	Cover (For TP-601BP) (Stainless Steel Model)	1	
	T6-5-50360	Cover (For TP-601B)	1	
	T6-5-50360S	Cover (For TP-601B) (Stainless Steel Model)	1	
18	T6-5-50362	Cover (For TP-601BP)	1	
	T6-5-50362S	Cover (For TP-601BP) (Stainless Steel Model)	1	
	T6-5-50370	Cover (For TP-601B)	1	
	T6-5-50370S	Cover (For TP-601B) (Stainless Steel Model)	1	
19	T6-5-50372	Cover (For TP-601BP) (Stainless Steel Model)	1	
	T6-5-50372S	Cover (For TP-601BP) (Stainless Steel Model)	1	
	T6-5-50380	Support	2	
20	T6-5-50380S	Support (Stainless Steel Model)	2	
21	T6-5-50400	Guide (For 1050W)	1	
22	T6-5-50510	Body Frame (For 850W)	1	
	T6-5-50510S	Body Frame (For 850W) (Stainless Steel Model)	1	
	T6-5-50520	Body Frame (For 1050W)	1	

5-5

BODY GROUP
(For TP-601B, TP-601BP)

T6-5-50002
T6-5-50003

REF. NO.	PART NO.	DESCRIPTION	Q'TY	REMARKS
	T6-5-50520S	Body Frame (For 1050W) (Stainless Steel Model)	1	
	T6-5-50560	Body Frame (For 1250W)	1	
	T6-5-50560S	Body Frame (For 1250W) (Stainless Steel Model)	1	
23	T6-5-50540	Sensor Label	1	
24	T6-5-50550	Sensor Label (For TP-601B)	1	
	T6-5-50551	Sensor Label (For TP-601BP)	1	
25	T6-5-50970	Sensor Plate (Front) (For TP-601B)	1	
	T6-5-50970S	Sensor Plate (Front) (For TP-601B) (Stainless Steel Model)	1	
	T6-5-50971	Sensor Plate (Front) (For TP-601BP)	1	
	T6-5-50971S	Sensor Plate (Front) (For TP-601BP) (Stainless Steel Model)	1	
26	T6-5-50980	Sensor Plate (Rear) (For TP-601B)	1	
	T6-5-50980S	Sensor Plate (Rear) (For TP-601B) (Stainless Steel Model)	1	
	T6-5-50981	Sensor Plate (Rear) (For TP-601BP)	1	
	T6-5-50981S	Sensor Plate (Rear) (For TP-601BP) (Stainless Steel Model)	1	
27	T6-5-50960	Photo Eye Ass'y	2	
28	T6-5-50570	Bracket (For TP-601BP)	3	
	T6-5-50570S	Bracket (For TP-601BP) (Stainless Steel Model)	3	
32	CAP5/8	CAP, 5/8"	4	
	CAP5/8S	CAP, 5/8" (Stainless Steel Model)	4	
33	FMS0410S	FMS, M4x10 (SUS)	6	
34	TMS0308	TMS, M3x8	4	
35	PW04	PW, M4	3	
36	TMS0508	TMS, M5x8	9	
	TMS0508S	TMS, M5x8 (Stainless Steel Model)	9	
37	HB0616	HB, M6x16	16	
	HB0616S	HB, M6x16 (Stainless Steel Model)	16	
38	PW05	PW, M5	12	
	PW05S	PW, M5(Stainless Steel Model)	12	
39	HN04	HN, M4	10	
	HN04S	HN, M4 (Stainless Steel Model)	10	
40	SW06	SW, M6	16	

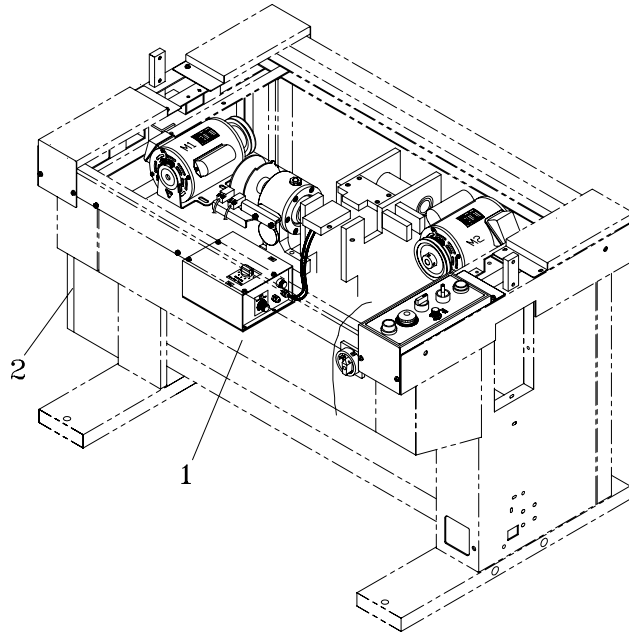
5-5

BODY GROUP
(For TP-601B, TP-601BP)

T6-5-50002
T6-5-50003

REF. NO.	PART NO.	DESCRIPTION	Q'TY	REMARKS
	SW06S	SW, M6 (Stainless Steel Model)	16	
41	TMS0408	TMS, M4x8	9	
	TMS0408S	TMS, M4x8 (Stainless Steel Model)	9	
42	HBS0616	HBS, M6x16	4	
43	PW06C	PW, M6 (C)	16	
	PW06CS	PW, M6 (C)(Stainless Steel Model)	16	
44	HN5/8	HN, 5/8"	4	
	HN16S	HN, M16 (SUS)	4	
45	TMS0608	TMS, M6x8	4	
	TMS0608S	TMS, M6x8 (Stainless Steel Model)	4	
46	HBS0816	HBS, M8x16	2	
	HBS0816S	HBS, M8x16 (Stainless Steel Model)	2	
47	HSS0610	HSS, M6x10	4	
	HSS0610S	HSS, M6x10 (Stainless Steel Model)	4	
48	HSS0508		2	
	HSS0508S	HSS, M5x8 (Stainless Steel Model)	2	
49	SW04	SW, M4	13	
	SW04S	SW, M4 (Stainless Steel Model)	13	
50	TMS0612	TMS, M6x12	8	
51	SW08	SW, M8	10	
52	HN08	HN, M8	8	
53	HBS0860H	HBS, M8x60 (H)	4	
54	HBS0850H	HBS, M8x50 (H)	4	
55	TMS0512	TMS, M5x12	1	
56	SW05	SW, M5	12	
	SW05S	SW, M5 (Stainless Steel Model)	12	
57	HN05	HN, M5	2	
	HN05S	HN, M5 (Stainless Steel Model)	2	
58	TMS0506	TMS, M5x6	14	
	TMS0506S	TMS, M5x6 (Stainless Steel Model)	14	
59	HBS0516	HBS, M5x16	4	
	HBS0516S	HBS, M5x16 (Stainless Steel Model)	4	
60	HBS0512	HBS, M5x12	6	
	HBS0512S	HBS, M5x12 (Stainless Steel Model)	6	
61	THS0516	THS, M5x16	1	
62	TMS0516	TMS, M5x16	2	

6

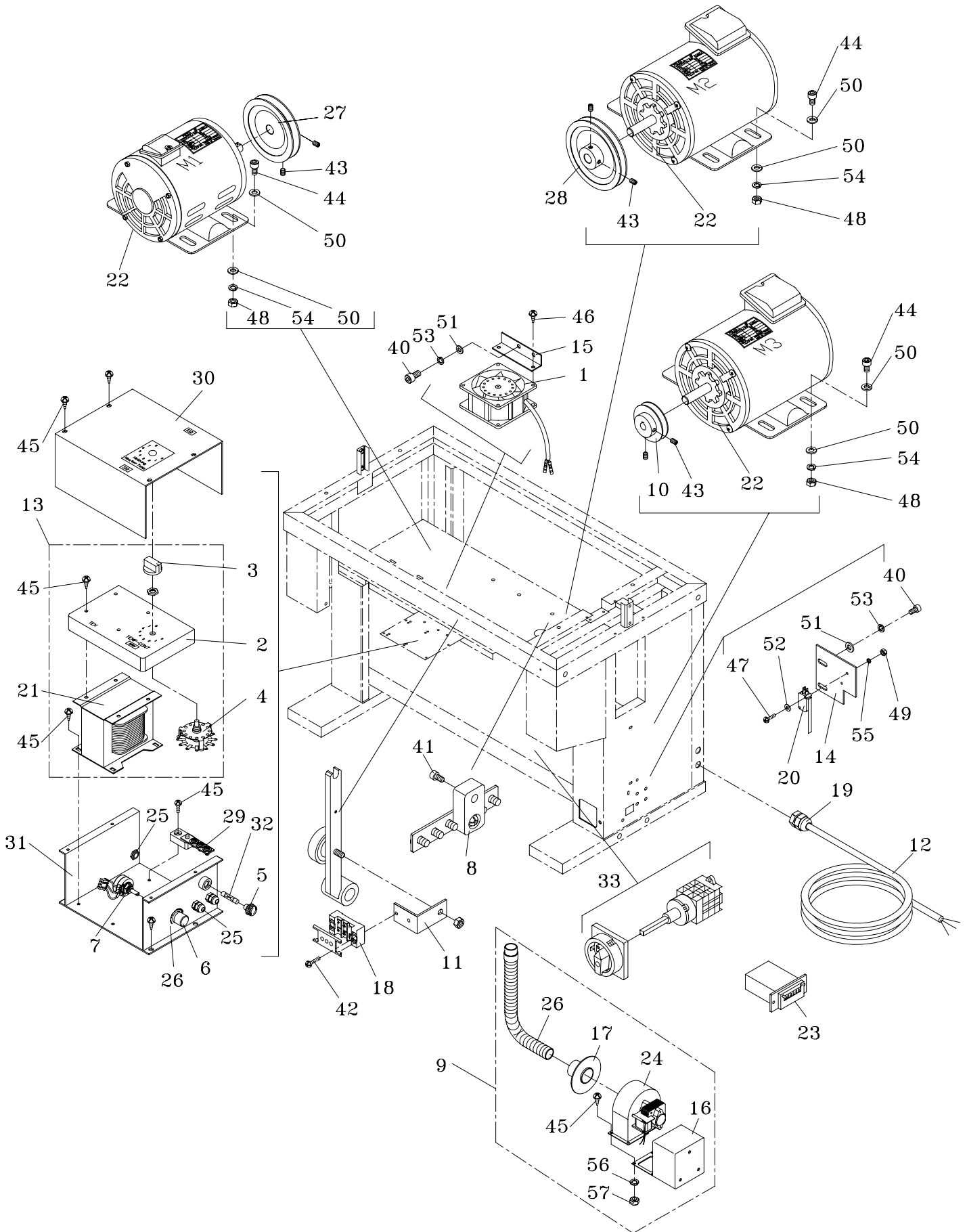
ELECTRIC CONTROL UNIT T6-6-90007

REF. NO.	PART NO.	DESCRIPTION	Q'TY	REMARKS
1	T6-6-10020	Electric Group (For 3PH, 220V)	1	SEE PAGE 69
2	T6-6-70001	Control Group	1	SEE PAGE 72
	T6-6-70002	Control Group (OPTION For SIEMENS PLC)	1	SEE PAGE 75

6-1

ELECTRIC GROUP

T6-6-10020



6-1**ELECTRIC GROUP****T6-6-10020**

REF. NO.	PART NO.	DESCRIPTION	Q'TY	REMARKS
1	TF-021-1	Fan (For 220V/230V/240V)	1	
2	TF-024	Transformer Cover	1	
3	TF-025	Knob	1	
4	TF-027	Selector Switch	1	
5	TG-013	Fuse Holder	1	
6	T5-4-10221	Knob	1	
7	T5-4-10231	Variable Resistor (5K)(ϕ 3)	1	
8	T5-4-10310	Earth Plate (5P)	1	
9	T6-1-43002	Smoke-Exhaustion System, without activated carbon filter.(For TP-601A)	1	
10	T6-1-71160	Feed Roller Pulley	1	
11	T6-6-10140	Heater Terminal Bracket	1	
12	T6-6-10161	Cap Tire	1	
	T6-6-10166	Cap Tire (For CSA)	1	
13	T6-6-10171	Heater Transformer Ass'y	1	
14	T6-6-10200	Limit Switch Base	1	
15	T6-6-10260	Smoke Fan Bracket	1	
16	T6-6-10270	Smoke Fan Box	1	
17	T6-6-10280	Nipple	1	
18	T6-6-10320	Heater Terminal	1	
19	T6-6-10340	Grommet (PG13.5)	1	
20	T6-6-10380	Limit Switch (LS4)	1	
21	T6-6-10391	Heater Transformer	1	
22	T6-6-10442	Motor (For M1/M2/M3, 3PH, 220V)	3	
23	T6-6-10530	Counter (OPTION)	1	
24	T6-6-10971	Fan (For Smoke, OPTION)	1	
25	T6-6-10980	Grommet (PG11)	3	
26	T6-6-10990	Panel	1	
27	T6-6-30002	Motor (M1) Pulley	1	
28	T6-6-30136	Motor (M2) Pulley	1	
29	T6-6-30200	Earth Plate (3P)	1	
30	T6-6-40002	Transformer Box Cover	1	
31	T6-6-40006	Transformer Box	1	
32	T6-6-40007	Fuse 15A	1	
33	T6-6-40010	Main Power Switch	1	

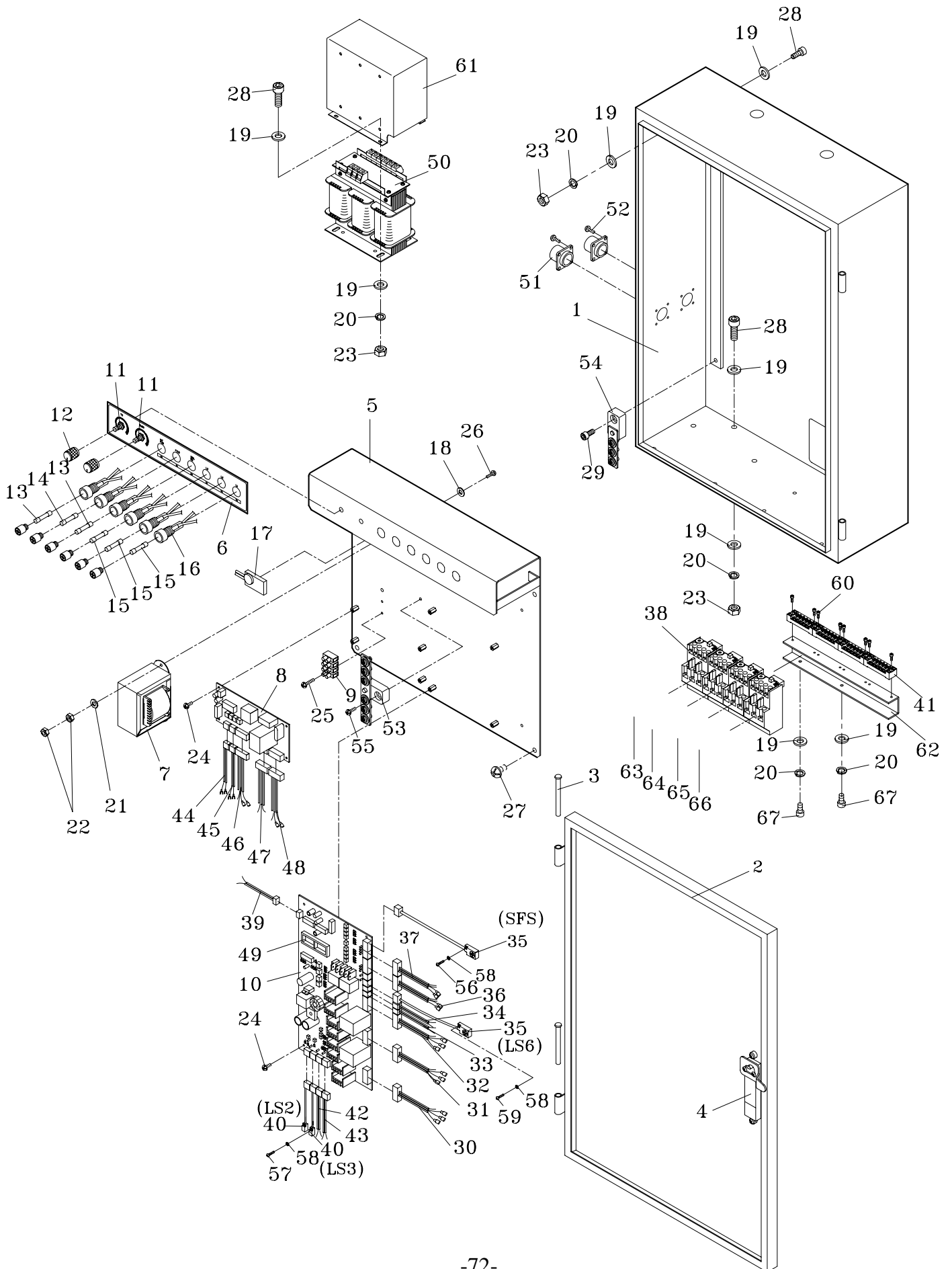
6-1**ELECTRIC GROUP****T6-6-10020**

REF. NO.	PART NO.	DESCRIPTION	Q'TY	REMARKS
40	HBS0510	HBS, M5x10	4	
41	HBS0512	HBS, M5x12	1	
42	PMS0410	PMS, M4x10	2	
43	HSS0610	HSS, M6x10	4	
44	HBS0620	HBS, M6x20	12	
45	TMS0408	TMS, M4x8	17	
46	TMS0508	TMS, M5x8	2	
47	PMS0315	PMS, M3x15	2	
48	HN06	HN, M6	12	
49	HN03	HN, M3	2	
50	PW06C	PW, M6 (C)	24	
51	PW05	PW, M5	4	
52	PW04	PW, M4	8	
53	SW05	SW, M5	3	
54	SW06	SW, M6	12	
55	SW03	SW, M3	2	
56	SW04	SW, M4	4	
57	HN04	HN, M4	4	

6-2

CONTROL GROUP

T6-6-70001
T6-6-70003



6-2

CONTROL GROUP

T6-6-70001

T6-6-70003

REF. NO.	PART NO.	DESCRIPTION	QTY	REMARKS
	T6-6-70001	Control Group (For TP-601A/B)	1	
	T6-6-70003	Control Group (For TP-601BP)	1	
1	T6-6-60110	Control Box	1	
	T6-6-60110S	Control Box (Stainless Steel Model)	1	
2	T6-6-60120	Control Box Door	1	
	T6-6-60120S	Control Box Door (Stainless Steel Model)	1	
3	T6-6-60130	Pin	2	
	T6-6-60130S	Pin (Stainless Steel Model)	2	
4	T6-6-60140	Door Lock	1	
5	T6-6-70150	Plate	1	
6	T6-6-70161	Panel	1	
7	T6-6-30041	Transformer	1	
8	T6-6-70181	P.C.Board (For TP-601A/B)	1	
	T6-6-70182	P.C.Board (For TP-601BP)	1	
9	T6-6-70190	Terminal	1	
10	T6-6-70201	P.C.Board (For TP-601A/TP-601B, 50HZ)	1	
	T6-6-70202	P.C.Board (For TP-601A/TP-601B, 60HZ)	1	
	T6-6-70203	P.C.Board (For TP-601BP, 50HZ)	1	
	T6-6-70205	P.C.Board (For TP-601BP, 60HZ)	1	
11	T5-4-10231	Variable Resistor (5K)	2	
12	T5-4-10221	Knob	2	
13	T6-6-30031	Fuse (2A)	2	
14	T6-6-30036	Fuse (1A)	1	
15	T6-6-30034	Fuse (7A)	3	
16	T5-4-10160	Fuse Holder	6	
17	T6-6-30047	EMI Filter	1	
18	PW04	PW, M4	2	
19	PW06C	PW, M6 (C)	8	
	PW06C	PW, M6 (C) (For CSA)	2	
20	SW06	SW, M6	4	
	SW06	SW, M6 (For CSA)	2	
21	PW04	PW, M4	2	
22	HN04	HN, M4	4	
23	HN06	HN, M6	4	
24	PMS0305	PMS, M3x5	10	
25	PMS0312	PMS, M3x12	2	
26	PMS0412	PMS, M4x12	2	

6-2**CONTROL GROUP****T6-6-70001****T6-6-70003**

REF. NO.	PART NO.	DESCRIPTION	Q'TY	REMARKS
27	TMS0608	TMS, M6x8	4	
28	HBS0616	HBS, M6x16	4	
29	HBS0612	HBS, M6x12	1	
30	T6-8-21452	Wire Ass'y X1 (For Motor M1)	1	
31	T6-8-21453	Wire Ass'y X2 (For Motor M2)	1	
32	T6-8-21454	Wire Ass'y X3 (For Motor M3)	1	
33	T6-8-20470	Wire Ass'y X4 (For Motor M5)	1	
34	T6-8-20480	Wire Ass'y X5 (For Motor M5-1)	1	
35	T6-1-50680	Proximity Sensor (For LS6, SFS)	2	SEE PAGE 5
36	T6-8-20510	Wire Ass'y X8 (For Control Panel)	1	
37	T6-8-20520	Wire Ass'y X9 (For LS4, LS5)	1	
38	T6-6-50260	Over Load Relay (For CSA)	4	
39	T6-8-20530	Wire Ass'y X10 (For T1)	1	
40	T6-1-10680	Proximity Sensor (For LS2, LS3)	2	SEE PAGE 2
41	TF-015	Terminal Bracket (For CSA)	4	
42	T6-8-20560	Wire Ass'y X13 (For Weld Cooling Time)	1	
43	T6-8-20570	Wire Ass'y X14 (For BRK)	1	
44	T6-6-70491	Wire Ass'y X15-1 (For Photo Eye 1)	1	
45	T6-6-70501	Wire Ass'y X15-2 (For Photo Eye 2)	1	
46	T6-6-70510	Wire Ass'y X16 (For Control Plate)	1	
47	T6-6-70520	Wire Ass'y X18 (For Conveyor Brake & Clutch)	1	
48	T6-6-70530	Wire Ass'y X19 (For Conveyor Motor)	1	
49	T6-6-70541	CPU (For TP-601A/B)	1	
	T6-6-70542	CPU (For TP-601BP)	1	
50	T6-8-21290	Transformer (For 380V/415V)	1	
51	T6-6-10350	Connector (For Conveyor Singnal)	2	
52	TMS0308	TMS, M3x8	2	
53	T6-6-10250	Earth Plate (6P)	1	
54	T6-6-30200	Earth Plate (3P)	1	
55	TMS0412	TMS, M4x12	1	
56	PMS0310	PMS, M3x10	2	SEE PAGE 5
57	PMS0320	PMS, M3x20	4	SEE PAGE 2
58	SW03	SW, M3	8	SEE PAGE 2, 5
59	PMS0325	PMS, M3x25	2	SEE PAGE 5
60	HBS0408	HBS, M4x8 (For CSA)	8	
61	T6-8-21300	Transformer Cover (For CSA)	1	

6-2**CONTROL GROUP****T6-6-70001****T6-6-70003**

REF. NO.	PART NO.	DESCRIPTION	Q'TY	REMARKS
62	T6-7-70290	Holder (For CSA)	1	
63	T6-8-21457	Wire Ass'y F10 (For Motor M1, CSA)	1	
64	T6-8-21458	Wire Ass'y F11 (For Motor M2, CSA)	1	
65	T6-8-21459	Wire Ass'y F12 (For Motor M3, CSA)	1	
66	T6-8-21460	Wire Ass'y F13 (For Conveyor Motor, CSA)	1	
67	HBS0610	HBS, M6x10 (For CSA)	2	

6-3

CONTROL GROUP
(OPTION For SIEMENS PLC)

T6-6-70002

REF. NO.	PART NO.	DESCRIPTION	Q'TY	REMARKS
1	T6-6-60110	Control Box	1	
	T6-6-60110S	Control Box (Stainless Steel Model)	1	
2	T6-6-60120	Control Box Door	1	
	T6-6-60120S	Control Box Door (Stainless Steel Model)	1	
3	T6-6-60130	Pin	2	
	T6-6-60130S	Pin (Stainless Steel Model)	2	
4	T6-6-60140	Door Lock	1	
5	T7-5-20210	Rubber Plug	2	
6	T6-6-60151	Plate (PLC)	1	
7	T7-6-11780	Control Plate	1	
8	T6-6-70170	Panel (PLC)	1	
9	T5-4-10232	Variable Resistor (§ 6.0)	2	
	T5-4-10232	Variable Resistor (§ 6.0) (Option For Transit Speed)	3	
10	T5-4-10222	Knob (Hole § 6.0)	2	
	T5-4-10222	Knob (Hole § 6.0) (Option For Transit Speed)	3	
11	T6-6-10460	Snap Switch (For TP-601BP)	1	
12	T7-6-10600	PCB Support	1	
13	T7-6-11650	PCB (For M5/M5-1, Y1/Y2/Y3)	1	
14	T7-6-11680	CPU (A1)	1	
15	T7-6-11692	Expansion I/O (A2)	1	
16	T7-6-11700	Modules D/A (A3)	1	
17	TT-5-10181	Power Supply	1	
18	T7-6-10701	Frequency Inverter (Option For Transit Speed)	1	
19	T7-6-10690	Magnetic Switch	5	
	T7-6-10690	Magnetic Switch (Option For Transit Speed)	4	
20	T7-6-10990	Over Relay	4	
	T7-6-10990	Over Relay (Option For Transit Speed)	3	
21	T7-6-10390	PCB (For Sensor)	2	
22	T7-6-10820	Relay Socket	3	
	T7-6-10820	Relay Socket (Option For Press Bar)	4	
23	T7-6-10660	Relay	3	
	T7-6-10660	Relay (Option For Press Bar)	4	
24	T7-6-10680	Diode	3	
	T7-6-10680	Diode (Option For Press Bar)	4	
25	T6-6-50280	Fuse (5A)	6	
26	T6-6-50290	Fuse (2A)	2	
27	T7-6-10290	Fuse (3A)	2	

6-3

CONTROL GROUP
(OPTION For SIEMENS PLC)

T6-6-70002

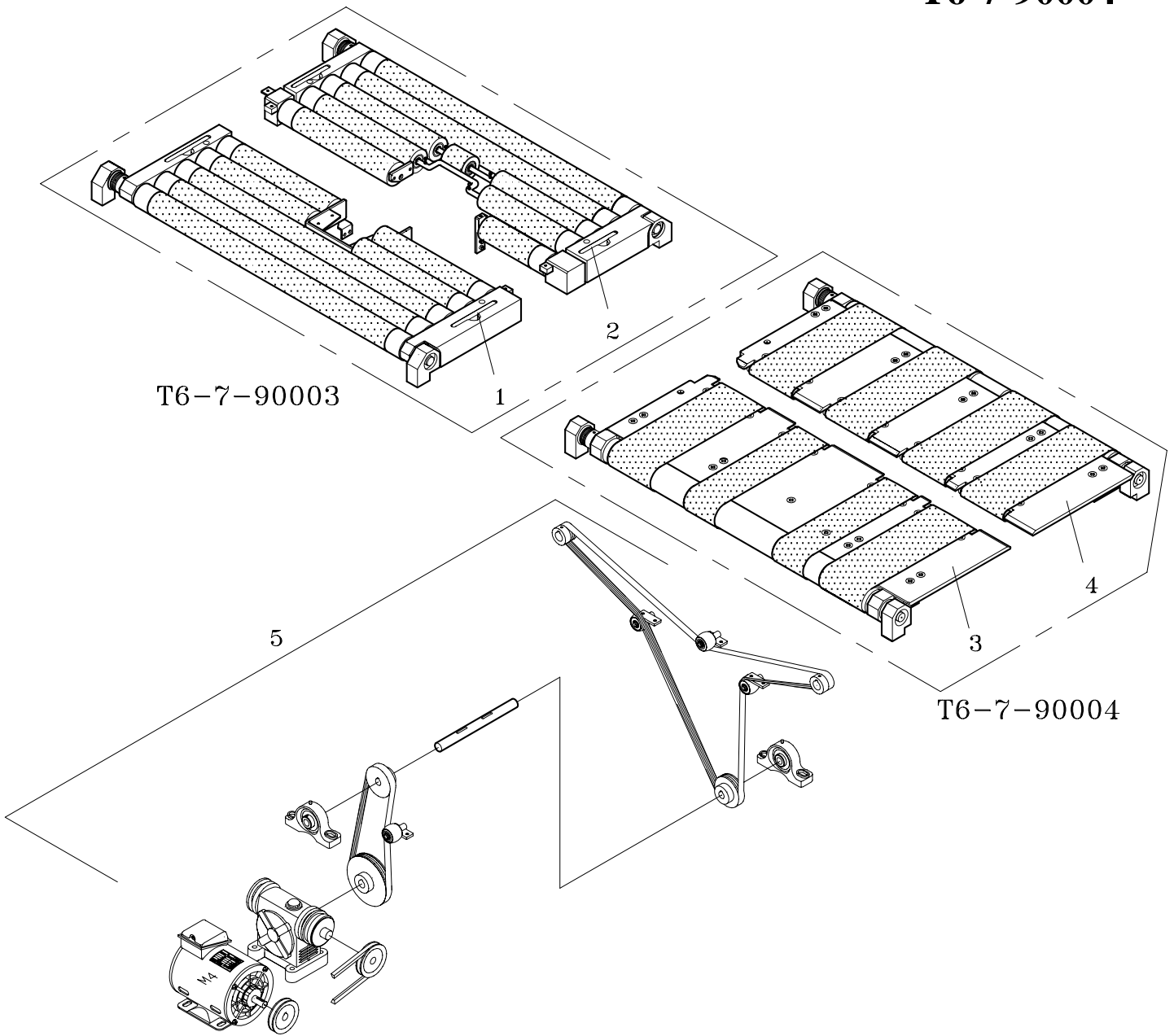
REF. NO.	PART NO.	DESCRIPTION	Q'TY	REMARKS
	T7-6-10290	Fuse (3A) (Option For Transit Speed)	4	
28	T6-6-50180	Fuse Holder	5	
	T6-6-50180	Fuse Holder (Option For Transit Speed)	6	
29	T6-6-50330	End Plate (Fuse)	1	
30	T7-6-10630	End Plate	1	
31	T7-6-11720	Jumper (Terminal 3S)	3	
33	T6-6-10350	Connector (For Conveyor Signal)	2	
34	T6-6-10980	Grommet (PG11)	2	
35	WD45450470	Wire Duct 45x45x470	1	
36	WD25450275	Wire Duct 25x45x275	2	
37	WD45450300	Wire Duct 45x45x300	1	
38	T7-6-11172	Output Wire For M4 P.C.B	1	
39	T7-6-11181	Power Wire For M4 P.C.B	1	
40	T7-6-11193	Control Wire For M4 P.C.B	1	
41	T6-1-10680	Proximity Sensor (LS2, LS3)	2	
42	T6-6-10380	Limit Switch (LS4)	1	
43	TF-007	Micro Switch (LS5)	1	
44	T6-8-20522	Wire Ass'y (For LS4, LS5)	2	
45	WD25450300	Wire Duct 25x45x300	1	
46	T6-1-50680	Proximity Sensor (SFS, LS6)	2	
47	T7-6-11330	Control Wire For Sensor	2	
48	T7-6-11370	Jumper (Fuse Holder)	1	
49	T6-5-10301	Photo Eye (PH1, PH2)	2	
50	T7-6-10940	Terminal	25	
51	T6-8-21290	Transformer	1	
52	T6-8-21300	Transformer Cover	1	
56	PW04	PW, M6	4	
	PW04	PW, M6 (OPTION)	4	
57	HBS0616	HBS, M6x16	4	
58	PW06C	PW, M6 (C)	8	
59	SW06	SW, M6	4	
60	HN06	HN, M6	4	
61	HBS0608N	HBS, M6x8 (N)	8	
62	PMS0308	PMS, M3x8	12	
63	TMS0308	TMS, M3x8	8	
64	TMS0512	TMS, M5x12	2	
65	TMS0412	TMS, M4x12	3	

7

TRANSMISSION GROUP

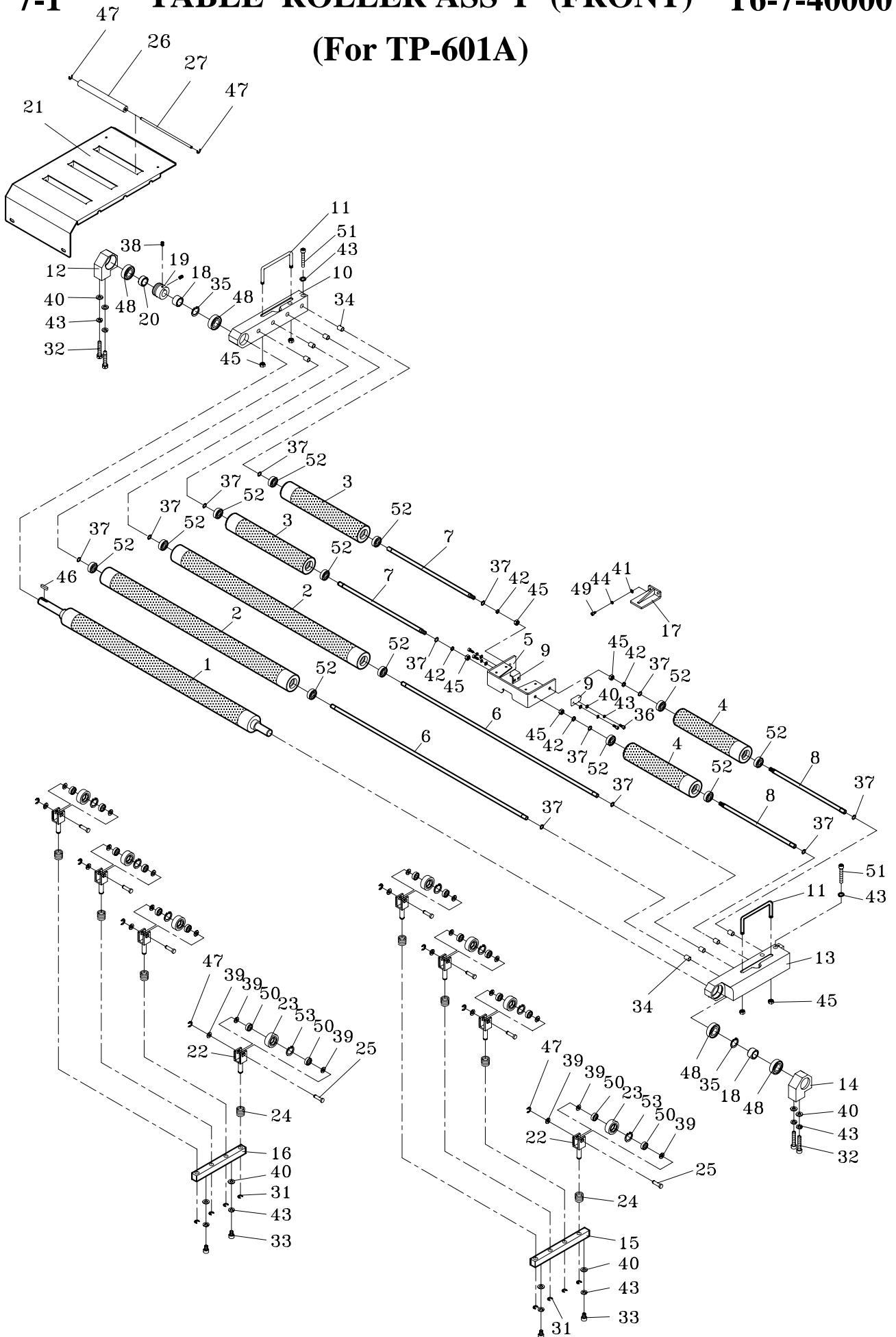
T6-7-90003

T6-7-90004



REF. NO.	PART NO.	DESCRIPTION	Q'TY	REMARKS
	T6-7-90003	Table Roller Ass'y (For TP-601A)	1	
	T6-7-90004	Table Belt Ass'y (For TP-601B/BP)	1	
1	T6-7-40000	Table Roller Ass'y (Front)(For TP-601A)	1	SEE PAGE 79
2	T6-7-40001	Table Roller Ass'y (Rear) (For TP-601A)	1	SEE PAGE 83
3	T6-7-50000	Table Belt Ass'y (Front) (For TP-601B/TP-601BP)	1	SEE PAGE 87
4	T6-7-50001	Table Belt Ass'y (Rear) (For TP-601B/TP-601BP)	1	SEE PAGE 91
5	T6-7-60000	Transmission Ass'y	1	SEE PAGE 95

7-1 TABLE ROLLER ASS'Y (FRONT) T6-7-40000 (For TP-601A)



7-1 TABLE ROLLER ASS'Y (FRONT) T6-7-40000
(For TP-601A)

REF. NO.	PART NO.	DESCRIPTION	Q'TY	REMARKS
1	T6-7-40110	Table Roller (For 850W)	1	
	T6-7-40110S	Table Roller (For 850W) (Stainless Steel Model)	1	
	T6-7-40111	Table Roller (For 1050,1250W)	1	
	T6-7-40111S	Table Roller (For 1050,1250W) (Stainless Steel Model)	1	
2	T6-7-40130	Table Roller (For 850W)	2	
	T6-7-40130S	Table Roller (For 850W) (Stainless Steel Model)	2	
	T6-7-40131	Table Roller (For 1050,1250W)	2	
	T6-7-40131S	Table Roller (For 1050,1250W) (Stainless Steel Model)	2	
3	T6-7-40140	Table Roller (For 850W)	2	
	T6-7-40140S	Table Roller (For 850W)(Stainless Steel Model)	2	
	T6-7-40141	Table Roller (For 1050,1250W)	2	
	T6-7-40141S	Table Roller (For 1050,1250W) (Stainless Steel Model)	2	
4	T6-7-40150	Table Roller	2	
	T6-7-40150S	Table Roller (Stainless Steel Model)	2	
5	T6-7-40160	Bracket	1	
	T6-7-40160S	Bracket (Stainless Steel Model)	1	
6	T6-7-40170	Shaft (For 850W)	2	
	T6-7-40170S	Shaft (For 850W)(Stainless Steel Model)	2	
	T6-7-40171	Shaft (For 1050,1250W)	2	
	T6-7-40171S	Shaft (For 1050,1250W)(Stainless Steel Model)	2	
7	T6-7-40180	Shaft (For 850W)	2	
	T6-7-40180S	Shaft (For 850W)(Stainless Steel Model)	2	
	T6-7-40181	Shaft (For 1050,1250W)	2	
	T6-7-40181S	Shaft (For 1050,1250W)(Stainless Steel Model)	2	
8	T6-7-40190	Shaft	2	
	T6-7-40190S	Shaft (Stainless Steel Model)	2	
9	T6-7-40210	Bracket	2	
	T6-7-40210S	Bracket (Stainless Steel Model)	2	
10	T6-7-40220	Support	1	
11	T6-7-40230	Table Handle	2	
	T6-7-40230S	Table Handle (Stainless Steel Model)	2	
12	T6-7-40260	Bracket	1	
13	T6-7-40270	Bracket	1	

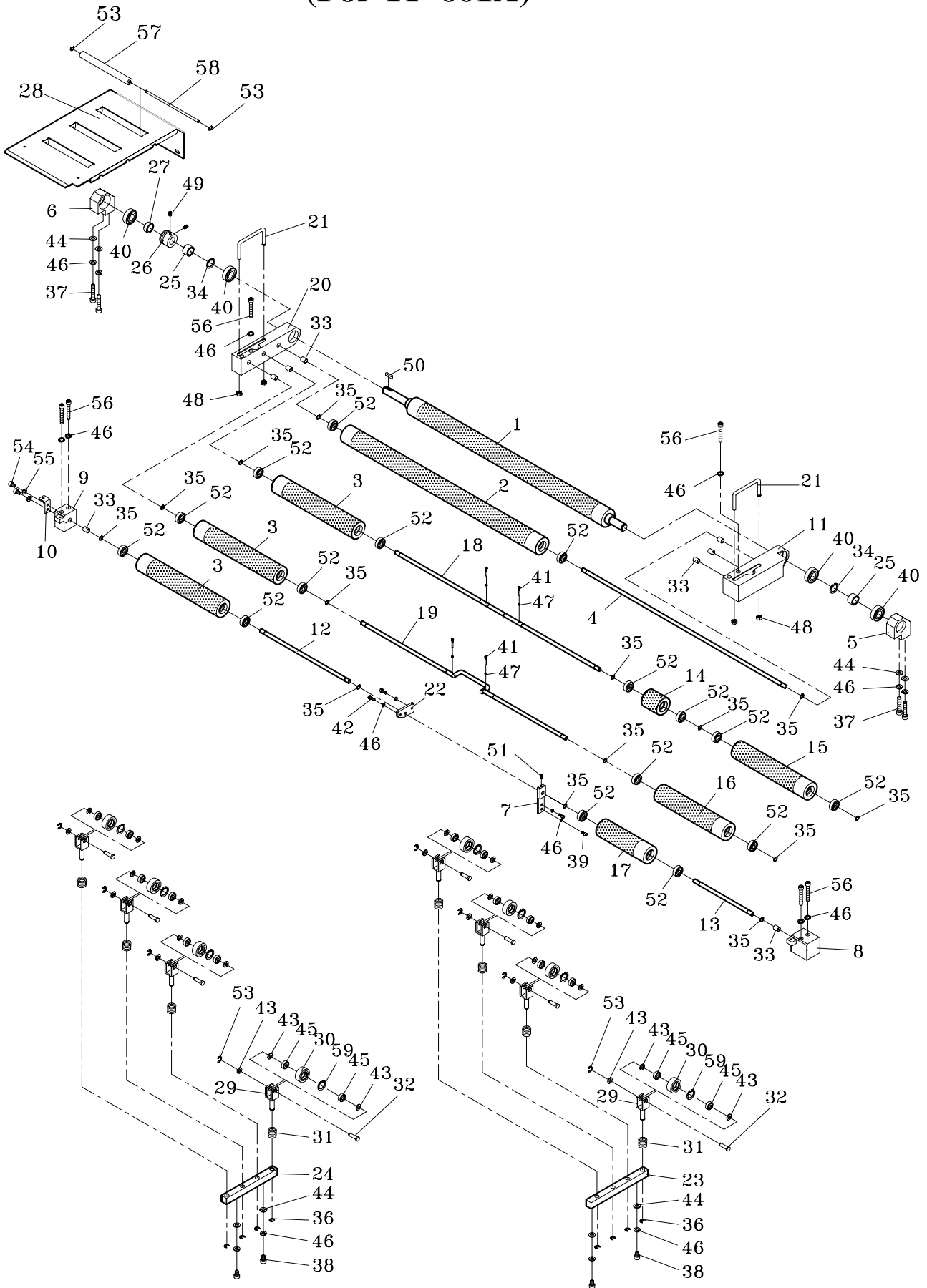
7-1 TABLE ROLLER ASS'Y (FRONT) T6-7-40000
(For TP-601A)

REF. NO.	PART NO.	DESCRIPTION	Q'TY	REMARKS
14	T6-7-40280	Bracket	1	
15	T6-7-40310	Bracket	1	
	T6-7-40310S	Bracket (Stainless Steel Model)	1	
16	T6-7-40330	Bracket	1	
	T6-7-40330S	Bracket (Stainless Steel Model)	1	
17	T6-7-40580	Support	1	
	T6-7-40580S	Support (Stainless Steel Model)	1	
18	T6-7-50520	Spacer	2	
	T6-7-50520S	Spacer (Stainless Steel Model)	2	
19	T6-7-50530	Pulley	1	
20	T6-7-50540	Spacer	1	
	T6-7-50540S	Spacer (Stainless Steel Model)	1	
21	T6-7-50740	Upper Table Front (For 1250W)	1	
	T6-7-50740S	Upper Table Front (For 1250W) (Stainless Steel Model)	1	
22	T6-7-70180	Plunger	8	
	T6-7-70180S	Plunger (Stainless Steel Model)	8	
23	T6-7-70190	Roller	8	
24	T6-7-70210	Spring	8	
	T6-7-70210S	Spring (Stainless Steel Model)	8	
25	T6-7-70270	Shaft	8	
	T6-7-70270S	Shaft (Stainless Steel Model)	8	
26	T6-5-11120	Table Roller (For 1250W)	3	
	T6-5-11121	Table Roller (For 1250W) (Stainless Steel Model)	3	
27	T6-5-11130	Table Roller Shaft (For 1250W)	3	
	T6-5-11131	Table Roller Shaft (For 1250W) (Stainless Steel Model)	3	
31	ER10	Snap Ring, E-10	8	
32	HBS0635	HBS, M6x35	4	
33	HBS0610	HBS, M6x10	4	
34	MB1015	Metal Bush, 1015	8	
35	RR42	Snap Ring, H-42	2	
36	HBS0616	HBS, M6x16	4	

7-1 TABLE ROLLER ASS'Y (FRONT) T6-7-40000
(For TP-601A)

REF. NO.	PART NO.	DESCRIPTION	Q'TY	REMARKS
37	SR10	Stop Ring, S-10	12	
38	HSS0506	HSS, M5x6	2	
39	PW08A	PW, M8 (A)	24	
40	PW06A	PW, M6 (A)	12	
41	PW05	PW, M5	2	
42	SW08	SW, M8	4	
43	SW06	SW, M6	16	
44	SW04	SW, M4	2	
45	HN08	HN, M8	8	
46	KYA060625	Key, 6x6x25	1	
47	ER07S	Snap Ring, E-7 (SUS)	8	
48	BR6004 2RS	Bearing, 6004 2RS	4	
49	HBS0512	HBS, M5x12	2	
50	BR608 2RS	Bearing, 608 2RS	16	
51	HBS0650	HBS, M6x50	4	
52	BR6200 2RS	Bearing, 6200 2RS	12	
53	RR22	Snap Ring, H-22	8	

7-2 TABLE ROLLER ASS'Y (REAR) T6-7-40001 (For TP-601A)



7-2 TABLE ROLLER ASS'Y (REAR) T6-7-40001
(For TP-601A)

REF. NO.	PART NO.	DESCRIPTION	Q'TY	REMARKS
1	T6-7-40110	Table Roller (For 850W)	1	
	T6-7-40110S	Table Roller (For 850W) (Stainless Steel Model)	1	
	T6-7-40111	Table Roller (For 1050W, 1250W)	1	
	T6-7-40111S	Table Roller (For 1050W, 1250W) (Stainless Steel Model)	1	
2	T6-7-40130	Table Roller (For 850W)	1	
	T6-7-40130S	Table Roller (For 850W) (Stainless Steel Model)	1	
	T6-7-40131	Table Roller (For 1050W, 1250W)	1	
	T6-7-40131S	Table Roller (For 1050W, 1250W) (Stainless Steel Model)	1	
3	T6-7-40140	Table Roller (For 850W)	3	
	T6-7-40140S	Table Roller (For 850W) (Stainless Steel Model)	3	
	T6-7-40141	Table Roller (For 1050W, 1250W)	3	
	T6-7-40141S	Table Roller (For 1050W, 1250W) (Stainless Steel Model)	3	
4	T6-7-40170	Shaft (For 850W)	1	
	T6-7-40170S	Shaft (For 850W) (Stainless Steel Model)	1	
	T6-7-40171	Shaft (For 1050W, 1250W)	1	
	T6-7-40171S	Shaft (For 1050W, 1250W) (Stainless Steel Model)	1	
5	T6-7-40260	Bracket	1	
6	T6-7-40280	Bracket	1	
7	T6-7-40350	Support	1	
	T6-7-40350S	Support (Stainless Steel Model)	1	
8	T6-7-40360	Bracket	1	
9	T6-7-40370	Bracket	1	
10	T6-7-40380	Support	1	
11	T6-7-40410	Bracket	1	
12	T6-7-40420	Shaft (For 850W)	1	
	T6-7-40420S	Shaft (For 850W) (Stainless Steel Model)	1	
	T6-7-40421	Shaft (For 1050W, 1250W)	1	
	T6-7-40421S	Shaft (For 1050W, 1250W) (Stainless Steel Model)	1	

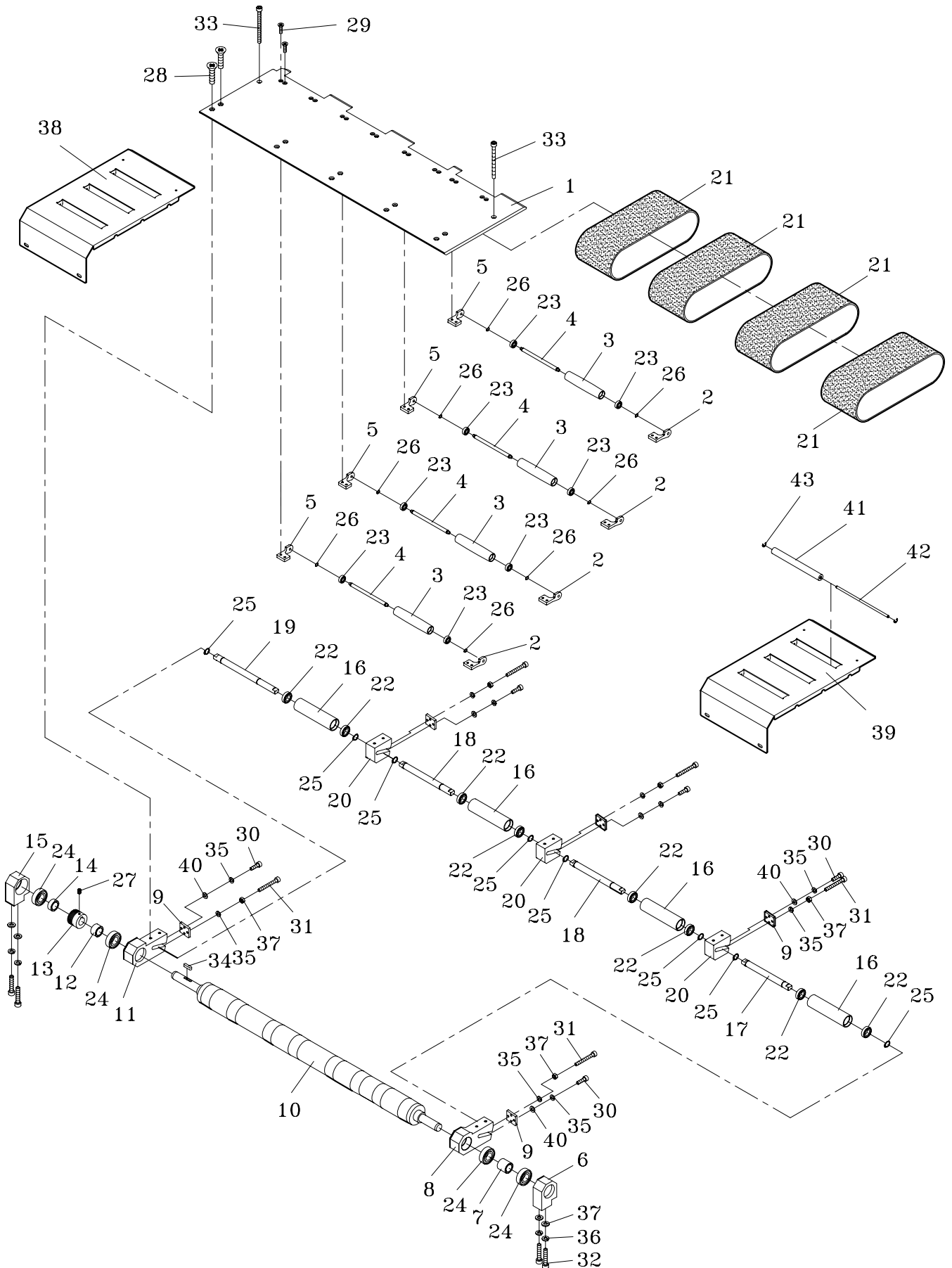
7-2 TABLE ROLLER ASS'Y (REAR) T6-7-40001
(For TP-601A)

REF. NO.	PART NO.	DESCRIPTION	Q'TY	REMARKS
13	T6-7-40430	Shaft	1	
	T6-7-40430S	Shaft (Stainless Steel Model)	1	
14	T6-7-40440	Table Roller	1	
	T6-7-40440S	Table Roller (Stainless Steel Model)	1	
15	T6-7-40450	Table Roller	1	
	T6-7-40450S	Table Roller (Stainless Steel Model)	1	
16	T6-7-40460	Table Roller	1	
	T6-7-40460S	Table Roller (Stainless Steel Model)	1	
17	T6-7-40470	Table Roller	1	
	T6-7-40470S	Table Roller (Stainless Steel Model)	1	
18	T6-7-40480	Shaft (For 850W)	1	
	T6-7-40480S	Shaft (For 850W) (Stainless Steel Model)	1	
	T6-7-40481	Shaft (For 1050W, 1250W)	1	
	T6-7-40481S	Shaft (For 1050W, 1250W) (Stainless Steel Model)	1	
19	T6-7-40490	Shaft (For 850W)	1	
	T6-7-40490S	Shaft (For 850W) (Stainless Steel Model)	1	
	T6-7-40491	Shaft (For 1050W)	1	
	T6-7-40491S	Shaft (For 1050W)(Stainless Steel Model)	1	
20	T6-7-40520	Bracket	1	
21	T6-7-40530	Table Handle	2	
	T6-7-40530S	Table Handle (Stainless Steel Model)	2	
22	T6-7-40540	Support	1	
	T6-7-40540S	Support (Stainless Steel Model)	1	
23	T6-7-40550	Bracket	1	
	T6-7-40550S	Bracket (Stainless Steel Model)	1	
24	T6-7-40560	Bracket	1	
	T6-7-40560S	Bracket (Stainless Steel Model)	1	
25	T6-7-50520	Spacer	2	
	T6-7-50520S	Spacer (Stainless Steel Model)	2	
26	T6-7-50530	Pulley	1	
27	T6-7-50540	Spacer	1	
	T6-7-50540S	Spacer (Stainless Steel Model)	1	
28	T6-7-50750	Upper Table Front (For 1250W)	1	
	T6-7-50750S	Upper Table Front (For 1250W) (Stainless Steel Model)	1	
29	T6-7-70180	Plunger	8	

7-2 TABLE ROLLER ASS'Y (REAR) T6-7-40001
(For TP-601A)

REF. NO.	PART NO.	DESCRIPTION	Q'TY	REMARKS
	T6-7-70180S	Plunger (Stainless Steel Model)	8	
30	T6-7-70190	Roller	8	
31	T6-7-70210	Spring	8	
	T6-7-70210S	Spring (Stainless Steel Model)	8	
32	T6-7-70270	Shaft	8	
	T6-7-70270S	Shaft (Stainless Steel Model)	8	
33	MB1015	Metal Bush, 1015	8	
34	RR42	Snap Ring, H-42	2	
35	SR10	Stop Ring, S-10	14	
36	ER10	Snap Ring, E-10	8	
37	HBS0635	HBS, M6x35	4	
38	HBS0610	HBS, M6x10	4	
39	HBS0616	HBS, M6x16	2	
40	BR6004 2RS	Bearing, 6004 2RS	4	
41	TMS0325	TMS, M3x25	4	
42	HB0616	HB, M6x16	2	
43	PW08A	PW, M8 (A)	24	
44	PW06A	PW, M6 (A)	8	
45	BR608 2RS	Bearing, 608 2RS	16	
46	SW06	SW, M6	20	
47	HN03	HN, M3	4	
48	HN08	HN, M8	4	
49	HSS0506	HSS, M5x6	2	
50	KYA060625	Key, 6x6x25	1	
51	HSS0508	HSS, M5x8	1	
52	BR6200 2RS	Bearing, 6200 2RS	16	
53	ER07S	Snap Ring, E-7 (SUS)	8	
54	HBS0510	HBS, M5x10	2	
55	SW05	SW, M5	2	
56	HBS0650	HBS, M6x50	8	
57	T6-5-11120	Table Roller (For 1250W)	3	
	T6-5-11121	Table Roller (For 1250W) (Stainless Steel Model)	3	
58	T6-5-11130	Table Roller Shaft (For 1250W)	3	
	T6-5-11131	Table Roller Shaft (For 1250W) (Stainless Steel Model)	3	
59	RR22	Snap Ring, H-22	8	

7-3 TABLE BELT ASS'Y, FRONT SET T6-7-50000 (For TP-601B, TP-601BP)



7-3 TABLE BELT ASS'Y, FRONT SET T6-7-50000 (For TP-601B, TP-601BP)

REF. NO.	PART NO.	DESCRIPTION	Q'TY	REMARKS
1	T6-7-50410	Upper Table Front (For 850W,1250W)	1	
	T6-7-50410S	Upper Table Front (For 850W,1250W) (Stainless Steel Model)	1	
	T6-7-50411	Upper Table Front (For 1050W)	1	
	T6-7-50411S	Upper Table Front (For 1050W) (Stainless Steel Model)	1	
2	T6-7-50420	Bracket	4	
3	T6-7-50430	Roller	4	
	T6-7-50430S	Roller (Stainless Steel Model)	4	
4	T6-7-50440	Shaft	4	
	T6-7-50440S	Shaft (Stainless Steel Model)	4	
5	T6-7-50450	Bracket	4	
6	T6-7-50461	Bracket	1	
7	T6-7-50471	Spacer	1	
	T6-7-50471S	Spacer (Stainless Steel Model)	1	
8	T6-7-50483	Bracket	1	
9	T6-7-50491	Cover	5	
	T6-7-50491S	Cover (Stainless Steel Model)	5	
10	T6-7-50500	Shaft (For 850W,1250W)	1	
	T6-7-50500S	Shaft (For 850W,1250W) (Stainless Steel Model)	1	
	T6-7-50501	Shaft (For 1050W)	1	
	T6-7-50501S	Shaft (For 1050W) (Stainless Steel Model)	1	
11	T6-7-50513	Bracket	1	
12	T6-7-50522	Spacer	1	
	T6-7-50522S	Spacer (Stainless Steel Model)	1	
13	T6-7-50530	Pulley	1	
14	T6-7-50541	Spacer	1	
	T6-7-50541S	Spacer (Stainless Steel Model)	1	
15	T6-7-50551	Bracket	1	
16	T6-7-50560	Roller	4	
	T6-7-50560S	Roller (Stainless Steel Model)	4	
17	T6-7-50570	Shaft	1	
	T6-7-50570S	Shaft (Stainless Steel Model)	1	
18	T6-7-50580	Shaft	2	
	T6-7-50580S	Shaft (Stainless Steel Model)	2	

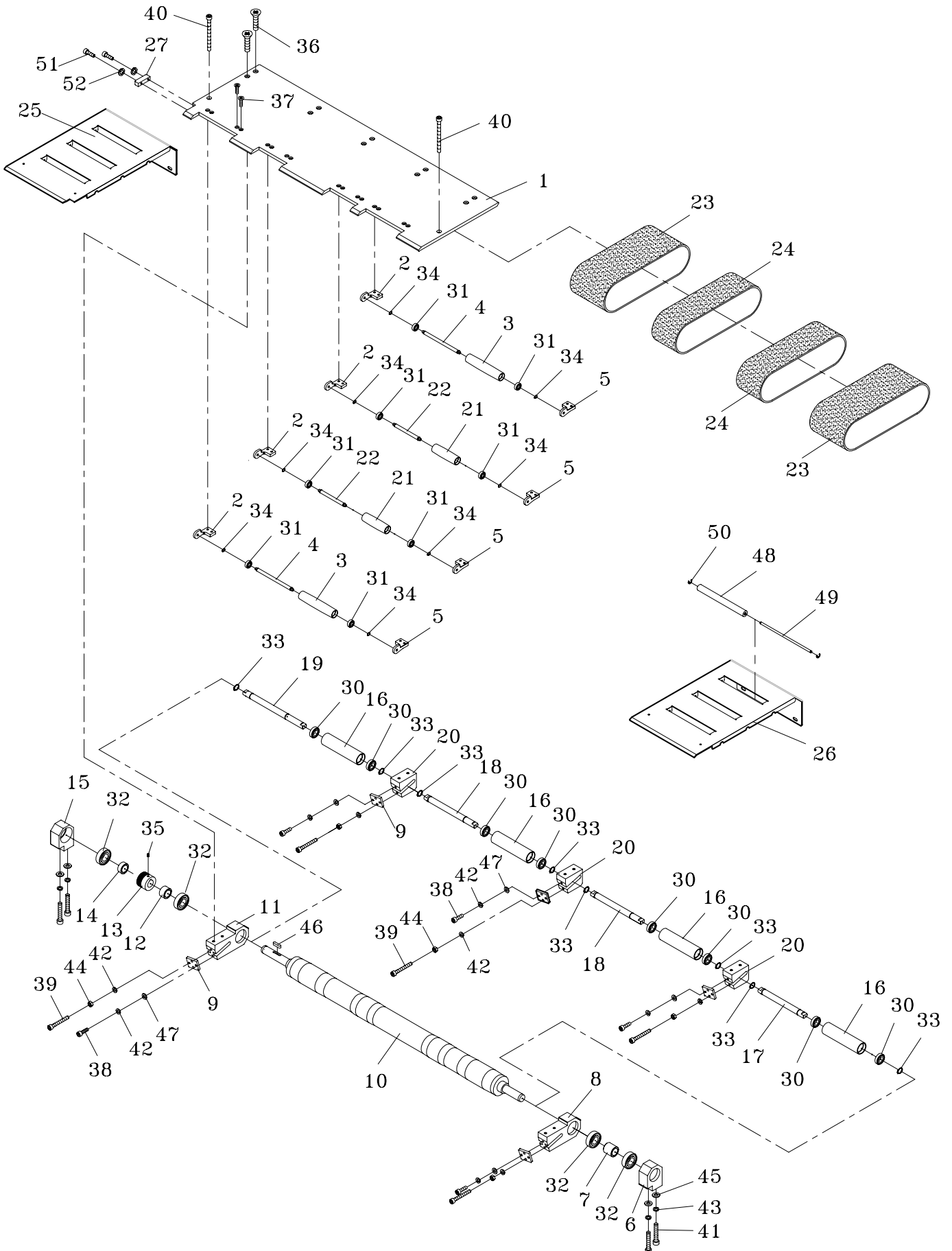
7-3 TABLE BELT ASS'Y, FRONT SET T6-7-50000
(For TP-601B, TP-601BP)

REF. NO.	PART NO.	DESCRIPTION	Q'TY	REMARKS
19	T6-7-50590	Shaft (For 850W,1250W)	1	
	T6-7-50590S	Shaft (For 850W,1250W) (Stainless Steel Model)	1	
	T6-7-50591	Shaft (For 1050W)	1	
	T6-7-50591S	Shaft (For 1050W) (Stainless Steel Model)	1	
20	T6-7-50601	Bracket	3	
21	T6-7-50610	Free Passage Conveyor Belt	4	
22	BR6902 2RS	Bearing, 6902 2RS	8	
23	BR698 2RS	Bearing, 698 2RS	8	
24	BR2204 2RS	Bearing, 2204 2RS	4	
25	SR15	Stop Ring, S-15	8	
26	SR8	Stop Ring, S-8	8	
27	HSS0506	HSS, M5x6	1	
28	FMS0620	FMS, M6x20	10	
	FMS0620S	FMS, M6x20 (Stainless Steel Model)	10	
29	FMS0516	FMS, M5x16	16	
	FMS0516S	FMS, M5x16 (Stainless Steel Model)	16	
30	HBS0512	HBS, M5x12	20	
	HBS0512S	HBS, M5x12 (Stainless Steel Model)	20	
31	HBS0540	HBS, M5x40	8	
	HBS0540S	HBS, M5x40 (Stainless Steel Model)	8	
32	HBS0635	HBS, M6x35	4	
	HBS0635S	HBS, M6x35 (Stainless Steel Model)	4	
33	HBS0665H	HBS, M6x65 (H)	2	
	HBS0665HS	HBS, M6x65 (H) (Stainless Steel Model)	2	
34	KYA060625	Key, 6x6x25	1	
35	SW05	SW, M5	20	
	SW05S	SW, M5 (Stainless Steel Model)	20	
36	SW06	SW, M6	4	
	SW06S	SW, M6 (Stainless Steel Model)	4	
37	PW06C	PW, M6 (C)	4	
	PW06CS	PW, M6 (C) (Stainless Steel Model)	4	
38	T6-7-50740	Upper Table Front (For 1250W)	1	
	T6-7-50740S	Upper Table Front (For 1250W) (Stainless Steel Model)	1	
39	T6-7-50730	Upper Table Rear (For 1250W)	1	
	T6-7-50730S	Upper Table Rear (For 1250W) (Stainless Steel Model)	1	

7-3 TABLE BELT ASS'Y, FRONT SET T6-7-50000
(For TP-601B, TP-601BP)

REF. NO.	PART NO.	DESCRIPTION	Q'TY	REMARKS
40	PW05	PW, M5	20	
	PW05S	PW, M5	20	
41	T6-5-11120	Table Roller (For 1250W)	6	
	T6-5-11121	Table Roller (For 1250W) (Stainless Steel Model)	6	
42	T6-5-11130	Table Roller Shaft (For 1250W)	6	
	T6-5-11131	Table Roller Shaft (For 1250W) (Stainless Steel Model)	6	
43	ER07S	Snap Ring, E-7 (For 1250W) (SUS)	12	

7-4 TABLE BELT ASS'Y, REAR SET T6-7-50001 (For TP-601B, TP-601BP)



7-4 TABLE BELT ASS'Y, REAR SET T6-7-50001
(For TP-601B, TP-601BP)

REF. NO.	PART NO.	DESCRIPTION	Q'TY	REMARKS
1	T6-7-50112	Upper Table Rear (850W, 1250W)	1	
	T6-7-50113	Upper Table Rear (For 1050W)	1	
2	T6-7-50420	Bracket	4	
3	T6-7-50430	Roller	2	
4	T6-7-50440	Shaft	2	
	T6-7-50440S	Shaft (Stainless Steel Model)	2	
5	T6-7-50450	Bracket	4	
6	T6-7-50461	Bracket	1	
7	T6-7-50471	Spacer	1	
	T6-7-50471S	Spacer (Stainless Steel Model)	1	
8	T6-7-50483	Bracket	1	
9	T6-7-50491	Cover	5	
	T6-7-50491S	Cover (Stainless Steel Model)	5	
10	T6-7-50400	Shaft (For 850W,1250W)	1	
	T6-7-50400S	Shaft (For 850W,1250W) (Stainless Steel Model)	1	
	T6-7-50401	Shaft (For 1050W)	1	
	T6-7-50401S	Shaft (For 1050W) (Stainless Steel Model)	1	
11	T6-7-50513	Bracket	1	
12	T6-7-50522	Spacer	1	
	T6-7-50522S	Spacer (Stainless Steel Model)	1	
13	T6-7-50530	Pulley	1	
14	T6-7-50541	Spacer	1	
	T6-7-50541S	Spacer (Stainless Steel Model)	1	
15	T6-7-50551	Bracket	1	
16	T6-7-50560	Roller	4	
17	T6-7-50570	Shaft	1	
	T6-7-50570S	Shaft (Stainless Steel Model)	1	
18	T6-7-50580	Shaft	2	
	T6-7-50580S	Shaft (Stainless Steel Model)	2	
19	T6-7-50590	Shaft (For 850W,1250W)	1	
	T6-7-50590S	Shaft (For 850W,1250W) (Stainless Steel Model)	1	
	T6-7-50591	Shaft (For 1050W)	1	
	T6-7-50591S	Shaft (For 1050W) (Stainless Steel Model)	1	

7-4 TABLE BELT ASS'Y, REAR SET T6-7-50001
(For TP-601B, TP-601BP)

REF. NO.	PART NO.	DESCRIPTION	Q'TY	REMARKS
20	T6-7-50601	Bracket	3	
21	T6-7-50710	Roller	2	
	T6-7-50710S	Roller (Stainless Steel Model)	2	
22	T6-7-50720	Shaft	2	
	T6-7-50720S	Shaft (Stainless Steel Model)	2	
23	T6-7-50610	Free passage conveyor Belt	2	
24	T6-7-50340	Free passage conveyor Belt	2	
25	T6-7-50750	Upper Table Front (For 1250W)	1	
	T6-7-50750S	Upper Table Front (For 1250W) (Stainless Steel Model)	1	
26	T6-7-50730	Upper Table Rear (For 1250W)	1	
	T6-7-50730S	Upper Table Rear (For 1250W) (Stainless Steel Model)	1	
27	T6-7-50120	Bracket (For TP-601B)	1	
	T6-7-50120S	Bracket (For TP-601B) (Stainless Steel Model)	1	
30	BR6902 2RS	Bearing, 6902 2RS	8	
31	BR698 2RS	Bearing, 698 2RS	8	
32	BR2204 2RS	Bearing, 2204 2RS	4	
33	SR15	Stop Ring, S-15	8	
34	SR8	Stop Ring, S-8	8	
35	HSS0506	HSS, M5x6	1	
36	FMS0620	FMS, M6x20	10	
	FMS0620S	FMS, M6x20 (Stainless Steel Model)	10	
37	FMS0516	FMS, M5x16	16	
38	HBS0516	HBS, M5x16	20	
	HBS0516S	HBS, M5x16 (Stainless Steel Model)	20	
39	HBS0540	HBS, M5x40	8	
	HBS0540S	HBS, M5x40 (Stainless Steel Model)	8	
40	HBS0665H	HBS, M6x65 (H)	2	
	HBS0665SH	HBS, M6x65 (Stainless Steel Model) (H)	2	
41	HBS0635	HBS, M6x35	4	
	HBS0635S	HBS, M6x35 (Stainless Steel Model)	4	
42	SW05	SW, M5	20	
	SW05S	SW, M5 (Stainless Steel Model)	20	

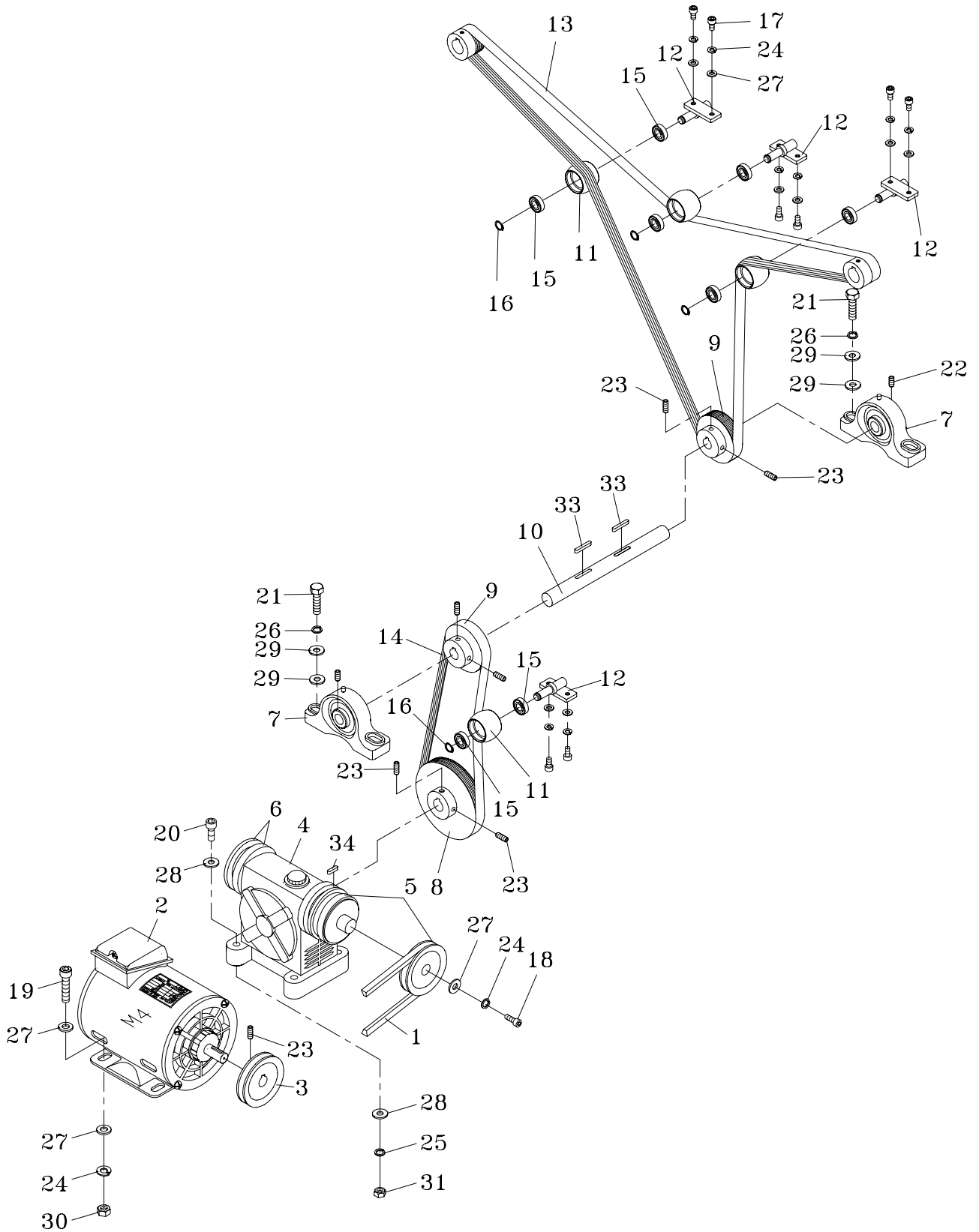
7-4 TABLE BELT ASS'Y, REAR SET T6-7-50001
(For TP-601B, TP-601BP)

REF. NO.	PART NO.	DESCRIPTION	Q'TY	REMARKS
43	SW06	SW, M6	4	
	SW06S	SW, M6 (Stainless Steel Model)	4	
44	HN05	HN, M5	8	
	HN05S	HN, M5 (Stainless Steel Model)	8	
45	PW06C	PW, M6 (C)	4	
46	KYA060625	Key, 6x6x25	1	
47	PW05	PW, M5	20	
	PW05S	PW, M5 (Stainless Steel Model)	20	
48	T6-5-11120	Table Roller (For 1250W)	6	
	T6-5-11121	Table Roller (For 1250W) (Stainless Steel Model)	6	
49	T6-5-11130	Table Roller Shaft (For 1250W)	6	
	T6-5-11131	Table Roller Shaft (SUS) (For 1250W)	6	
50	ER07S	Snap Ring, E-7 (For 1250W) (SUS)	12	
51	HBS0416	HBS, M4x16 (For TP-601B)	2	
	HBS0416S	HBS, M4x16 (For TP-601B) (Stainless Steel Model)	2	
52	SW04	SW, M4	2	

7-5

TRANSMISSION ASS'Y

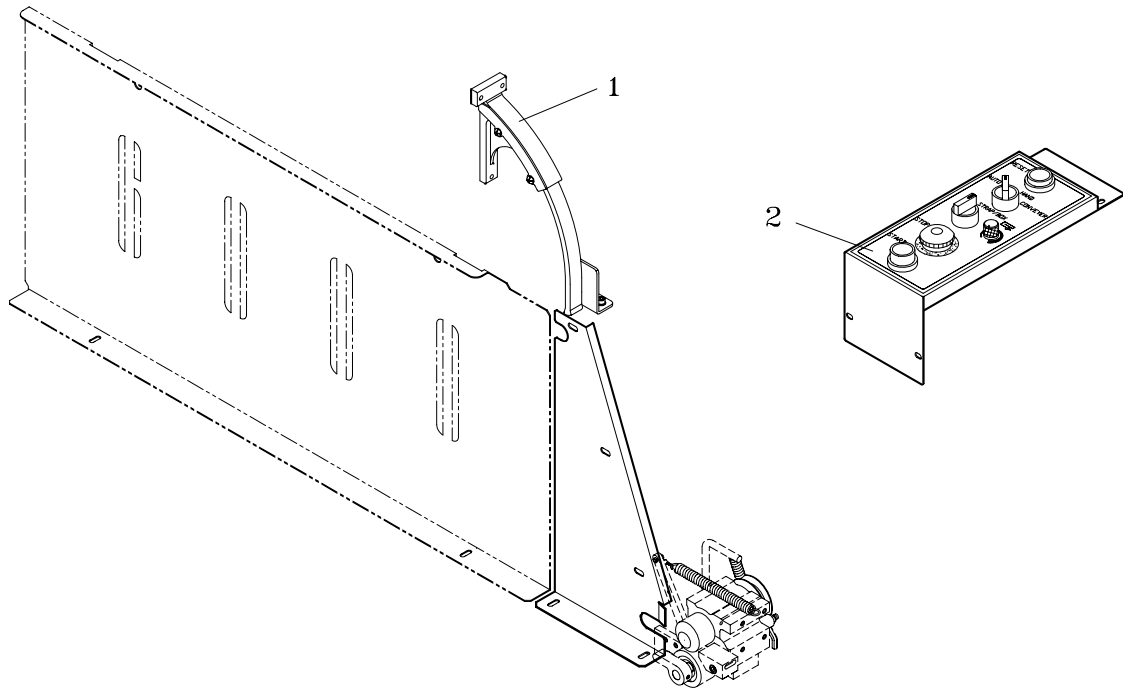
T6-7-60000



7-5**TRANSMISSION ASS'Y****T6-7-60000**

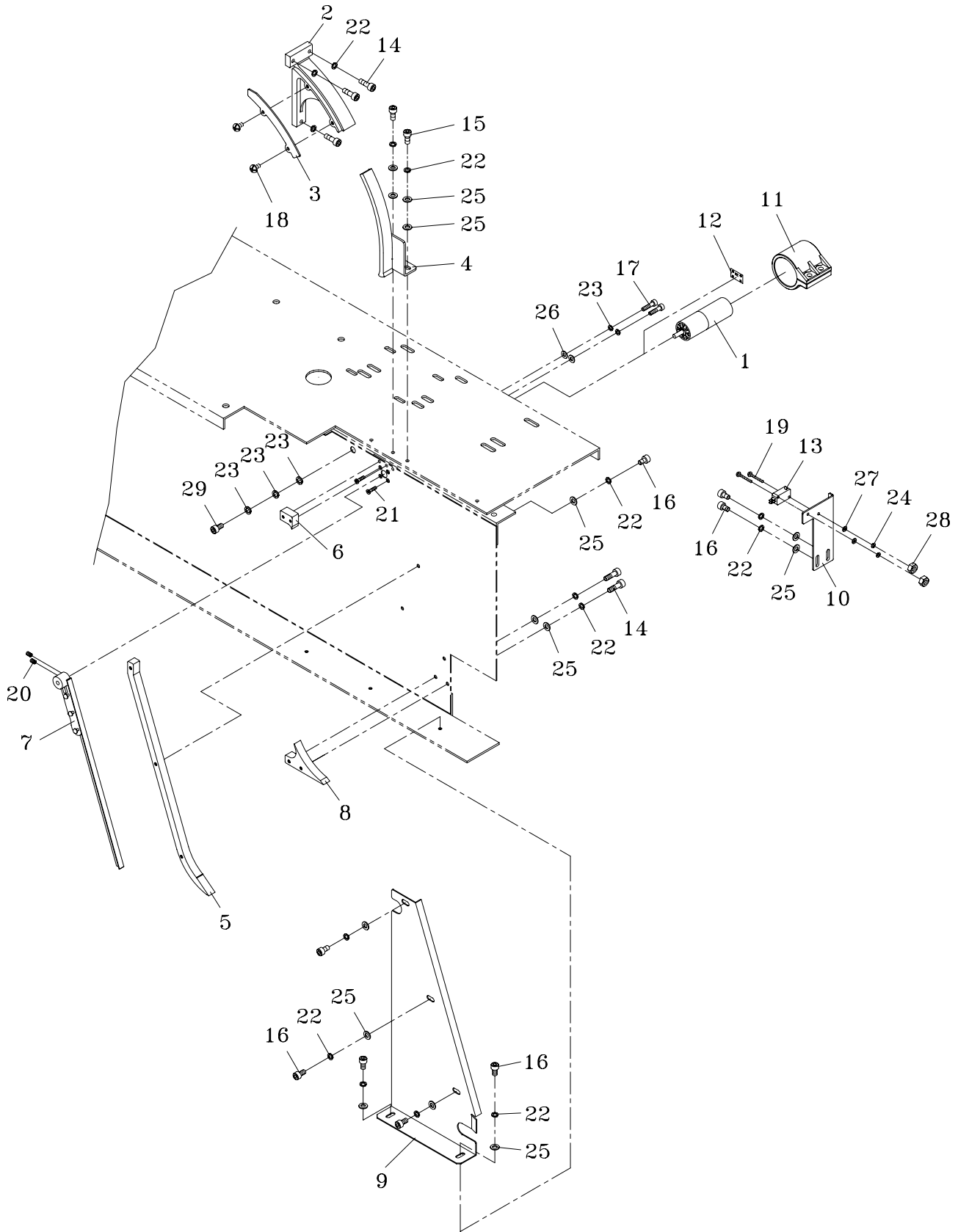
REF. NO.	PART NO.	DESCRIPTION	Q'TY	REMARKS
1	T6-1-10200	V-Belt (A26)	1	
2	T6-6-10442	Motor (For M4, 220V)	1	
3	T6-6-30002	Motor (M1) Pulley (For 1Phase)	1	
4	T6-7-20140	Gear Box	1	
5	T6-7-20150	Clutch Set	1	
6	T6-7-20160	Brake Set	1	
7	T6-7-20180	Bearing Set	2	
8	T6-7-60110	Pulley	1	
9	T6-7-60190	Pulley	2	
10	T6-7-60200	Shaft	1	
	T6-7-60200S	Shaft (Stainless Steel Model)	1	
11	T6-7-60211	Tension Pulley	4	
12	T6-7-60220	Tension Pulley Bracket	4	
	T6-7-60220S	Tension Pulley Bracket (Stainless Steel Model)	4	
13	T6-7-60230	Belt (For TP-601B)	1	
	T6-7-60231	Belt (For TP-601A)	1	
14	T6-7-60240	Belt	1	
15	BR6900ZZ	Bearing, 6900ZZ	8	
16	SR10	Stop Ring, S-10	4	
17	HBS0612	HBS, M6x12	8	
18	HBS0615	HBS, M6x15	1	
19	HBS0620	HBS, M6x20	4	
20	HBS0840	HBS, M8x40	4	
21	HB1035	HB, M10x35	4	
22	HSS0608	HSS, M6x8	2	
23	HSS0610	HSS, M6x10	7	
24	SW06	SW, M6	13	
25	SW08	SW, M8	4	
26	SW10	SW, M10	4	
27	PW06C	PW, M6 (C)	17	
28	PW08C	PW, M8 (C)	8	
29	PW10	PW, M10	8	
30	HN06	HN, M6	4	
31	HN08	HN, M8	4	
32	HN10	HN, M10	4	
33	KYA050530	Key, 5x5x30	2	
34	KYA050535	Key, 5x5x35	1	

8

AUTO STRAP FEEDING UNIT**T6-8-90003****T6-8-90004**

REF. NO.	PART NO.	DESCRIPTION	Q'TY	REMARKS
1	T6-8-90003	Auto Strap Feeding Unit (For 9mm)	1	
	T6-8-90004	Auto Strap Feeding Unit (For 12mm)	1	
	T6-8-10000	Auto Strap Feeding Group (For 9mm)	1	SEE PAGE 98
	T6-8-10001	Auto Strap Feeding Group (For 12mm)	1	SEE PAGE 98
2	T6-8-50001	Electric Group	1	SEE PAGE 101

8-1 AUTO STRAP FEEDING GROUP T6-8-10000 T6-8-10001



8-1 AUTO STRAP FEEDING GROUP T6-8-10000
T6-8-10001

REF. NO.	PART NO.	DESCRIPTION	Q'TY	REMARKS
	T6-8-10000	Auto Strap Feeding Group (For 9mm)	1	
	T6-8-10001	Auto Strap Feeding Group (For 12mm)	1	
1	T6-1-61210	Motor (M5)	1	
2	T6-8-10110	Feed Unit Guide	1	
3	T6-8-10120	Guide Cover	1	
4	T6-8-10130	Feed Shooter	1	
5	T6-8-10140	Strap Guide (For 12mm)	1	
	T6-8-10141	Strap Guide (For 9mm)	1	
6	T6-8-10150	Strap Guide (For 12mm)	1	
	T6-8-10151	Strap Guide (For 9mm)	1	
7	T6-8-10160	Control Lever (For 12mm)	1	
	T6-8-10161	Control Lever (For 9mm)	1	
8	T6-8-10180	Strap Guide (For 12mm)	1	
	T6-8-10181	Strap Guide (For 9mm)	1	
9	T6-8-10190	Accumulator Cover	1	
	T6-8-10190S	Accumulator Cover (Stainless Steel Model)	1	
10	T6-8-10210	Bracket	1	
	T6-8-10210S	Bracket (Stainless Steel Model)	1	
11	T6-8-10410	Motor Cover	1	
12	T7-3-10720	Panel	1	
13	TF-007	Micro Switch	1	
14	HBS0516	HBS, M5x16	5	
15	HBS0510	HBS, M5x10	2	
16	HBS0508	HBS, M5x8	10	
	HBS0508S	HBS, M5x8 (Stainless Steel Model)	10	
17	HBS0416	HBS, M4x16	2	
18	TMS0508	TMS, M5x8	2	
19	PMS0320	PMS, M3x20	2	
20	HSS0406	HSS, M4x6	2	
21	FMS0310	FMS, M3x10	4	
22	SW05	SW, M5	17	
	SW05S	SW, M5 (Stainless Steel Model)	17	
23	SW04	SW, M4	5	
24	SW03	SW, M3	2	
25	PW05	PW, M5	16	
	PW05S	PW, M5 (Stainless Steel Model)	16	
26	PW04	PW, M4	2	

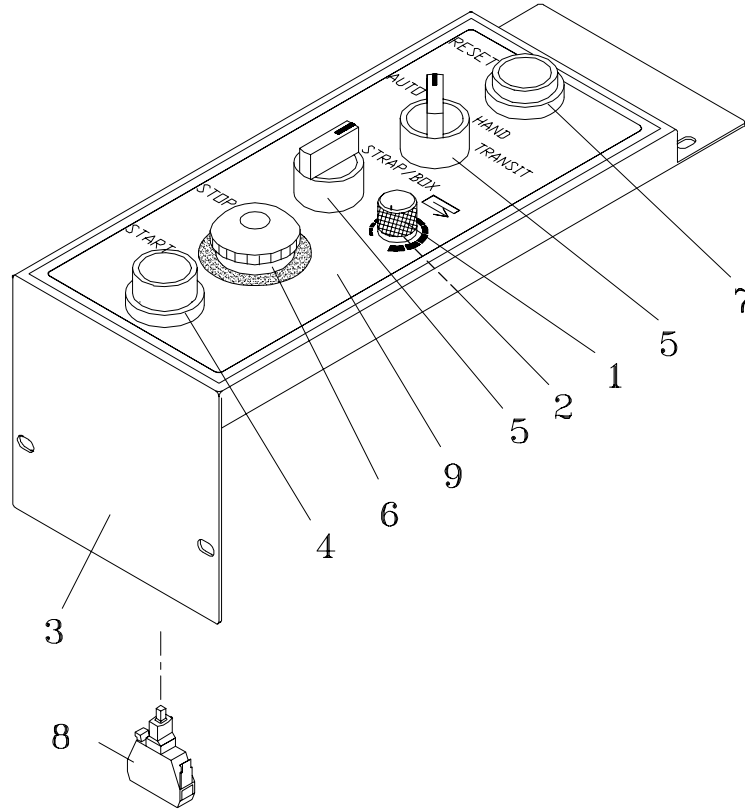
8-1 AUTO STRAP FEEDING GROUP**T6-8-10000****T6-8-10001**

REF. NO.	PART NO.	DESCRIPTION	Q'TY	REMARKS
27	PW03	PW, M3	2	
28	HN03	HN, M3	2	
29	HBS0408	HBS, M4x8	1	

8-5

ELECTRIC GROUP

T6-8-50001

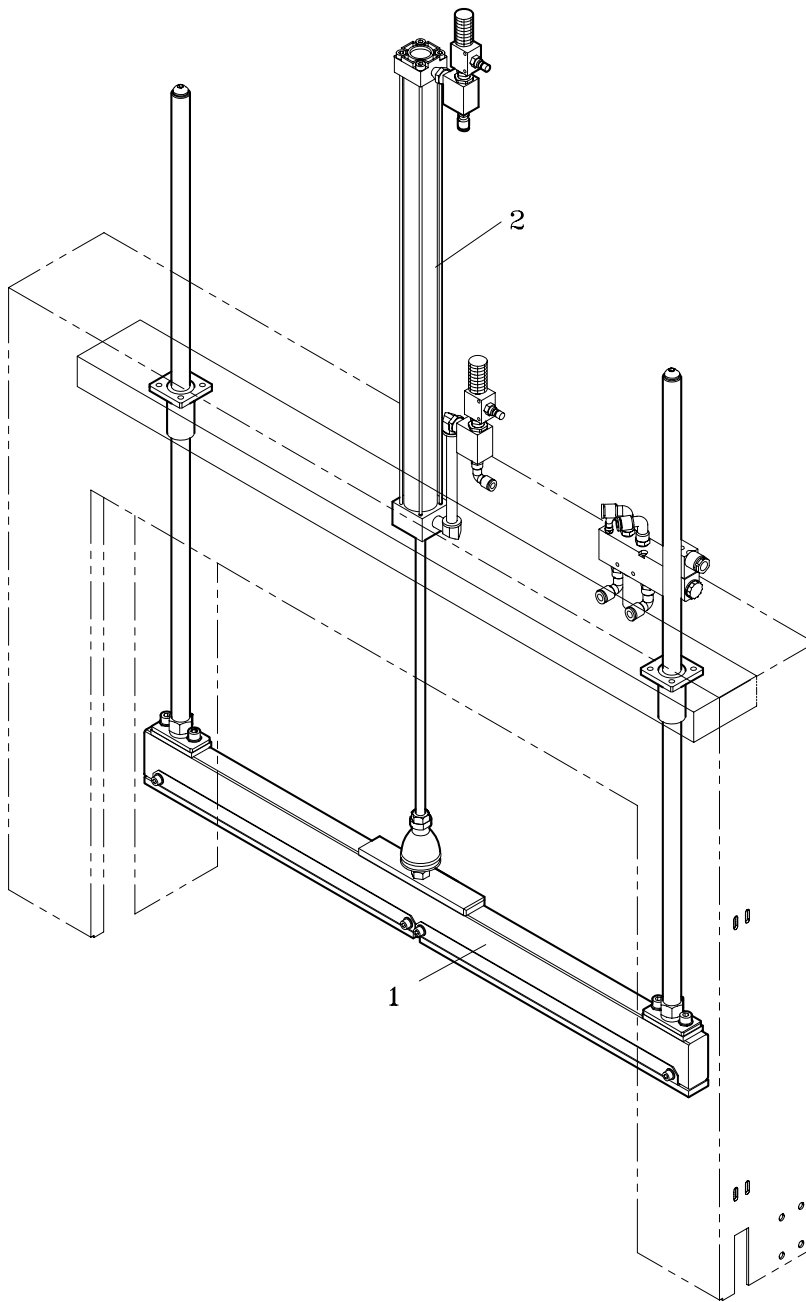


REF. NO.	PART NO.	DESCRIPTION	Q'TY	REMARKS
1	T5-4-10221	Knob (§ 3.0)	1	
	T5-4-10222	Knob (§ 6.0)	1	
2	T5-4-10231	Variable Resistor (5K) (§ 3.0)	1	
	T5-4-10232	Variable Resistor (5K) (§ 6.0)	1	
3	T6-5-50242	Control Plate	1	
	T6-5-50242S	Control Plate (Stainless Steel Model)	1	
4	T6-6-10301	Start Switch	1	
5	T6-6-10570	Selector Switch	2	
6	T6-6-30009	Stop Switch	1	
7	T6-6-40015	Reset Switch	1	
8	T6-8-40180	Lamp	1	
9	T6-8-50161	Control Panel	1	

9

PNEUMATIC UNIT (For TP-601BP)

T6-9-90001

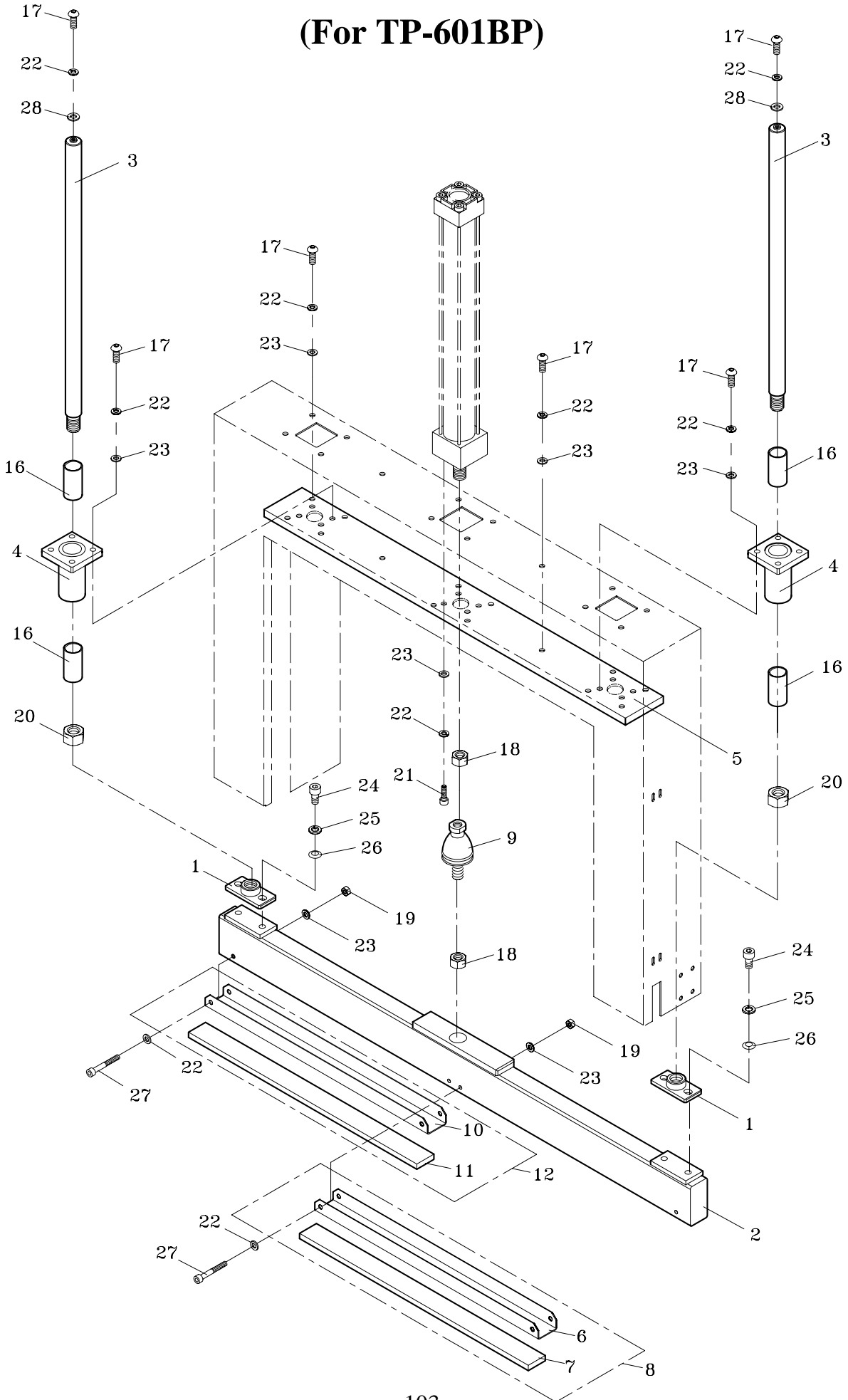


REF. NO.	PART NO.	DESCRIPTION	Q'TY	REMARKS
1	T6-9-50000	PRESS BAR	1	SEE PAGE 103
2	T6-9-60000	PNEUMATIC PARTS (For 400H)	1	SEE PAGE 106
	T6-9-60001	PNEUMATIC PARTS (For 600H)	1	SEE PAGE 106
	T6-9-60002	PNEUMATIC PARTS (For 800H)	1	SEE PAGE 106
	T6-9-60003	PNEUMATIC PARTS (For 1000H)	1	SEE PAGE 106

9-1

PRESS BAR (For TP-601BP)

T6-9-50000



9-1**PRESS BAR
(For TP-601BP)****T6-9-50000**

REF. NO.	PART NO.	DESCRIPTION	Q'TY	REMARKS
1	T6-9-50030	Bracket	2	
	T6-9-50030S	Bracket (Stainless Steel Model)	2	
2	T6-9-50070	Press Bar (For 850W)	1	
	T6-9-50071	Press Bar (For 1050W)	1	
	T6-9-50072	Press Bar (For 1250W)	1	
3	T6-9-50080	Shaft (For 600H)	2	
	T6-9-50080S	Shaft (For 600H) (Stainless Steel Model)	2	
	T6-9-50081	Shaft (For 800H)	2	
	T6-9-50081S	Shaft (For 800H)(Stainless Steel Model)	2	
	T6-9-50082	Shaft (For 1000H)	2	
	T6-9-50082S	Shaft (For 1000H)(Stainless Steel Model)	2	
	T6-9-50083	Shaft (For 400H)	2	
	T6-9-50083S	Shaft (For 400H)(Stainless Steel Model)	2	
4	T6-9-50090	Bracket	2	
	T6-9-50090S	Bracket (Stainless Steel Model)	2	
5	T6-9-50100	Cylinder Bracket	1	
	T6-9-50100S	Cylinder Bracket (Stainless Steel Model)	1	
6	T6-9-50110	Press Bar Absorber Plate (For 850W)	2	
		Press Bar Absorber Plate (For 1250W)	3	
7	T6-9-50120	Press Bar Absorber (For 850W)	2	
		Press Bar Absorber (For 1250W)	3	
8	T6-9-50130	Press Bar Absorber Ass'y (For 850W)	2	
		Press Bar Absorber Ass'y (For 1250W)	3	
9	T6-9-50140	Swivel Joint	1	
10	T7-8-10390	Press Bar Absorber Plate (For 1050W)	2	
11	T7-8-10400	Press Bar Absorber (For 1050W)	2	
12	T7-8-10430	Press Bar Absorber Ass'y (For 1050W)	2	
16	MB2030	Metal Bush, 2030	4	
17	THS0616N	THS, M6x16 (N)	24	
18	HN12	HN, M12	2	
19	HN06	HN, M6	4	
20	HN16	HN, M16	2	
21	HBS0620	HBS, M6x20	4	
22	PW06A	PW, M6 (A)	32	

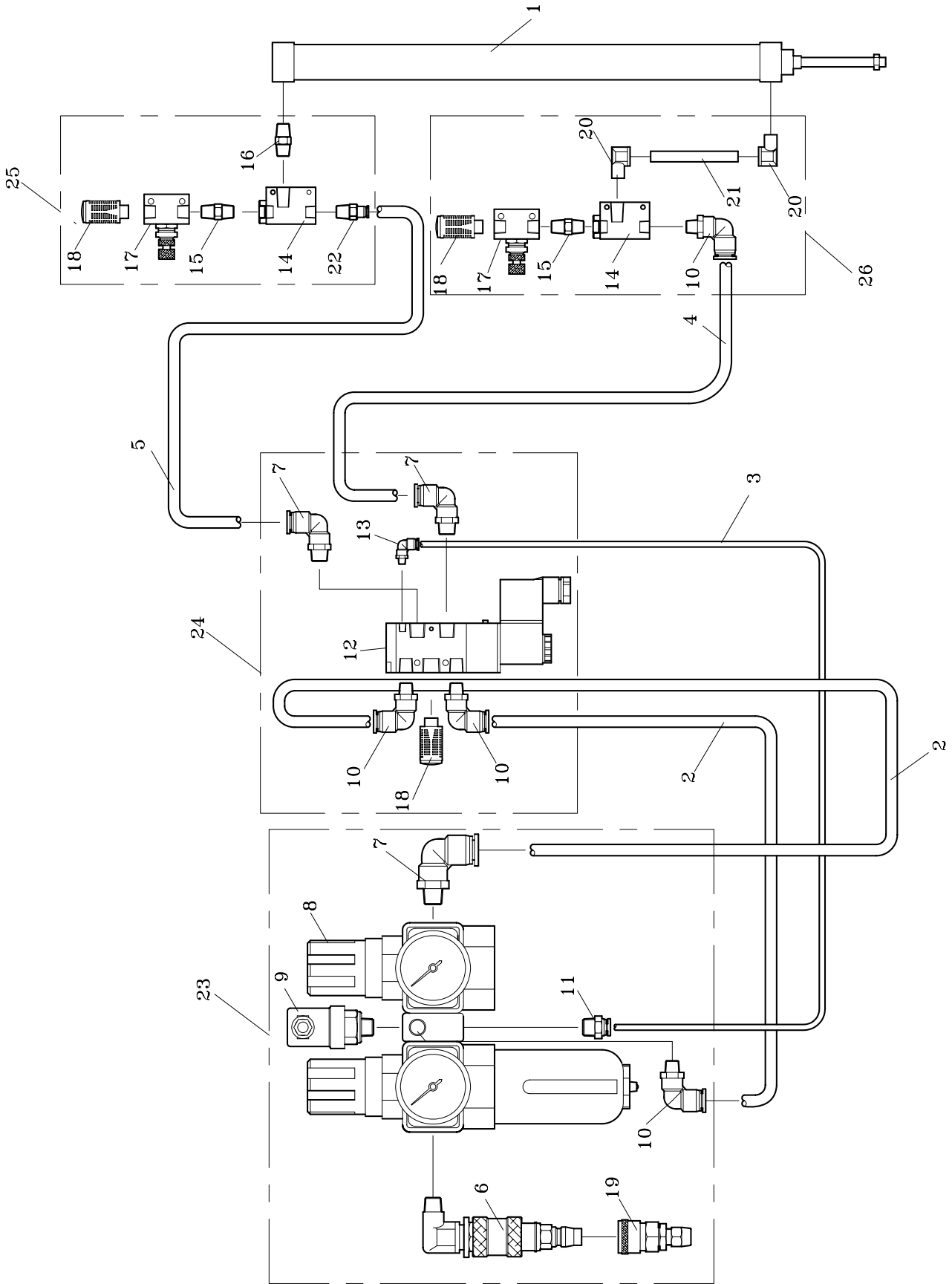
9-1**PRESS BAR
(For TP-601BP)****T6-9-50000**

REF. NO.	PART NO.	DESCRIPTION	Q'TY	REMARKS
23	SW06	SW, M6	28	
24	HBS0816	HBS, M8x16	5	
25	PW08A	PW, M8 (A)	5	
26	SW08	SW, M8	5	
27	HBS0640	HBS, M6x40	4	
28	PW10	PW, M10	2	

9-2

PNEUMATIC PARTS
(For TP-601BP)

T6-9-60000



9-2

**PNEUMATIC PARTS
(For TP-601BP)**

T6-9-60000

REF. NO.	PART NO.	DESCRIPTION	Q'TY	REMARKS
1	T6-9-50060	Cylinder (For 600H)	1	
	T6-9-50061	Cylinder (For 800H)	1	
	T6-9-50062	Cylinder (For 1000H)	1	
	T6-9-50063	Cylinder (For 400H)	1	
2	PU081830	PU Tubing, (For 850Wx600H)	2	
3	PU041900	PU Tubing, (For 850Wx600H)	1	
4	PU080190	PU Tubing, (For 850x600H)	1	
5	PU080800	PU Tubing, (For 850x600H)	1	
6	T6-9-60040	Quick Coupler (Male), 1/4" Ass'y	1	
7	T7-8-30160	Tube Fitting-Elbow, $\text{\textcircled{S}}$ 8-38"	3	
8	T7-8-30170	Air F.R.R Units	1	
9	T7-8-30180	Pressure Switch	1	
10	T7-8-30190	Tube Fitting-Elbow, $\text{\textcircled{S}}$ 8-1/4"	4	
11	T7-8-30200	Tube Fitting-Straight, $\text{\textcircled{S}}$ 4-1/4"	1	
12	T7-8-30261	Solenoid Valve	1	
13	T7-8-30270	Tube Fitting-Elbow, $\text{\textcircled{S}}$ 4-M5	1	
14	T7-8-30321	Quick Exhaust Valve	2	
15	T7-8-30331	Tube Fitting-Straight, 3/8"-3/8'	2	
16	T7-8-30332	Tube Fitting-Straight, 1/4"x1/4'	1	
17	T7-8-30341	Control Valve, 3/8"	2	
18	T7-8-30351	Resin Silencer, 3/8"	3	
19	T7-8-30370	Quick Coupler (Female), 6.5x10	1	
20	T7-8-30501	Tube Fitting-Elbow, 1/4"	2	
21	T7-8-30510	Tube Fitting-Straight, 1/4x2'	1	
22	T7-8-30520	Tube Fitting	1	
23	T7-8-30610	Air F.R.R Units Ass'y	1	
24	T7-8-30620	Solenoid Valve Ass'y	1	
25	T7-8-30630	Control Valve Ass'y	1	
26	T7-8-30640	Control Valve Ass'y	1	