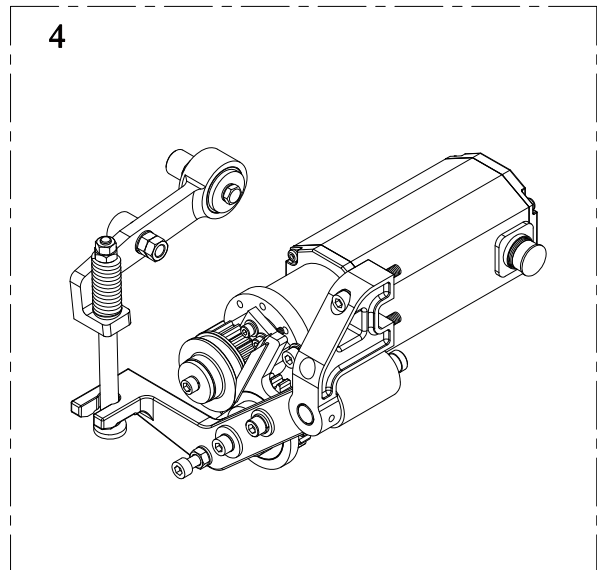
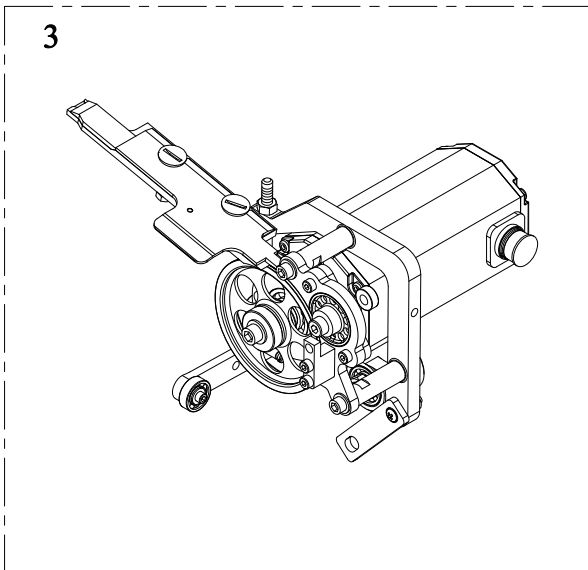
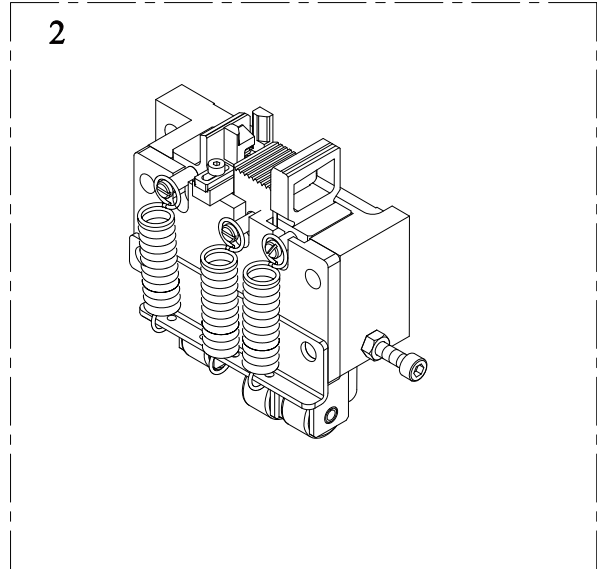
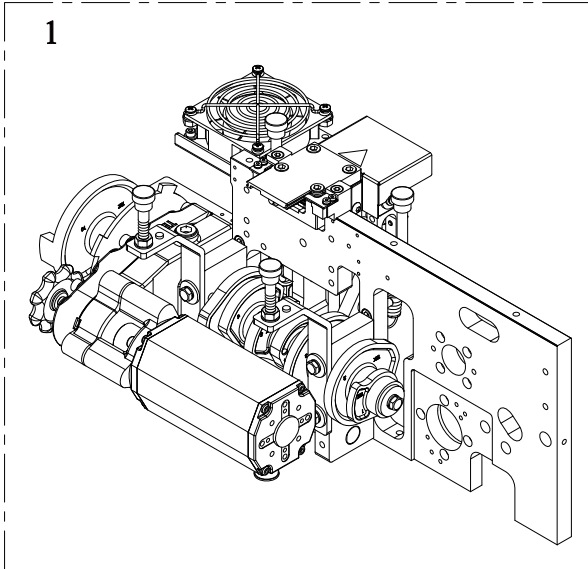
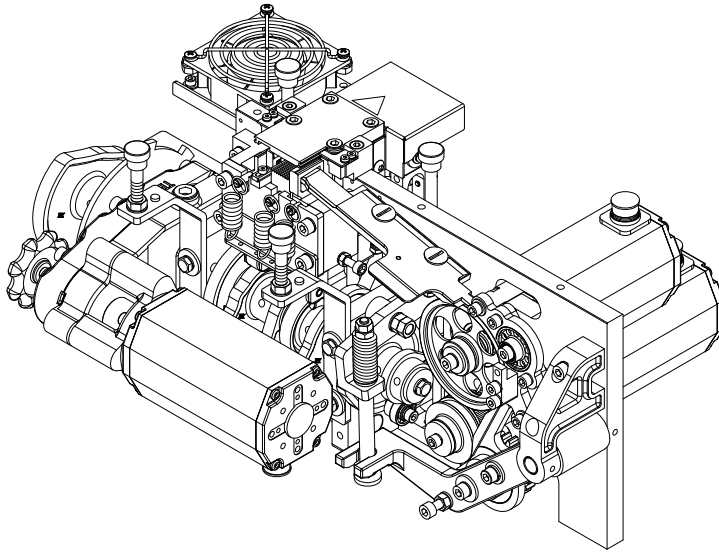


1

# STRAPPING HEAD UNIT

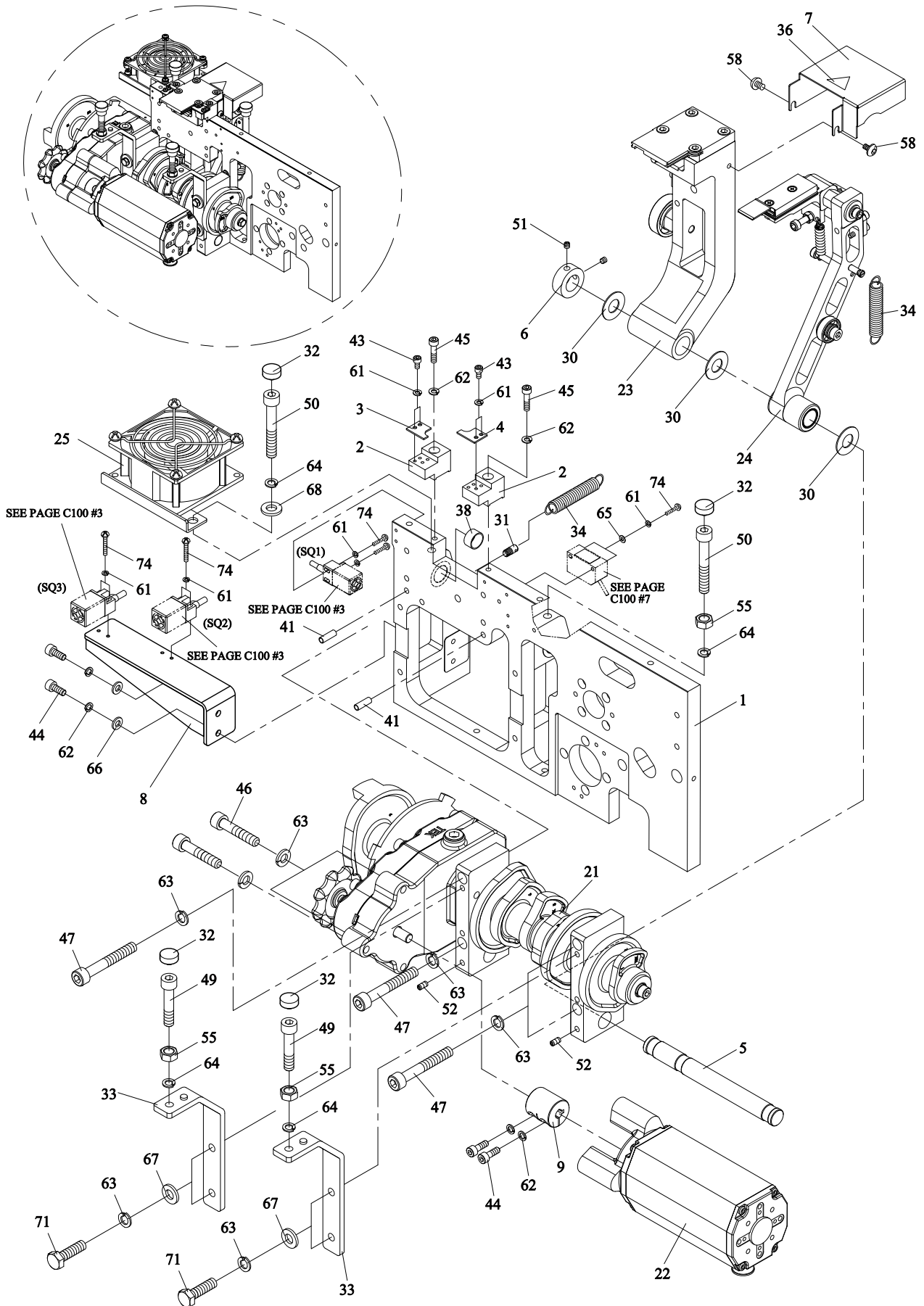
M7-1-900000

M7-1-900010



**1****STRAPPING HEAD UNIT****M7-1-900000****M7-1-900010**

REF. NO.	PART NO.	DESCRIPTION	Q'TY	REMARKS
	M7-1-900000	Strapping Head Unit (For 5-6mm)	1	
	M7-1-900010	Strapping Head Unit (For 9mm)	1	
1	M7-1-100000	Cam Group	1	SEE PAGE C3
2	M7-1-200000	Bar Guide Group	1	SEE PAGE C15
3	M7-1-300000	Feed Group (For 5-6mm)	1	SEE PAGE C23
	M7-1-300010	Feed Group (For 9mm)	1	
4	M7-1-400000	Tension Group (For 5-6mm)	1	SEE PAGE C33
	M7-1-400010	Tension Group (For 9mm)	1	

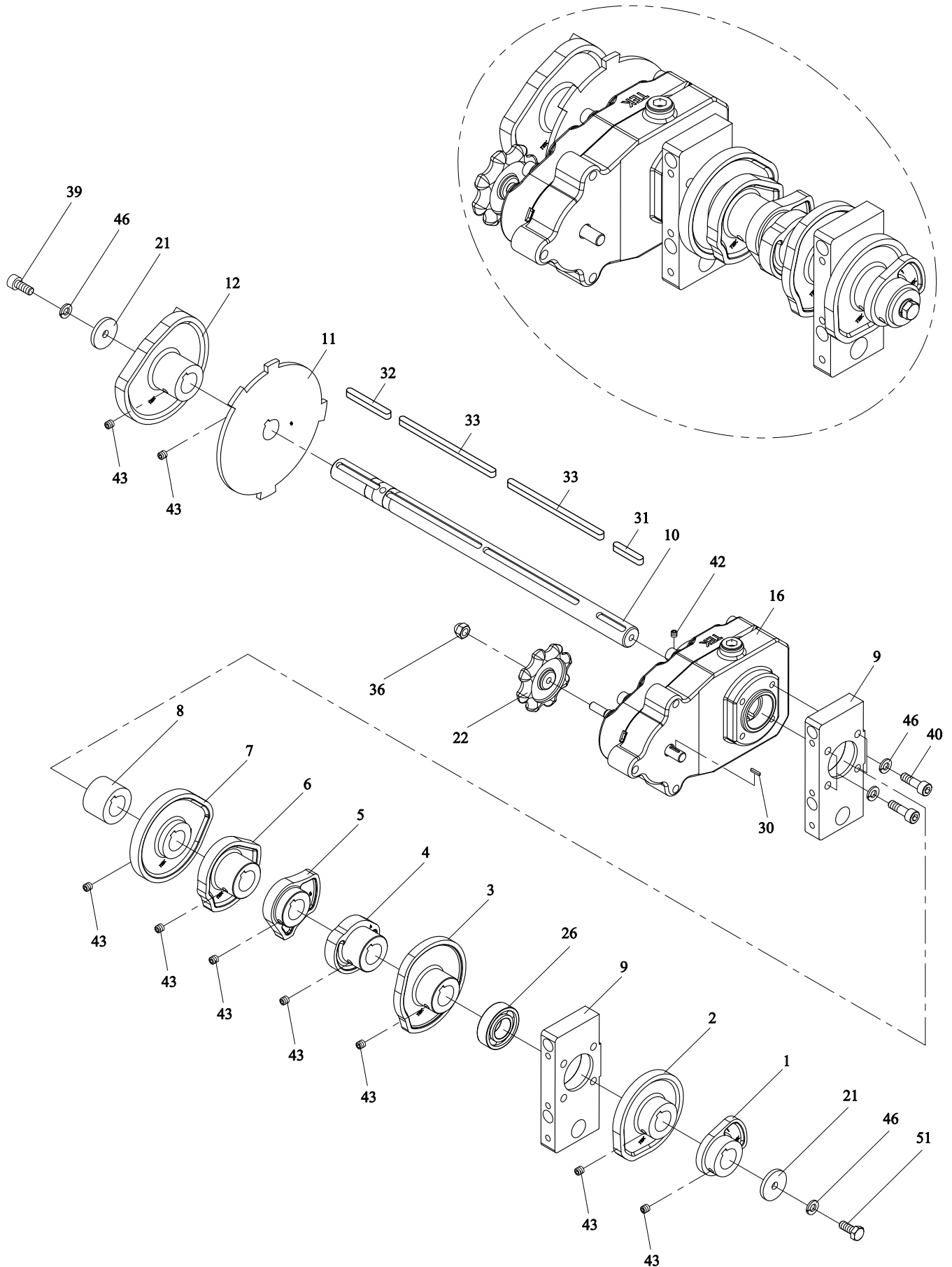


## 1-1

## CAM GROUP

## M7-1-100000

REF. NO.	PART NO.	DESCRIPTION	Q'TY	REMARKS
1	M7-1-101100	Strapping Head Frame	1	
2	M7-1-101200	Guide	2	
3	M7-1-101300	Ejector Plate (L)	1	
4	M7-1-101400	Ejector Plate (R)	1	
5	M7-1-101500	Shaft	1	
6	M7-1-101600	Collar	1	
7	M7-1-101700	Cover	1	
8	M7-1-101800	Sensor Base	1	
9	M7-1-101900	Coupling	1	
21	M7-1-110000	Gear Box and Cam Ass'y	1	SEE PAGE C5
22	M7-1-120000	M1 Motor Ass'y	1	SEE PAGE C7
23	M7-1-130000	Slide Table Frame Ass'y	1	SEE PAGE C9
24	M7-1-140000	Heater Arm Ass'y	1	SEE PAGE C11
25	M7-1-150000	Exhaust Fan Ass'y	1	SEE PAGE C13
30	H42-1227	Washer	3	
31	TA-089	Spring Hook	1	
32	T7-1-10330	Bumper	4	
33	T7-1-10360	Bumper Bracket	2	
34	T7-1-64130	Return Spring	2	
36	LA-40002	Label	1	
38	MB1515	Metal Bush, 1515	1	
41	SP0514	Spring Pin, 5x14	2	
43	HBS0308N	HBS, M3×8 (N)	4	
44	HBS0516N	HBS, M5×16 (N)	4	
45	HBS0525HN	HBS, M5×25 (H)(N)	2	
46	HBS0640HN	HBS, M6×40 (H)(N)	3	
47	HBS0645HN	HBS, M6×45 (H)(N)	4	
49	HBS0840HN	HBS, M8×40 (H)(N)	2	
50	HBS0865HN	HBS, M8×65 (H)(N)	2	
51	HSS0606GN	HSS, M6×6 (G)(N)	2	
52	HSS0610GN	HSS, M6×10 (G)(N)	2	
55	HN08	HN, M8	4	
58	THS0508N	THS, M5×8 (N)	2	
61	SW03	SW, M3	10	
62	SW05	SW, M5	6	
63	SW06	SW, M6	11	
64	SW08	SW, M8	4	
65	PW03	PW, M3 (Option)	2	
66	PW05	PW, M5	2	
67	PW06C	PW, M6 (C)	4	
71	HB0616	HB, M6×16	4	
74	PMS0320	PMS, M3×20	6	
		PMS, M3×20 (Option)	8	



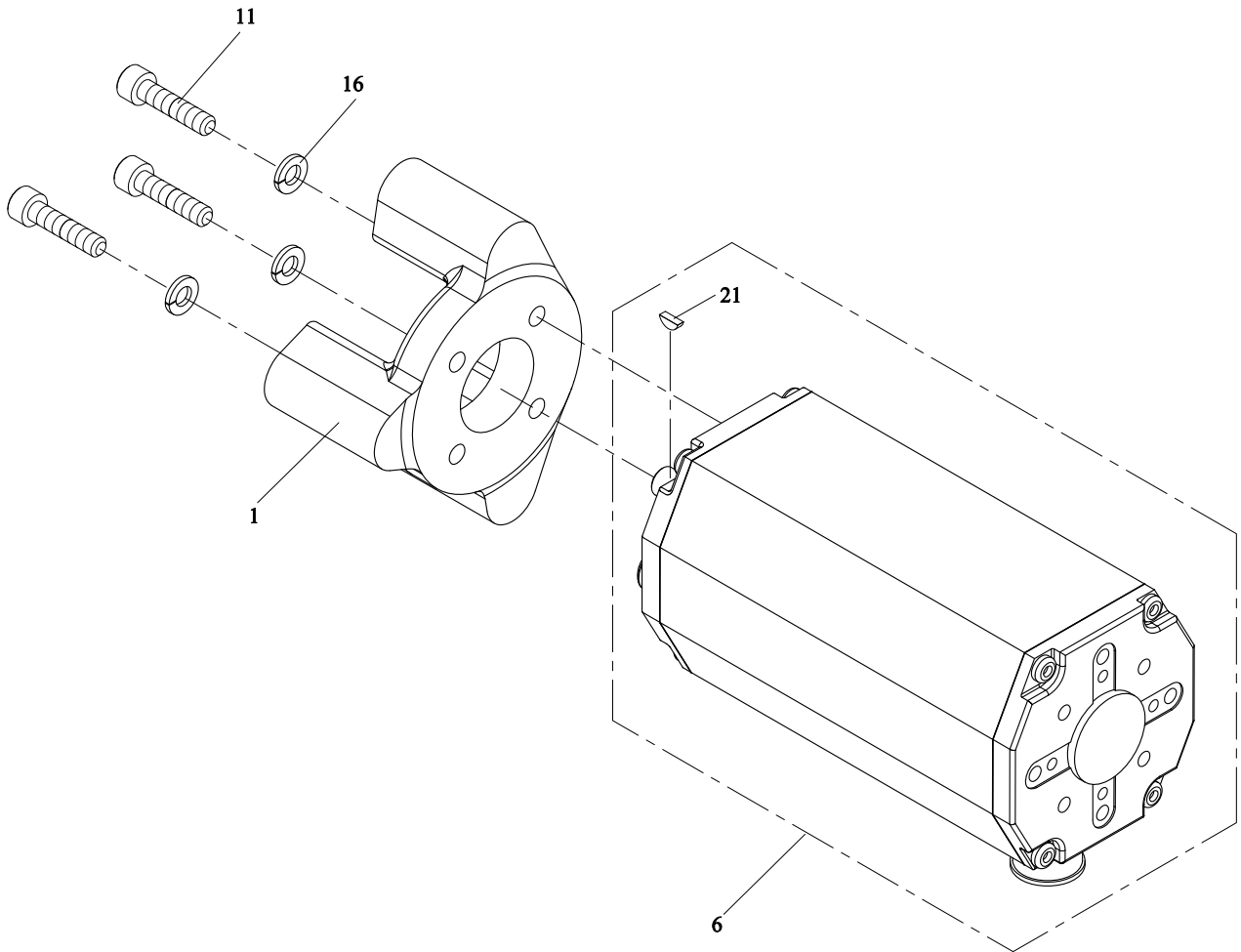
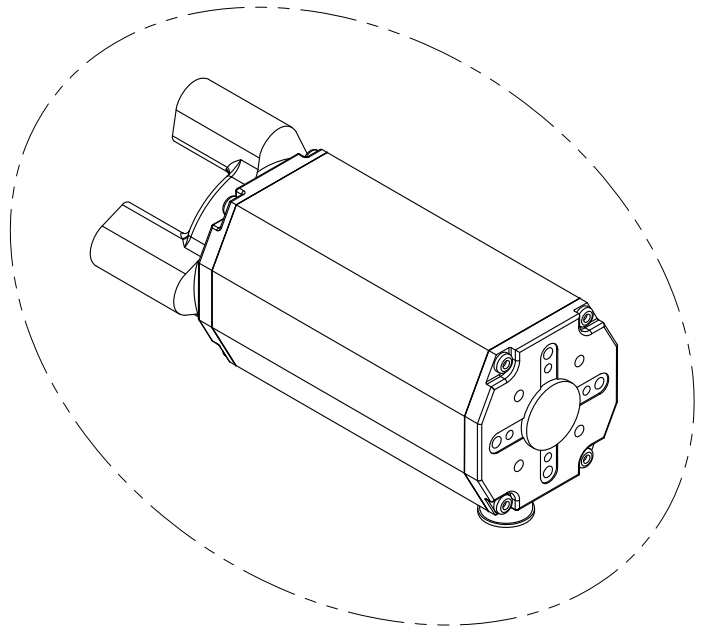
**1-1-1****GEAR BOX AND CAM ASS'Y****M7-1-110000**

REF. NO.	PART NO.	DESCRIPTION	Q'TY	REMARKS
1	M7-1-111100	Retracting Cam	1	
2	M7-1-111200	Tension Cam	1	
3	M7-1-111300	Heater Cam	1	
4	M7-1-111400	Front Bar Cam	1	
5	M7-1-111500	Press Bar Cam	1	
6	M7-1-111600	Rear Bar Cam	1	
7	M7-1-111700	Slide Table Cam	1	
8	M7-1-111800	Collar	1	
9	M7-1-111900	Support	2	
10	M7-1-112000	Cam Shaft	1	
11	M7-1-112100	Position Cam	1	
12	M7-1-112200	Arch Cam	1	
16	M7-1-110100	Gear Box	1	
21	TB-223	Washer	2	
22	T7-1-11240	Handle	1	
26	BR6003ZZ	Bearing, 6003ZZ	1	
30	KYA020210	Key, 2×2×10	1	
31	KYA050530	Key, 5×5×30	1	
32	KYA050545	Key, 5×5×45	1	
33	KYA0505101	Key, 5×5×101	2	
36	CAP06	CAP, M6	1	
39	HBS0616N	HBS, M6×16 (N)	1	
40	HBS0625N	HBS, M6×25 (N)	4	
42	HSS0505GN	HBS, M5×5 (G)(N)	1	
43	HSS0606GN	HBS, M6×6 (G)(N)	9	
46	SW06	SW, M6	6	
51	HB0616	HB, M6×16	1	

1-1-2

M1 MOTOR ASS'Y

M7-1-120000



**1-1-2****M1 MOTOR ASS'Y****M7-1-120000**

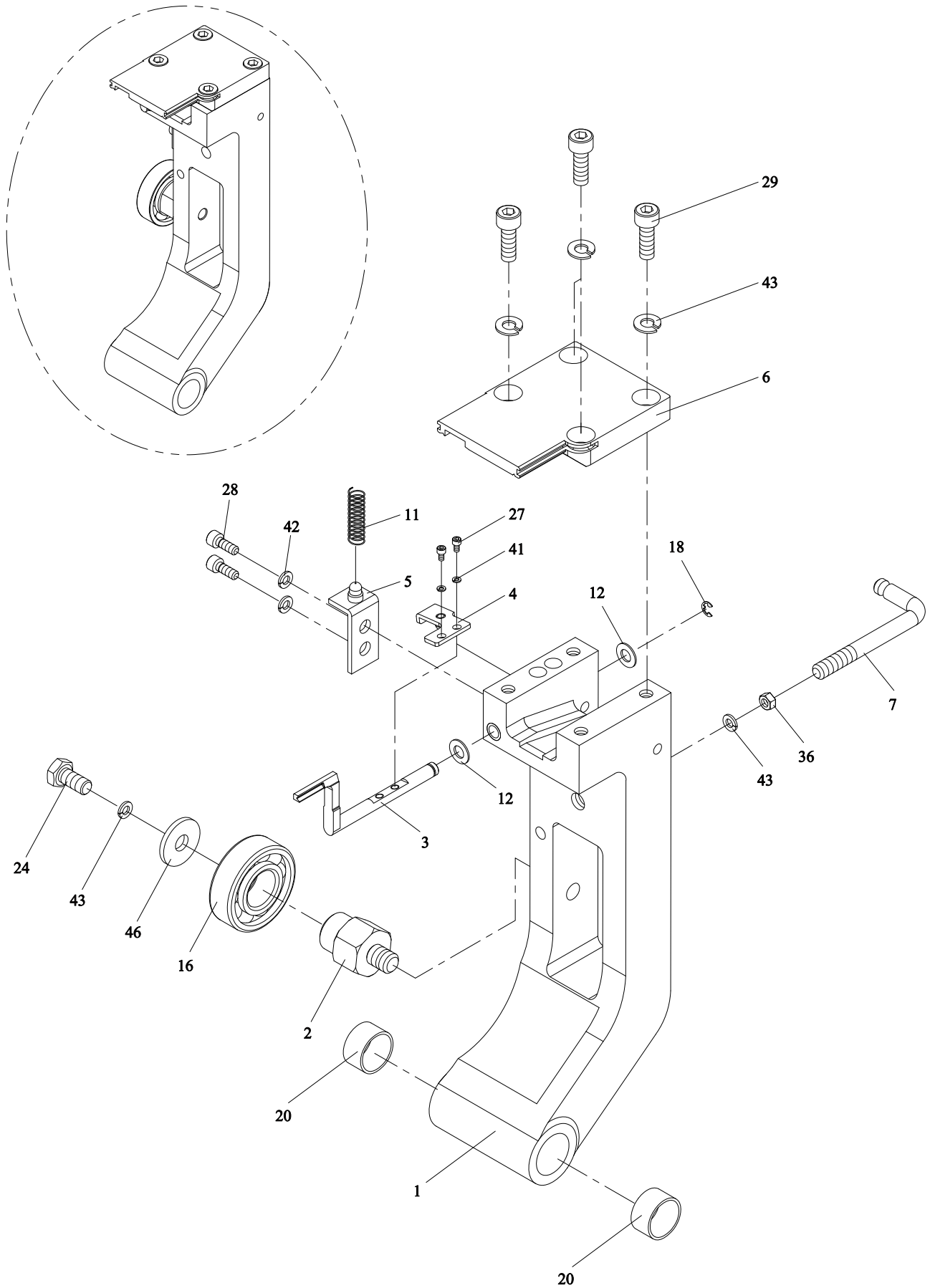
REF. NO.	PART NO.	DESCRIPTION	Q'TY	REMARKS
1	M7-1-121100	Gear Box Support	1	
6	M7-1-221100	M1 Motor	1	
11	HBS0520N	HBS, M5×20 (N)	4	
16	SW05	SW, M5	4	
21	KYC0210	Key, 2×10	1	



1-1-3

SLIDE TABLE FRAME ASS'Y

M7-1-130000

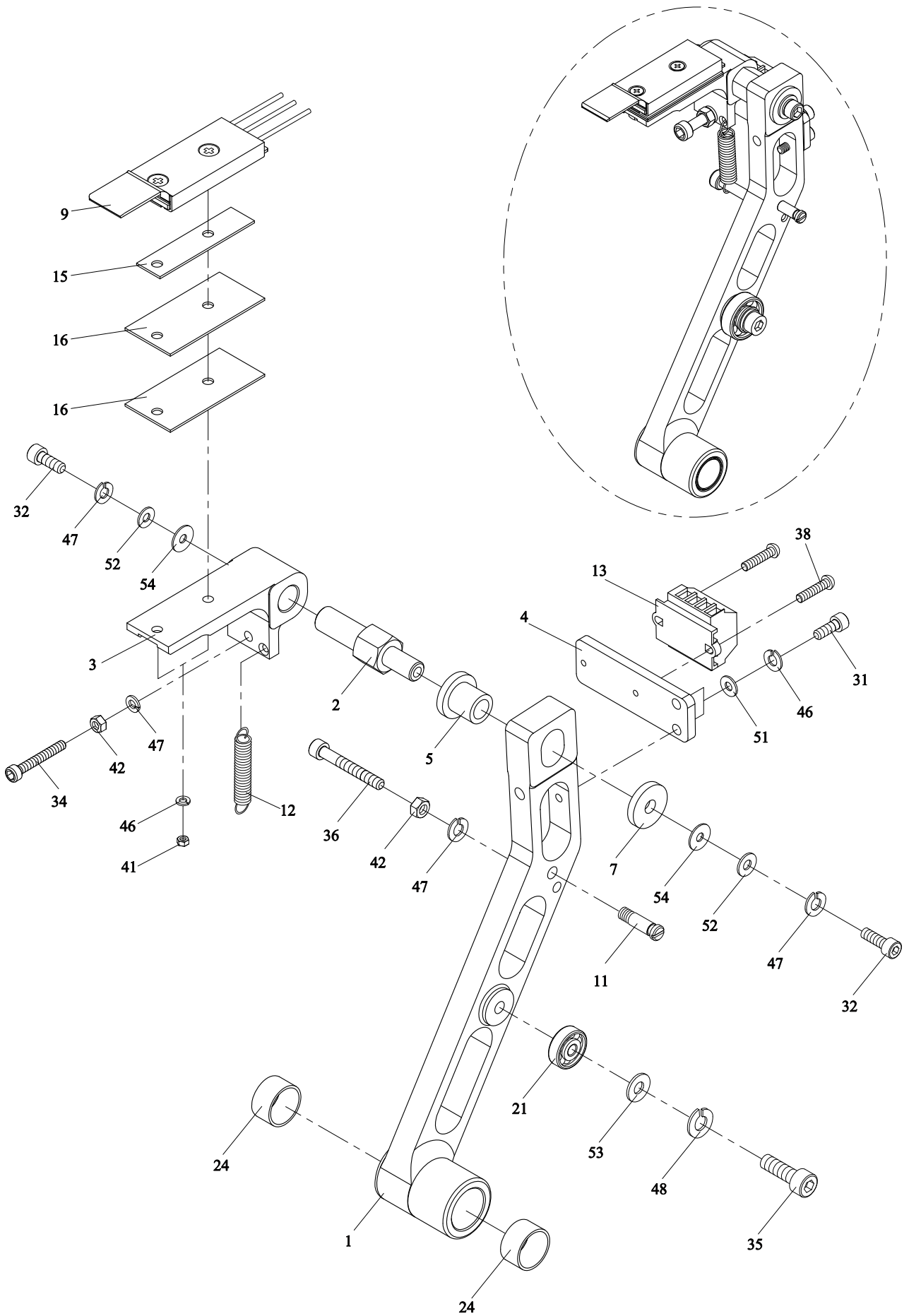


## 1-1-3

## SLIDE TABLE FRAME ASS'Y

M7-1-130000

REF. NO.	PART NO.	DESCRIPTION	Q'TY	REMARKS
1	M7-1-131100	Slide Table Frame	1	
2	M7-1-131200	Shaft	1	
3	M7-1-131300	Switch Lever	1	
4	M7-1-131400	Sensor Plate	1	
5	M7-1-131500	Spring Base	1	
6	M7-1-131600	Slide Table	1	
	M7-1-131600S	Slide Table (Stainless Steel Model)(Option)	1	
7	M7-1-131700	Spring Hook	1	
11	T7-1-10140	Spring	1	
12	T7-3-40470	Washer	2	
16	BR6202ZZ	Bearing, 6202ZZ	1	
18	ER04	Snap Ring, E-4	1	
20	MB1515	Metal Bush, 1515	2	
24	HB0612	HB, M6×12	1	
27	HBS0306N	HBS, M3×6 (N)	2	
28	HBS0512N	HBS, M5×12 (N)	2	
29	HBS0616N	HBS, M6×16 (N)	4	
36	HN06	HN, M6	1	
41	SW03	SW, M3	2	
42	SW05	SW, M5	2	
43	SW06	SW, M6	6	
46	PW06C	PW, M6 (C)	1	

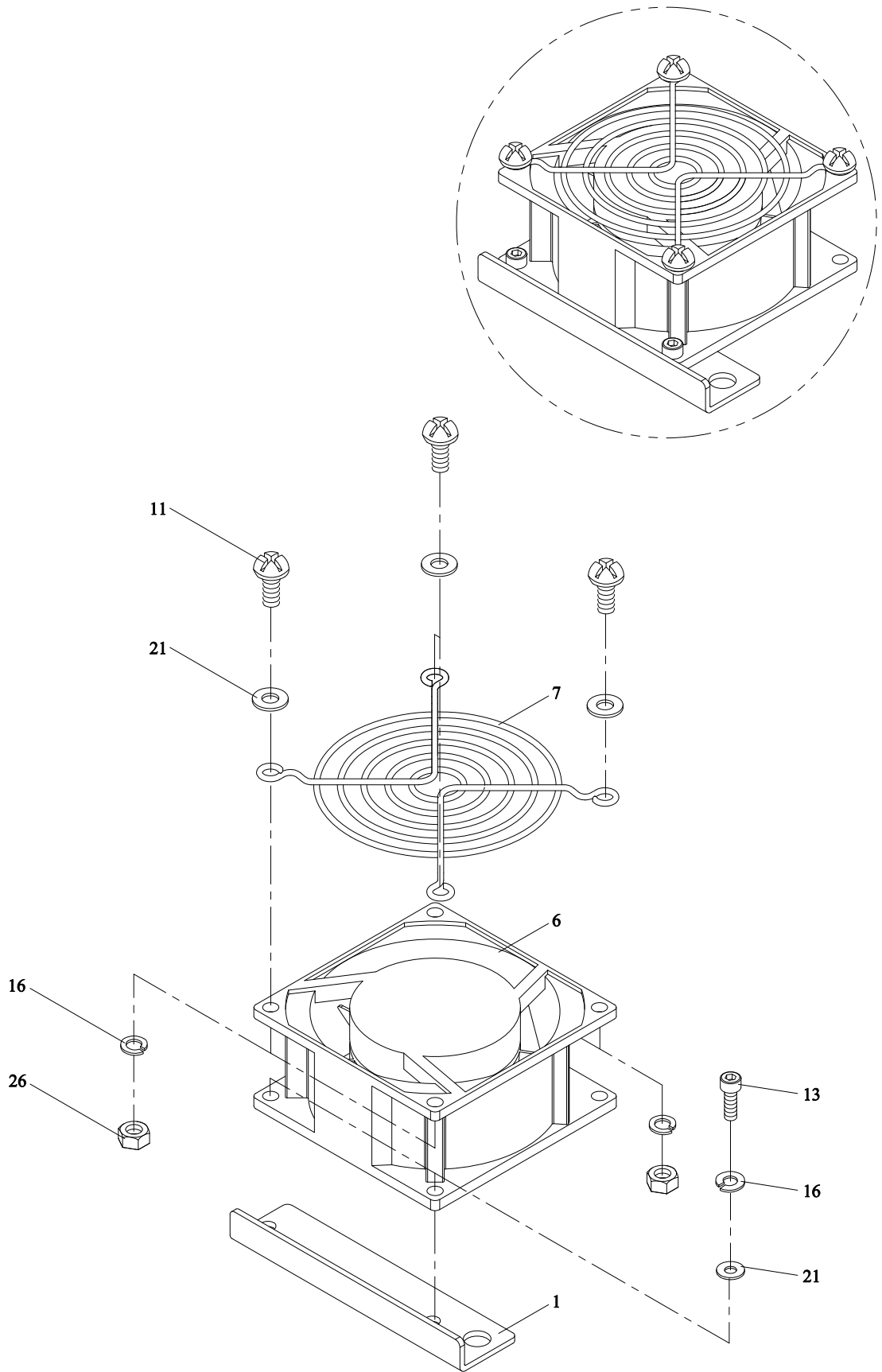


## 1-1-4

## HEATER ARM ASS'Y

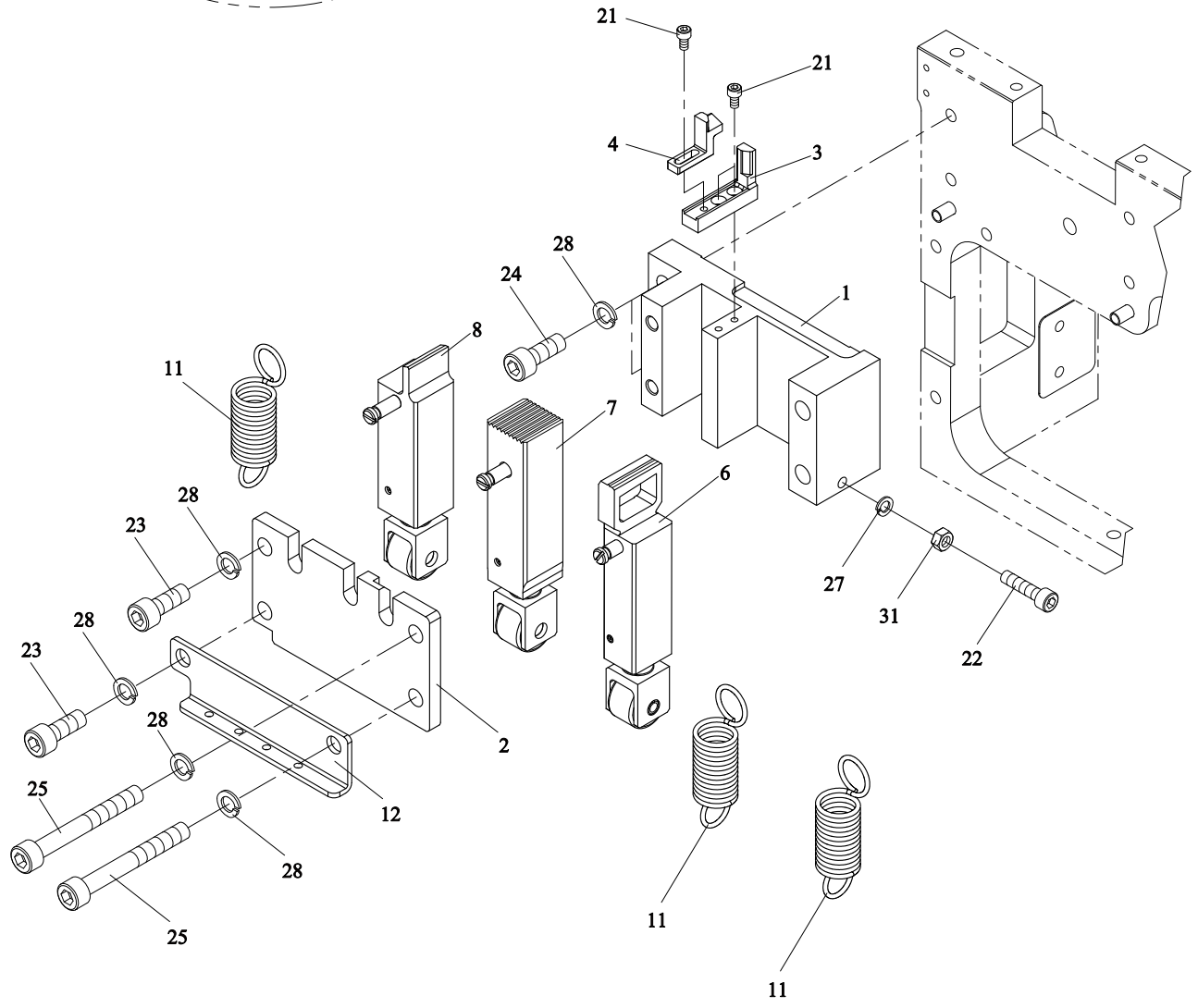
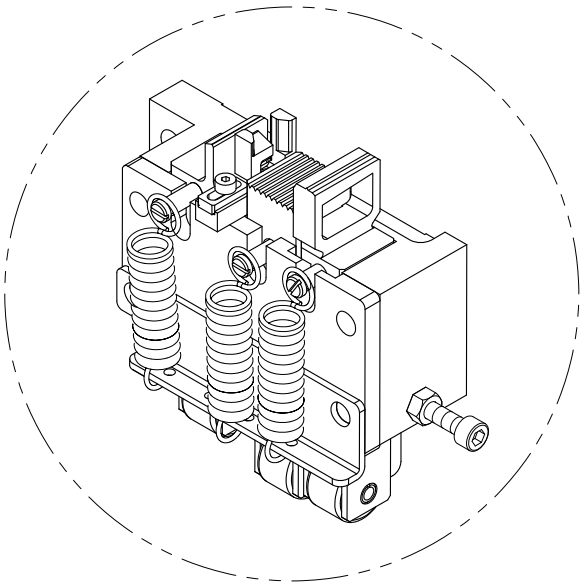
M7-1-140000

REF. NO.	PART NO.	DESCRIPTION	Q'TY	REMARKS
1	M7-1-141100	Heater Crank	1	
2	M7-1-141200	Heater Shaft	1	
	M7-1-141200S	Heater Shaft (Stainless Steel Model)(Option)	1	
3	M7-1-141300	Heater Bracket	1	
	M7-1-141300S	Heater Bracket (Stainless Steel Model)(Option)	1	
4	M7-1-141400	Terminal Bracket	1	
5	M7-1-141500	Isolator	1	
7	WA-030501	Washer ( $\varphi$ 5.5 $\times$ $\varphi$ 18 t=3)	1	
9	M7-1-140100	Heater Set	1	
11	TA-073	Spring Hook	1	
12	TB-115	Spring	1	
13	T5-1-12451	Heater Terminal	1	
15	T7-1-12411	Heater-Insulation	1	
16	T7-1-12412	Heater-Insulation	2	
21	BR636ZZ	Bearing, 636ZZ	1	
24	MB1510	Metal Bush, 1510	2	
31	HBS0412N	HBS, M4 $\times$ 12 (N)	2	
32	HBS0512N	HBS, M5 $\times$ 12 (N)	2	
34	HBS0530N	HBS, M5 $\times$ 30 (N)	1	
35	HBS0620N	HBS, M6 $\times$ 20 (N)	1	
36	HBS0540HN	HBS, M5 $\times$ 40 (H)(N)	1	
38	PMS0310	PMS, M3 $\times$ 10	2	
41	HN04	HN, M4	2	
42	HN05	HN, M5	2	
46	SW04	SW, M4	2	
47	SW05	SW, M5	4	
48	SW06	SW, M6	1	
51	PW04	PW, M4	2	
52	PW05	PW, M5	2	
53	PW06A	PW, M6 (A)	1	
54	PW06C	PW, M6 (C)	2	



**1-1-5****EXHAUST FAN ASS'Y****M7-1-150000**

REF. NO.	PART NO.	DESCRIPTION	Q'TY	REMARKS
1	M7-1-151100	Fan Bracket	1	
6	T5-1-12370	Fan	1	
7	T7-6-10930	Fan Cover	1	
11	TMS0412	TMS, M4×12	4	
13	HBS0410N	HBS, M4×10 (N)	2	
16	SW04	SW, M4	6	
21	PW04	PW, M4	6	
26	HN04	HN, M4	4	



## 1-2

## BAR GUIDE GROUP

M7-1-200000

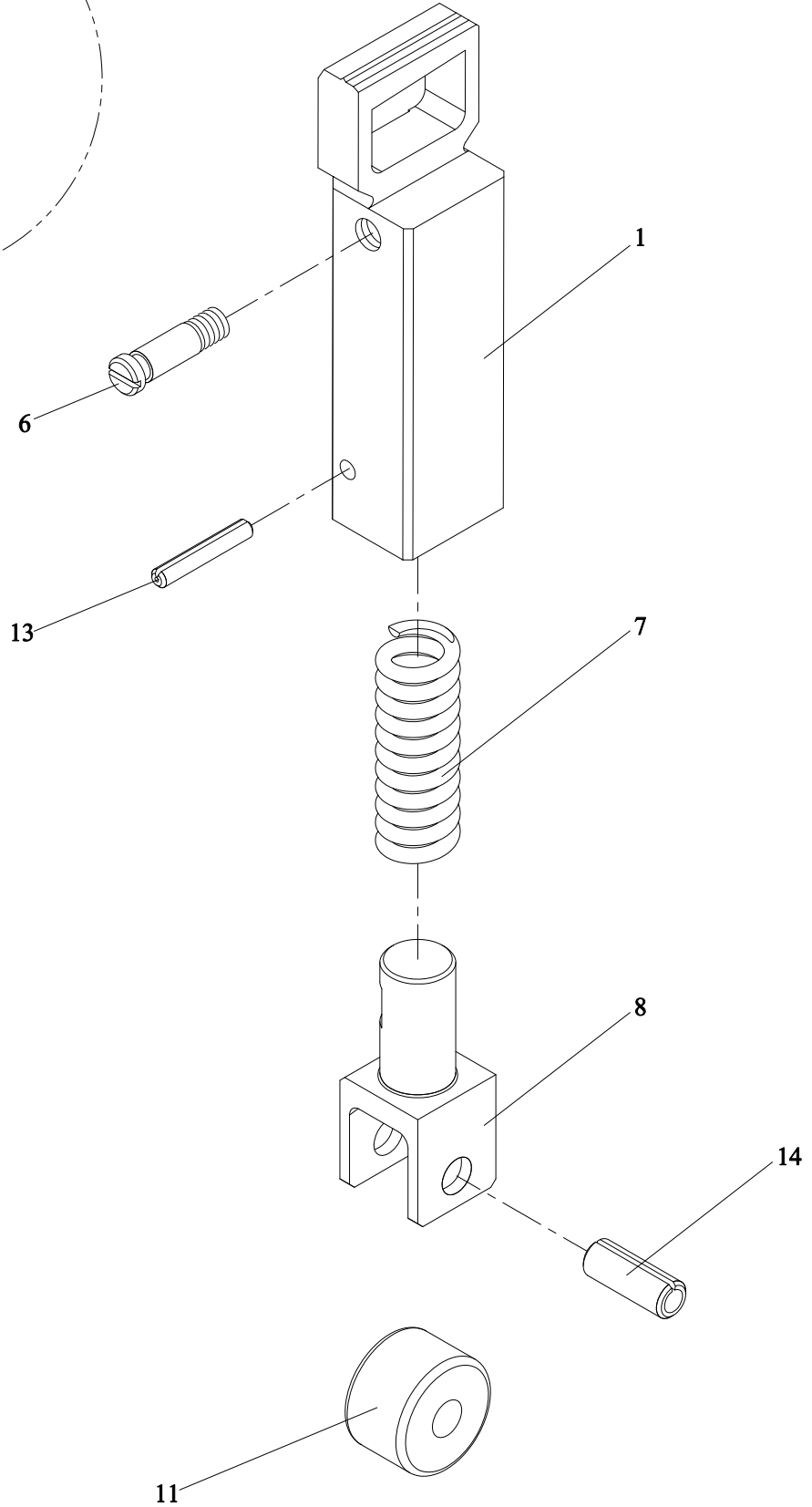
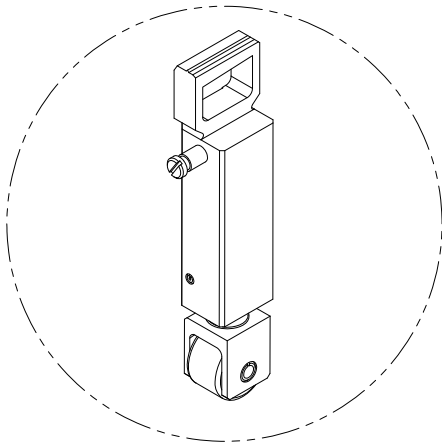
REF. NO.	PART NO.	DESCRIPTION	Q'TY	REMARKS
1	M7-1-201100	Bar Guide	1	
2	M7-1-201200	Bar Guide Lid	1	
	M7-1-201200S	Bar Guide Lid (Stainless Steel Model)(Option)	1	
3	M7-1-201300	Cutter Holder	1	
	M7-1-201300S	Cutter Holder (Stainless Steel Model)(Option)	1	
4	M7-1-201400	Strap Guide	1	
	M7-1-201400S	Strap Guide (Stainless Steel Model)(Option)	1	
6	M7-1-210000	Front Bar Ass'y	1	SEE PAGE C17
	M7-1-210000S	Front Bar Ass'y (Stainless Steel Model)(Option)	1	
7	M7-1-220000	Press Bar Ass'y	1	SEE PAGE C19
	M7-1-220000S	Press Bar Ass'y (Stainless Steel Model)(Option)	1	
8	M7-1-230000	Rear Bar Ass'y	1	SEE PAGE C21
	M7-1-230000S	Rear Bar Ass'y (Stainless Steel Model)(Option)	1	
11	TA-071	Return Spring	3	
12	T7-1-10180	Spring Hook	1	
21	HBS0308N	HBS, M3×8 (N)	3	
22	HBS0520N	HBS, M5×20 (N)	1	
23	HBS0616N	HBS, M6×16 (N)	2	
24	HBS0620N	HBS, M6×20 (N)	2	
25	HBS0650HN	HBS, M6×50 (H)(N)	2	
27	SW05	SW, M5	1	
28	SW06	SW, M6	6	
31	HN05	HN, M5	1	



1-2-1

FRONT BAR ASS'Y

M7-1-210000  
M7-1-210000S



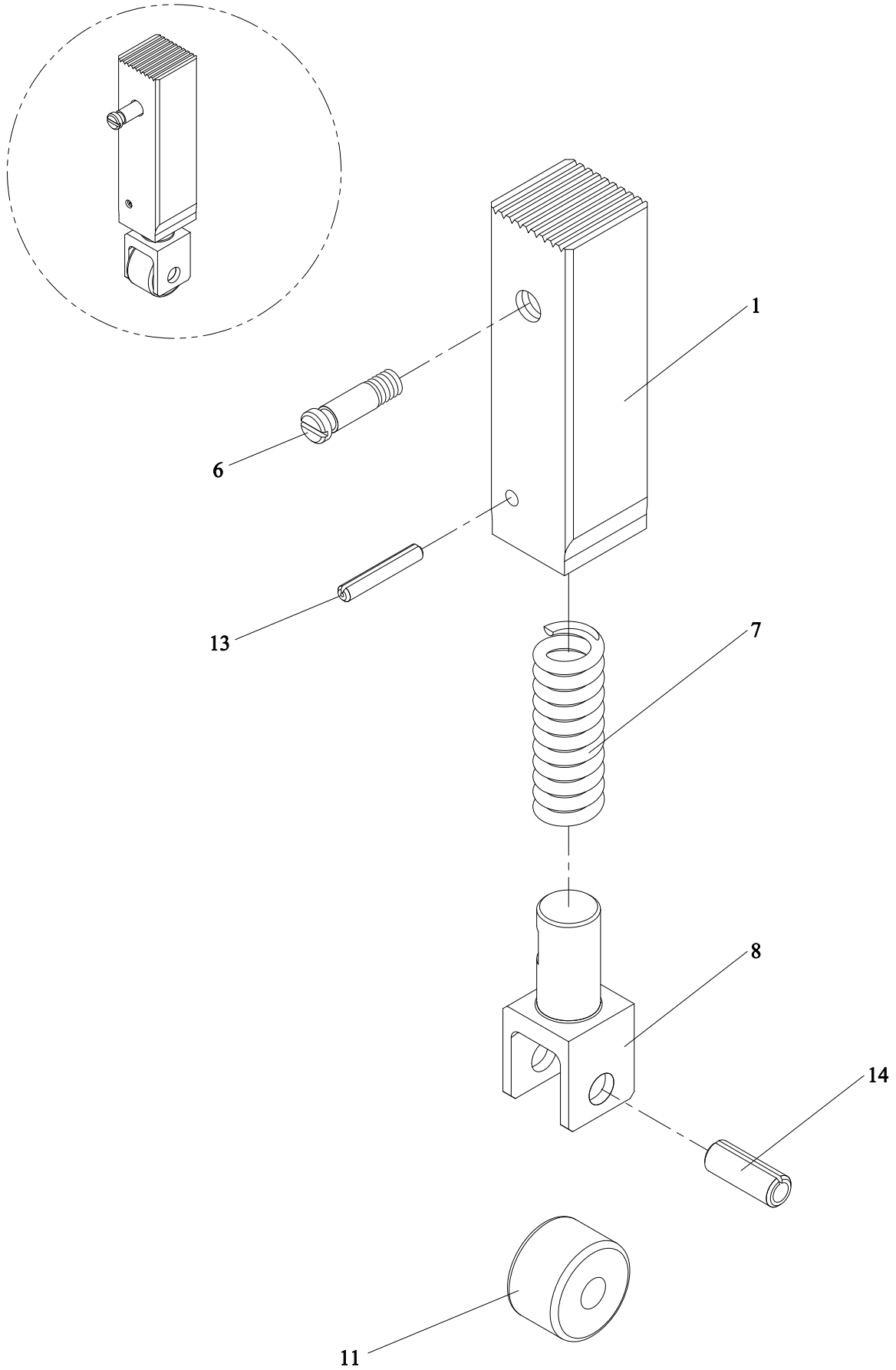
**1-2-1****FRONT BAR ASS'Y****M7-1-210000  
M7-1-210000S**

REF. NO.	PART NO.	DESCRIPTION	Q'TY	REMARKS
1	M7-1-210000	Front Bar Ass'y	1	
	M7-1-210000S	Front Bar Ass'y (Stainless Steel Model)(Option)	1	
	M7-1-211100	Front Bar	1	
	M7-1-211100S	Front Bar (Stainless Steel Model)(Option)	1	
6	TA-073	Spring Hook	1	
7	TA-078	Spring	1	
8	T7-1-13121	Plunger	1	
11	BRNART6VR	Bearing, NART6VR	1	
13	SP0318	Spring Pin, 3x18	1	
14	SP0616	Spring Pin, 6x16	1	

1-2-2

PRESS BAR ASS'Y

M7-1-220000  
M7-1-220000S



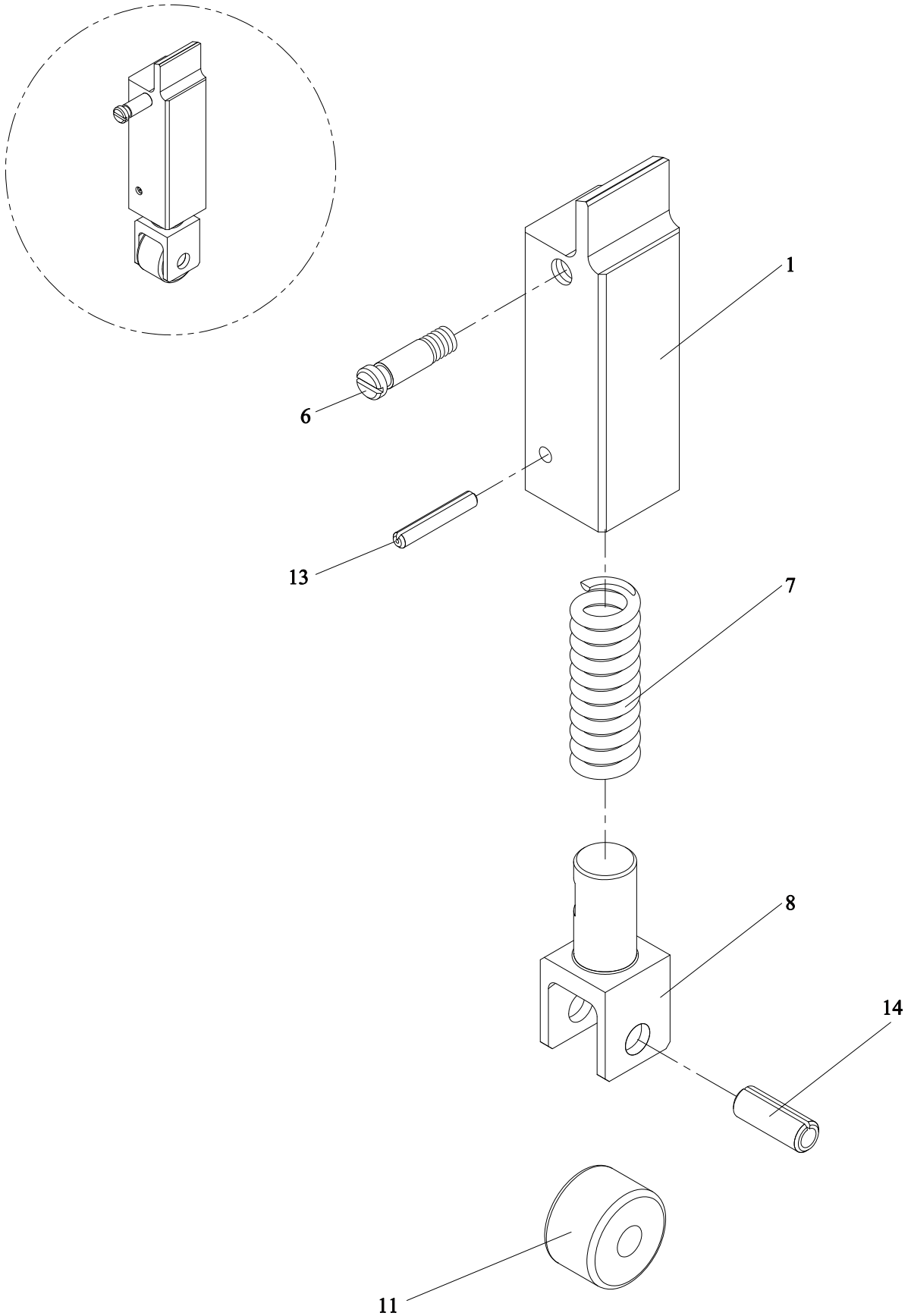
**1-2-2****PRESS BAR ASS'Y****M7-1-220000  
M7-1-220000S**

REF. NO.	PART NO.	DESCRIPTION	Q'TY	REMARKS
1	M7-1-220000	Press Bar Ass'y	1	
	M7-1-220000S	Press Bar Ass'y (Stainless Steel Model)(Option)	1	
	M7-1-221200	Press Bar	1	
	M7-1-221200S	Press Bar (Stainless Steel Model)(Option)	1	
6	TA-073	Spring Hook	1	
7	TA-078	Spring	1	
8	T7-1-13121	Plunger	1	
11	BRNART6VR	Bearing, NART6VR	1	
13	SP0318	Spring Pin, 3x18	1	
14	SP0616	Spring Pin, 6x16	1	

1-2-3

REAR BAR ASS'Y

M7-1-230000  
M7-1-230000S



**1-2-3****REAR BAR ASS'Y****M7-1-230000  
M7-1-230000S**

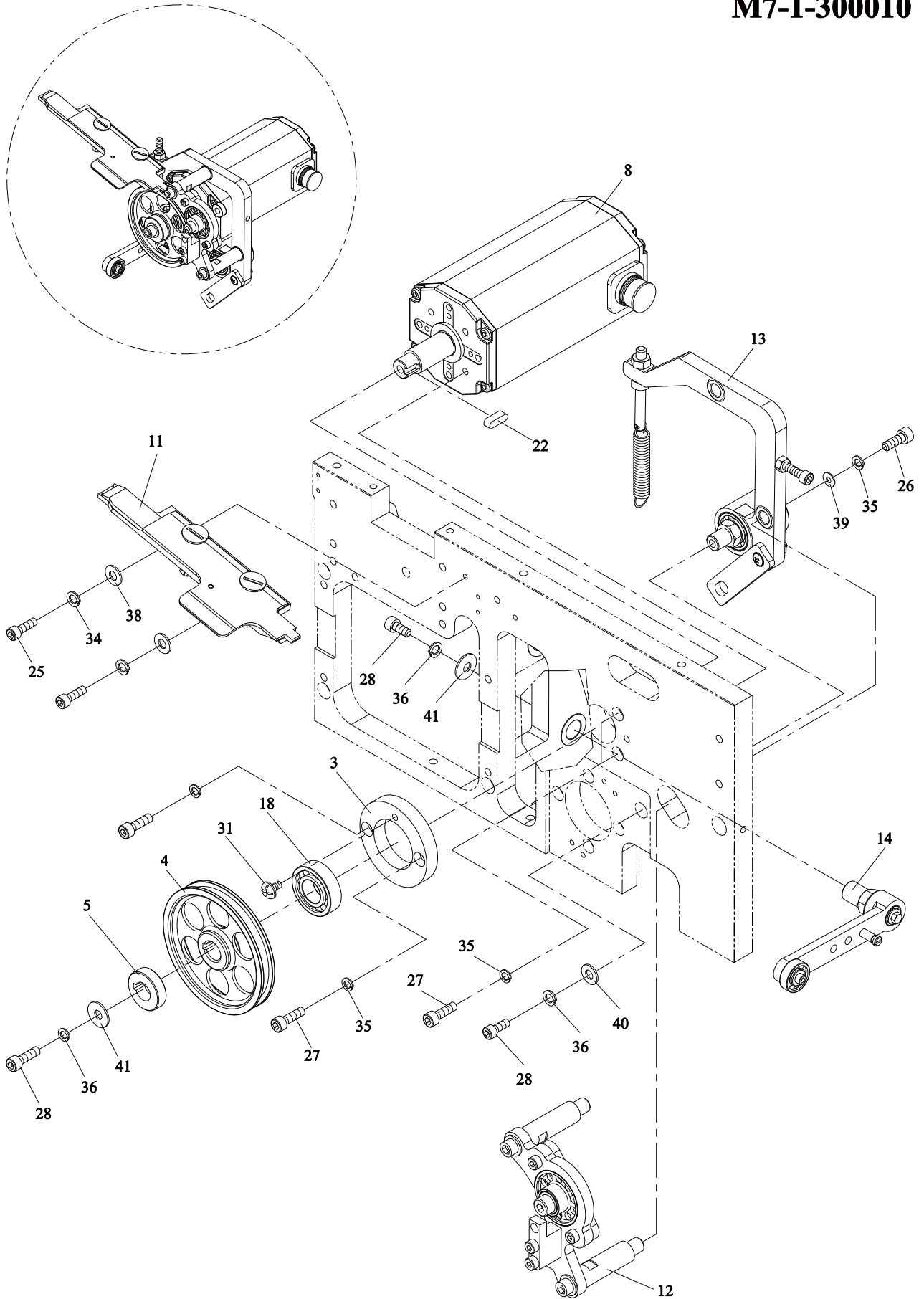
REF. NO.	PART NO.	DESCRIPTION	Q'TY	REMARKS
1	M7-1-230000	Rear Bar Ass'y	1	
	M7-1-230000S	Rear Bar Ass'y (Stainless Steel Model)(Option)	1	
	M7-1-231100	Rear Bar	1	
	M7-1-231100S	Rear Bar (Stainless Steel Model)(Option)	1	
6	TA-073	Spring Hook	1	
7	TA-078	Spring	1	
8	T7-1-13121	Plunger	1	
11	BRNART6VR	Bearing, NART6VR	1	
13	SP0318	Spring Pin, 3x18	1	
14	SP0616	Spring Pin, 6x16	1	

1-3

# FEED GROUP

M7-1-300000

M7-1-300010



1-3

## FEED GROUP

M7-1-300000  
M7-1-300010

REF. NO.	PART NO.	DESCRIPTION	Q'TY	REMARKS
	M7-1-300000	Feed Group (For 5-6mm)	1	
	M7-1-300010	Feed Group (For 9mm)	1	
3	M7-1-301300	Bearing Housing	1	
4	M7-1-301400	Guide Wheel (For 5-6mm)	1	
	M7-1-301410	Guide Wheel (For 9mm)	1	
5	M7-1-301500	Spacer (For 5-6mm)	1	
	M7-1-301510	Spacer (For 9mm)	1	
8	M7-1-300100	Feeding Motor (M2) Set	1	
11	M7-1-310000	Upper Guide Ass'y (For 5-6mm)	1	SEE PAGE C25
	M7-1-310000S	Upper Guide Ass'y (Stainless Steel Model)(For 5-6mm)(Option)	1	
	M7-1-310010	Upper Guide Ass'y (For 9mm)	1	
	M7-1-310010S	Upper Guide Ass'y (Stainless Steel Model)(For 9mm)(Option)	1	
12	M7-1-320000	Assistant Roller Ass'y (For 5-6mm)	1	SEE PAGE C27
	M7-1-320010	Assistant Roller Ass'y (For 9mm)	1	
13	M7-1-330000	Feeding Arm Ass'y	1	SEE PAGE C29
14	M7-1-340000	Retracting Arm Ass'y	1	SEE PAGE C31
18	BR6002ZZ	Bearing, 6002ZZ	1	
22	KYA040415	Key, 4×4×15	1	
25	HBS0416N	HBS, M4×16 (N)	2	
26	HBS0512N	HBS, M5×12 (N)	2	
27	HBS0516N	HBS, M5×16 (N)	6	
28	HBS0612N	HBS, M6×12 (N)	3	
31	TMS0510	TMS, M5×10	1	
34	SW04	SW, M4	2	
35	SW05	SW, M5	8	
36	SW06	SW, M6	3	
38	PW04	PW, M4	2	
39	PW05	PW, M5	2	
40	PW06A	PW, M6 (A)	1	
41	PW06C	PW, M6 (C)	2	

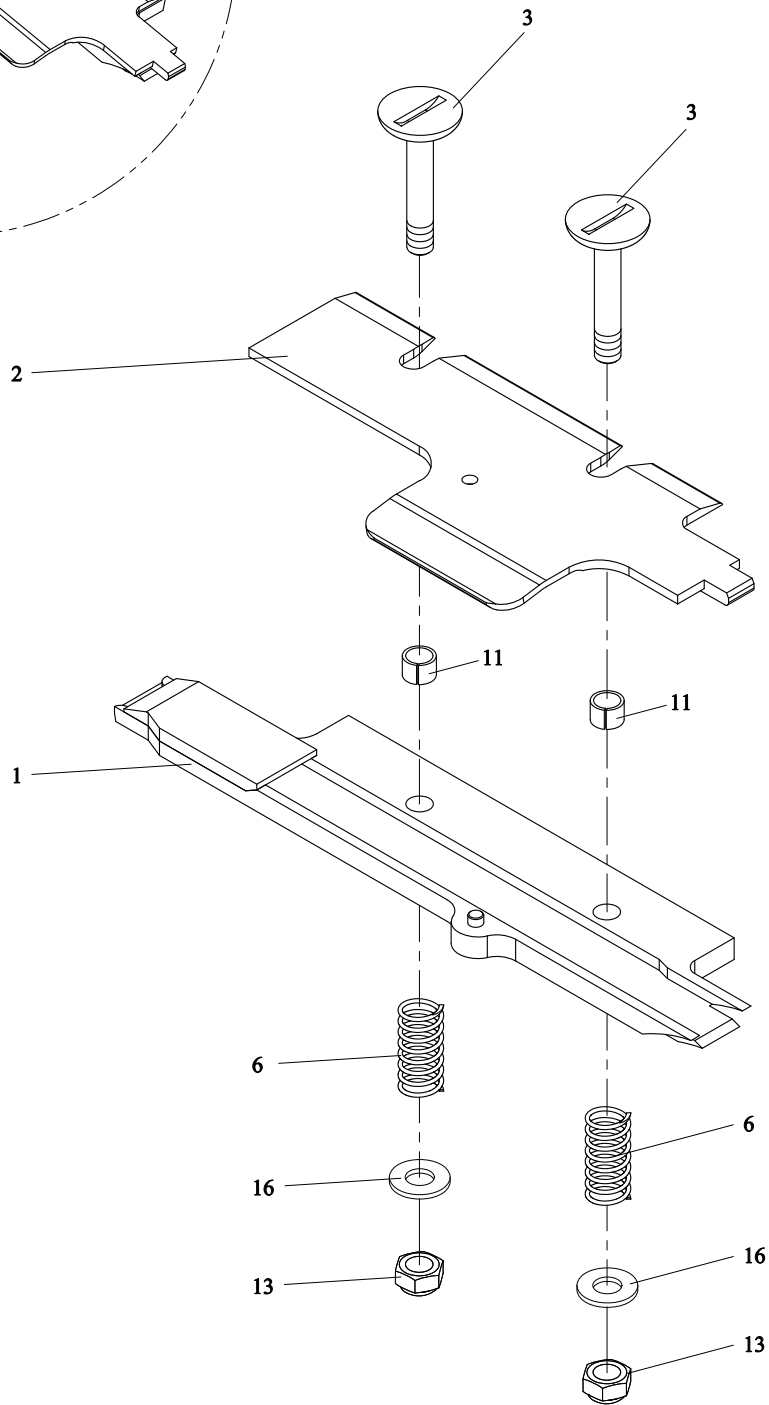
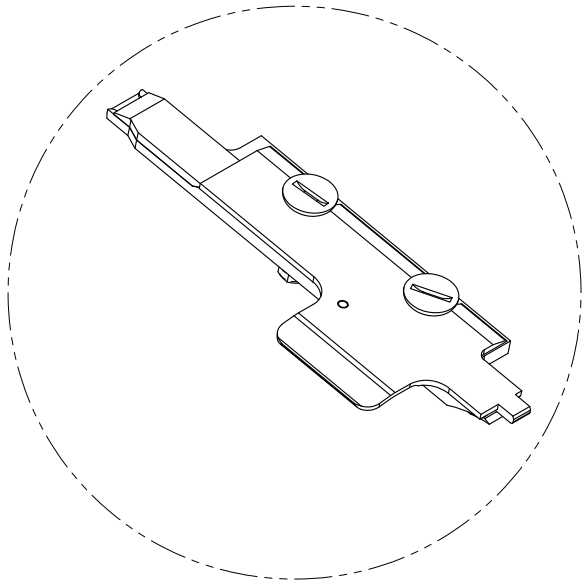


1-3-1

UPPER GUIDE ASS'Y

M7-1-310000

M7-1-310010



**1-3-1****UPPER GUIDE ASS'Y****M7-1-310000****M7-1-310010**

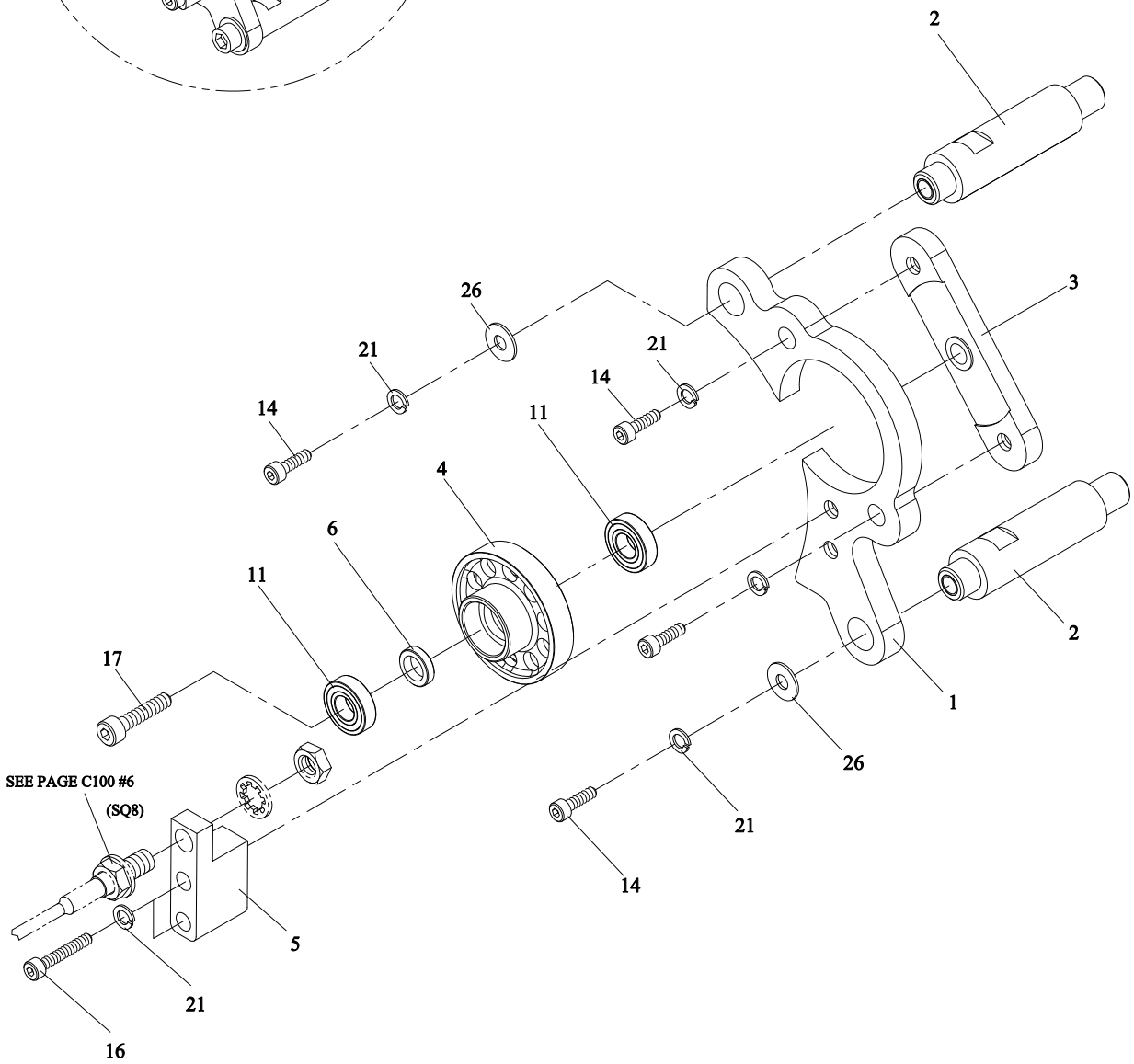
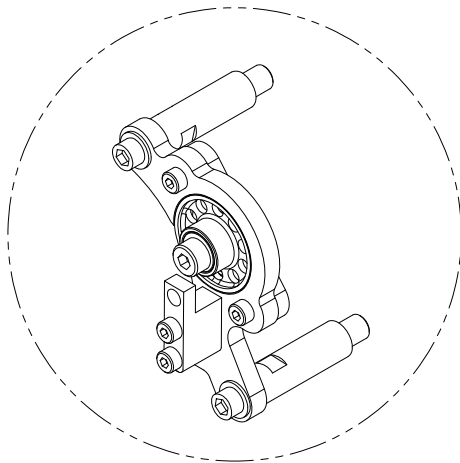
REF. NO.	PART NO.	DESCRIPTION	Q'TY	REMARKS
	M7-1-310000	Upper Guide Ass'y (For 5-6mm)	1	
	M7-1-31000S	Upper Guide Ass'y (Stainless Steel Model)(For 5-6mm)(Option)	1	
	M7-1-310010	Upper Guide Ass'y (For 9mm)	1	
	M7-1-31001S	Upper Guide Ass'y (Stainless Steel Model)(For 9mm)(Option)	1	
1	M7-1-311100	Upper Guide (For 5-6 mm)	1	
	M7-1-31110S	Upper Guide (Stainless Steel Model)(For 5-6 mm)(Option)	1	
	M7-1-311110	Upper Guide (For 9 mm)	1	
	M7-1-31111S	Upper Guide (Stainless Steel Model)(For 9 mm)(Option)	1	
2	M7-1-311200	Cover (For 5-6mm)	1	
	M7-1-31120S	Cover (Stainless Steel Model)(For 5-6mm)(Option)	1	
	M7-1-311210	Cover (For 9mm)	1	
	M7-1-31121S	Cover (Stainless Steel Model)(For 9mm)(Option)	1	
3	M7-1-311300	Bolt	2	
	M7-1-31130S	Bolt (Stainless Steel Model) (Option)	2	
6	H44-10940	Spring	2	
11	MB0505	Metal Bush, 0505	2	
13	NTE05	NTE, M5	2	
16	PW05	PW, M5	2	

1-3-2

ASSISTANT ROLLER ASS'Y

M7-1-320000

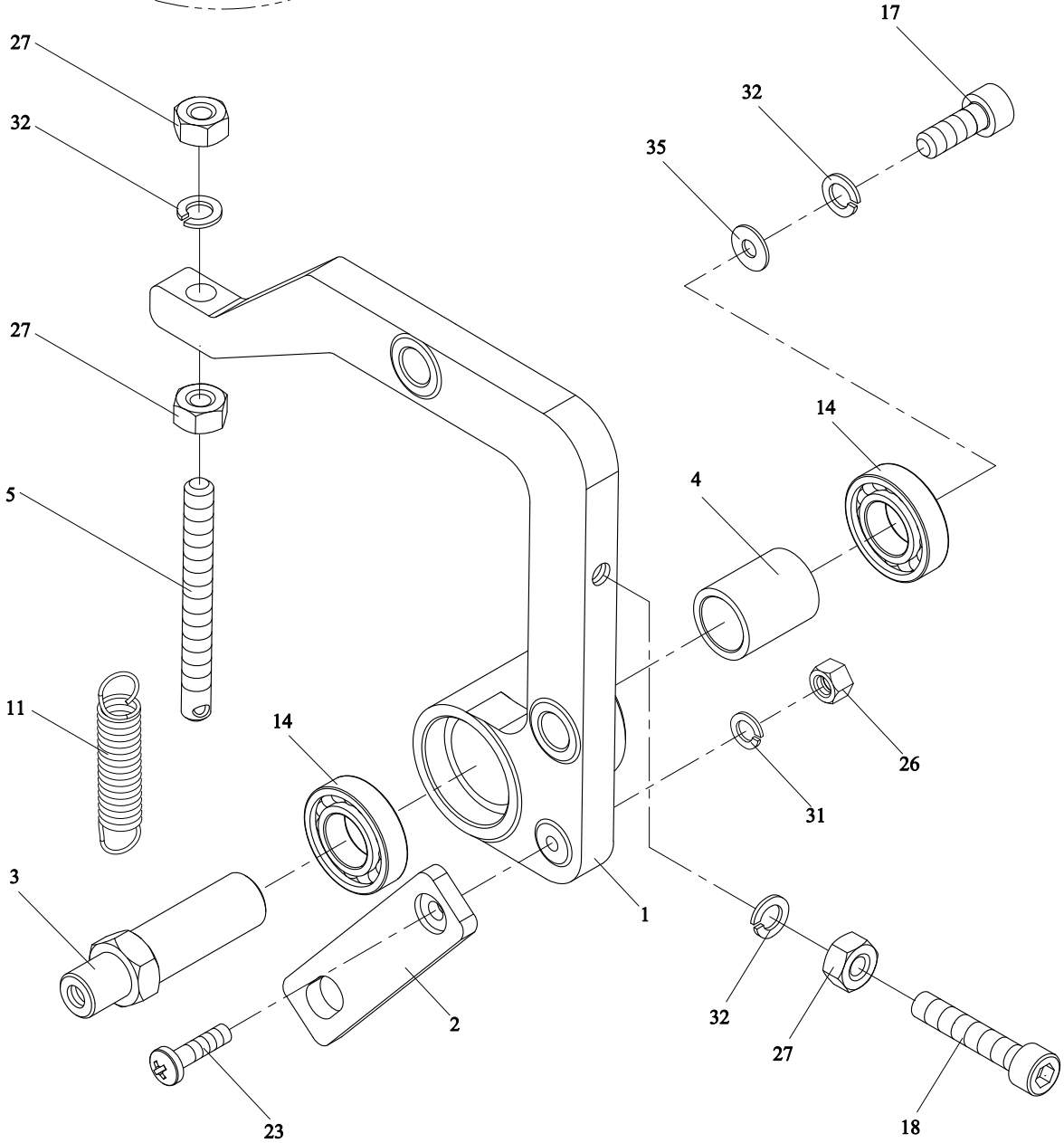
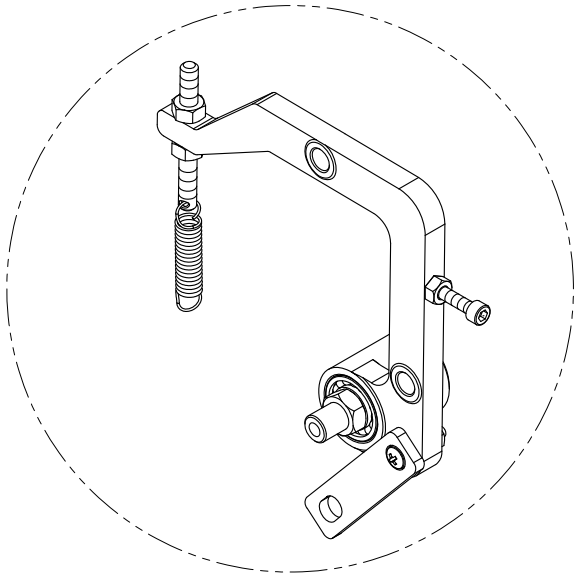
M7-1-320010



SEE PAGE C100 #6  
(SQ8)

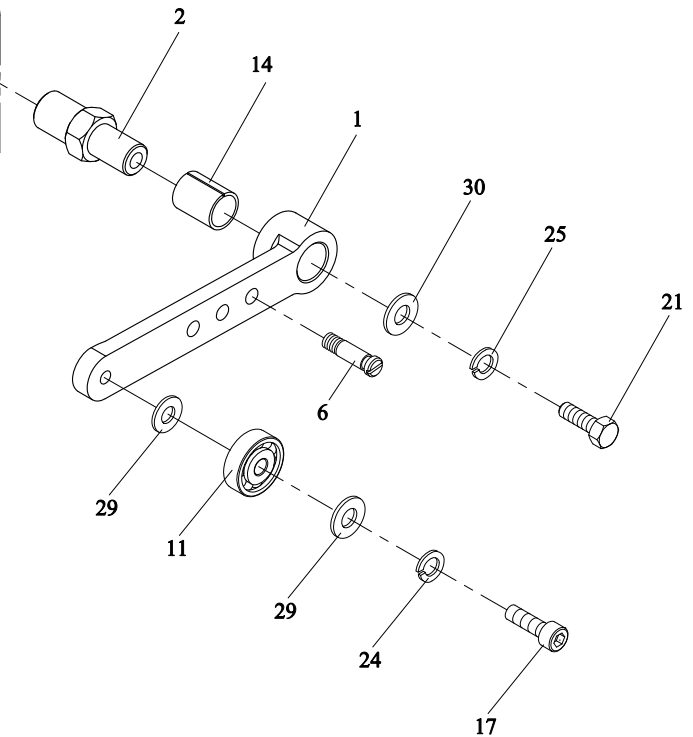
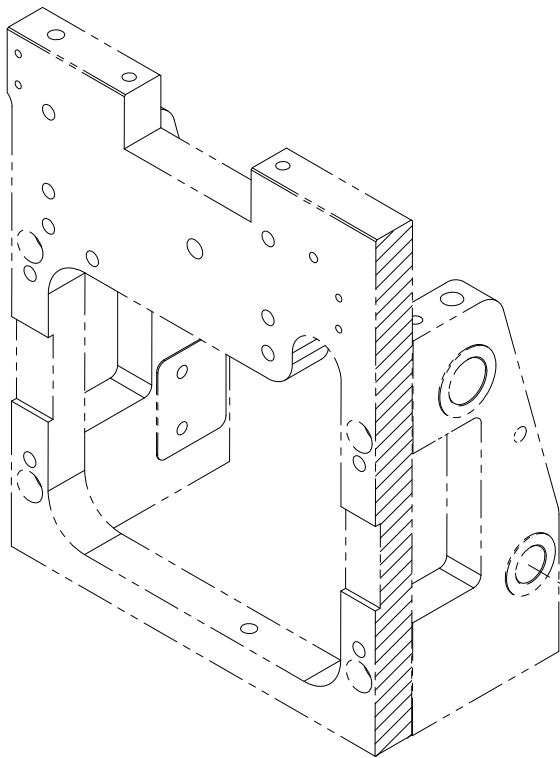
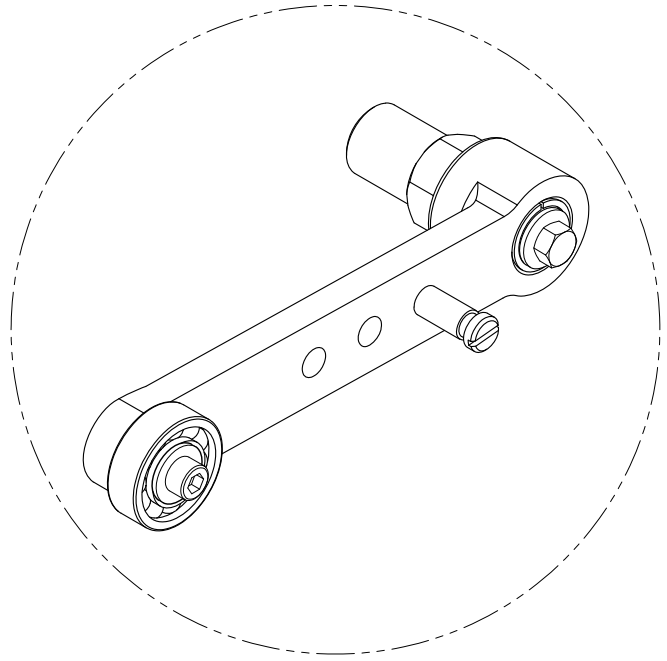
**1-3-2****ASSISTANT ROLLER ASS'Y****M7-1-320000****M7-1-320010**

REF. NO.	PART NO.	DESCRIPTION	Q'TY	REMARKS
1	M7-1-320000	Assistant Roller Ass'y (For 5-6mm)	1	
	M7-1-320010	Assistant Roller Ass'y (For 9mm)	1	
	M7-1-321100	Assistant Roller Bracket (For 5-6mm)	1	
	M7-1-321100S	Assistant Roller Bracket (Stainless Steel Model)(For 5-6mm)(Option)	1	
	M7-1-321110	Assistant Roller Bracket (For 9mm)	1	
	M7-1-321110S	Assistant Roller Bracket (Stainless Steel Model)(For 9mm)(Option)	1	
2	M7-1-321200	Shaft	2	
3	M7-1-321300	Assistant Roller Base	1	
4	M7-1-321400	Assistant Roller (For 5-6mm)	1	
	M7-1-321410	Assistant Roller (For 9mm)	1	
5	M7-1-321500	SQ8 Sensor Base	1	
6	M7-1-321600	Spacer	1	
11	BR686ZZ	Bearing, 686ZZ	2	
14	HBS0516N	HBS, M5×16 (N)	4	
16	HBS0525N	HBS, M5×25 (N)	2	
17	HBS0620N	HBS, M6×20 (N)	1	
21	SW05	SW, M5	6	
26	PW05	PW, M5	2	



**1-3-3****FEEDING ARM ASS'Y****M7-1-330000**

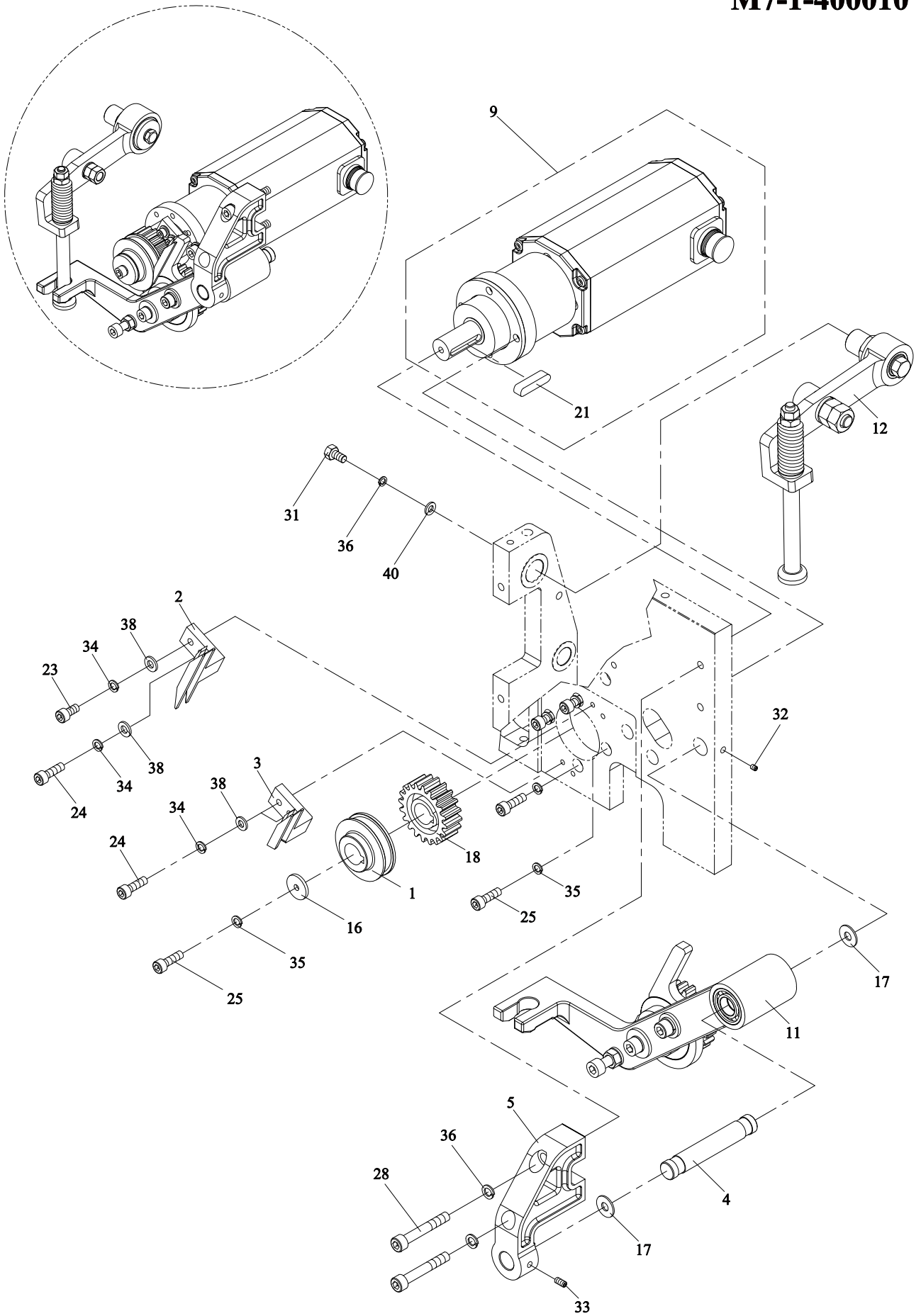
REF. NO.	PART NO.	DESCRIPTION	Q'TY	REMARKS
1	M7-1-331100	Feeding Arm	1	
2	M7-1-331200	Linkage	1	
3	M7-1-331300	Shaft	1	
4	M7-1-331400	Collar	1	
5	M7-1-331500	Spring Hook	1	
11	T7-1-64130	Return Spring	1	
14	BR6901ZZ	Bearing, 6901ZZ	2	
17	HBS0616N	HBS, M6×16 (N)	1	
18	HBS0640N	HBS, M6×40 (N)	1	
23	PMS0420	PMS, M4×20	1	
26	HN04	HN, M4	1	
27	HN06	HN, M6	3	
31	SW04	SW, M4	1	
32	SW06	SW, M6	3	
35	PW06C	PW, M6 (C)	1	



**1-3-4****RETRACTING ARM ASS'Y****M7-1-340000**

REF. NO.	PART NO.	DESCRIPTION	Q'TY	REMARKS
1	M7-1-341100	Retracting Arm	1	
2	M7-1-341200	Shaft	1	
6	TA-073	Spring Hook	1	
11	BR635ZZ	Bearing, 635ZZ	1	
14	MB1015	Metal Bush, 1015	1	
17	HBS0520N	HBS, M5×20 (N)	1	
21	HB0612	HB, M6×12	1	
24	SW05	SW, M5	1	
25	SW06	SW, M6	1	
29	PW05	PW, M5	2	
30	PW06B	PW, M6 (B)	1	





## 1-4

## TENSION GROUP

M7-1-400000

M7-1-400010

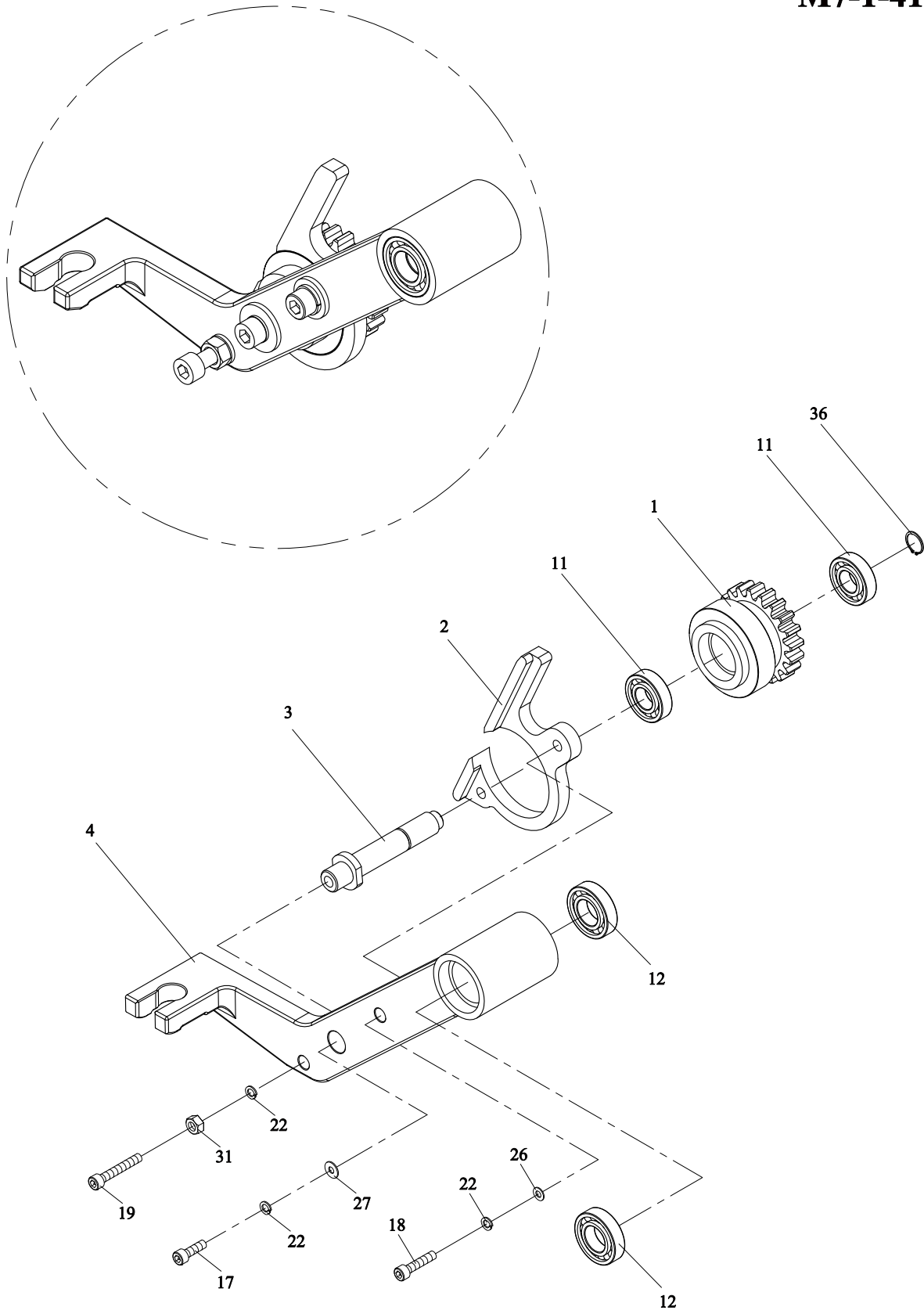
REF. NO.	PART NO.	DESCRIPTION	Q'TY	REMARKS
1	M7-1-400000	Tension Group (For 5-6mm)	1	
	M7-1-400010	Tension Group (For 9mm)	1	
	M7-1-401100	Tension Guide Wheel (For 5-6mm)	1	
	M7-1-401100S	Tension Guide Wheel (Stainless Steel Model) (For 5-6mm)(Option)	1	
	M7-1-401110	Tension Guide Wheel (For 9mm)	1	
	M7-1-401110S	Tension Guide Wheel (Stainless Steel Model) (For 9mm)(Option)	1	
2	M7-1-401200	Guide (For 5-6mm)	1	
	M7-1-401200S	Guide (Stainless Steel Model) (For 5-6mm) (Option)	1	
	M7-1-401210	Guide (For 9mm)	1	
	M7-1-401210S	Guide (Stainless Steel Model) (For 9mm) (Option)	1	
3	M7-1-401300	Tension Guide (For 5-6mm)	1	
	M7-1-401300S	Tension Guide (Stainless Steel Model) (For 5-6mm)(Option)	1	
	M7-1-401310	Tension Guide (For 9mm)	1	
	M7-1-401310S	Tension Guide (Stainless Steel Model) (For 9mm)(Option)	1	
4	M7-1-401400	Shaft	1	
5	M7-1-401500	Bracket	1	
9	M7-1-301100	M3 Motor	1	
11	M7-1-410000	Tension Crank Ass'y (For 5-6mm)	1	
	M7-1-410010	Tension Crank Ass'y (For 9mm)	1	
12	M7-1-420000	Tension Arm Ass'y	1	SEE PAGE C37
16	TB-223	Washer	1	
17	H42-1227	Washer	2	
18	T7-1-21110	Gear	1	
21	KYA050527	Key, 5×5×27	1	
23	HBS0412N	HBS, M4×12 (N)	1	
24	HBS0416N	HBS, M4×16 (N)	3	
25	HBS0516N	HBS, M5×16 (N)	5	
28	HBS0640HN	HBS, M6×40 (H)(N)	2	
31	HB0612	HB, M6×12	1	
32	HSS0506GN	HSS, M5×6 (G)(N)	1	
33	HSS0612GN	HSS, M6×12 (G)(N)	1	
34	SW04	SW, M4	4	
35	SW05	SW, M5	5	
36	SW06	SW, M6	3	
38	PW04	PW, M4	4	
40	PW06C	PW, M6 (C)	1	

1-4-1

TENSION CRANK ASS'Y

M7-1-410000

M7-1-410010



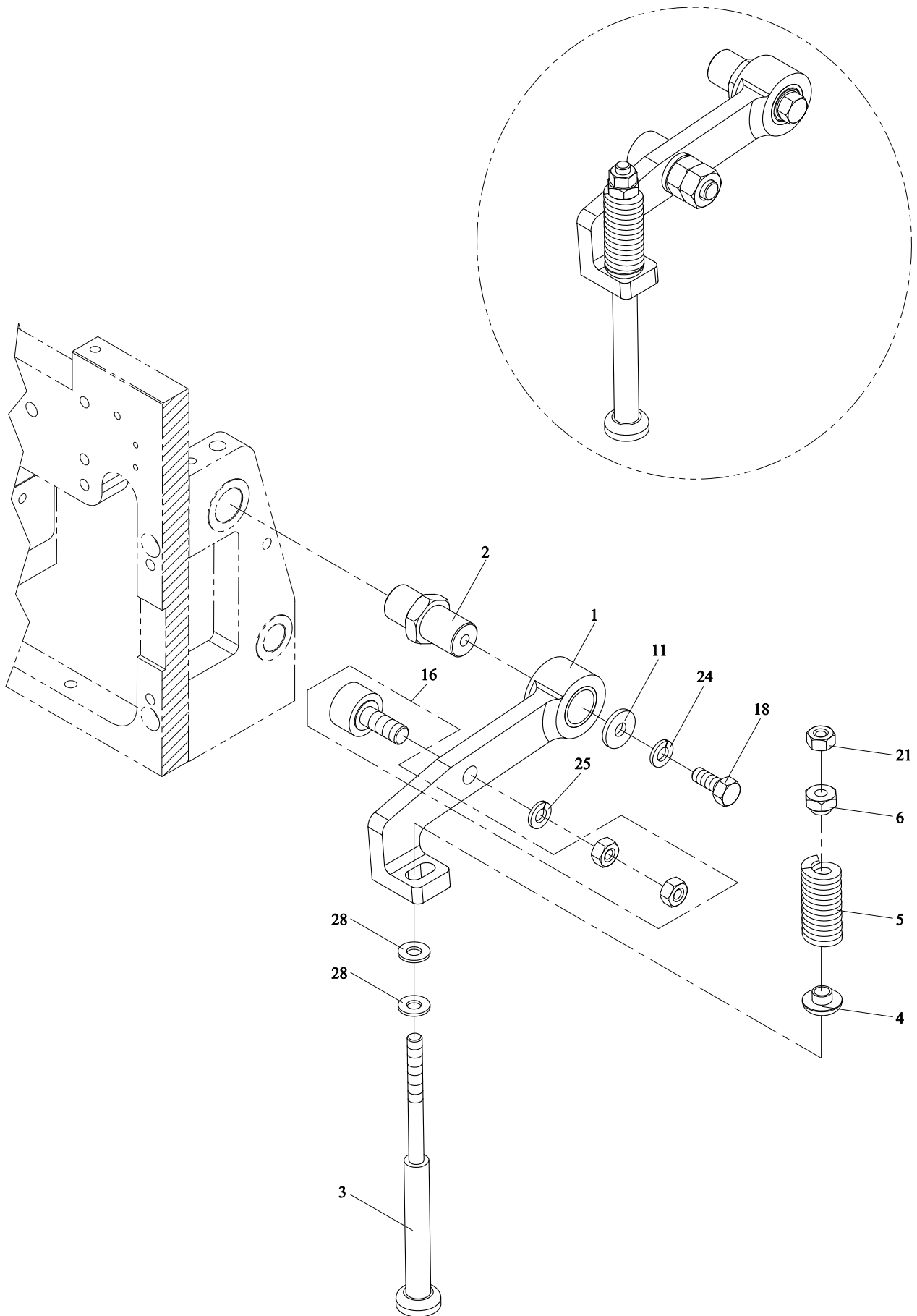
1-4-1

## TENSION CRANK ASS'Y

M7-1-410000

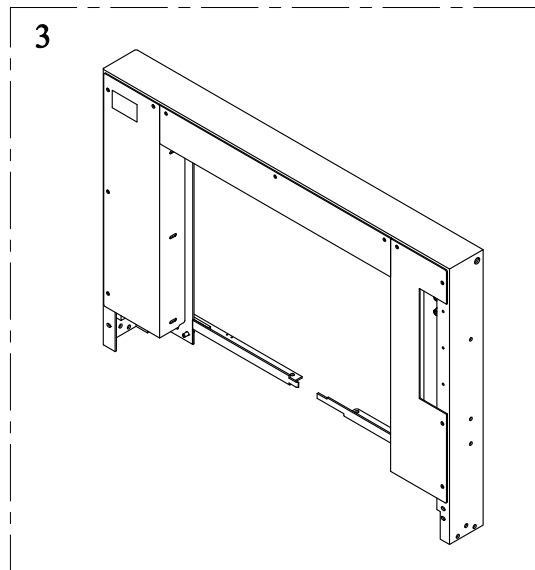
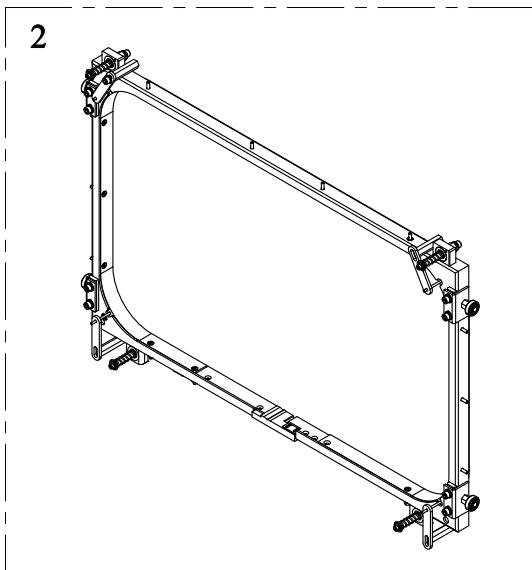
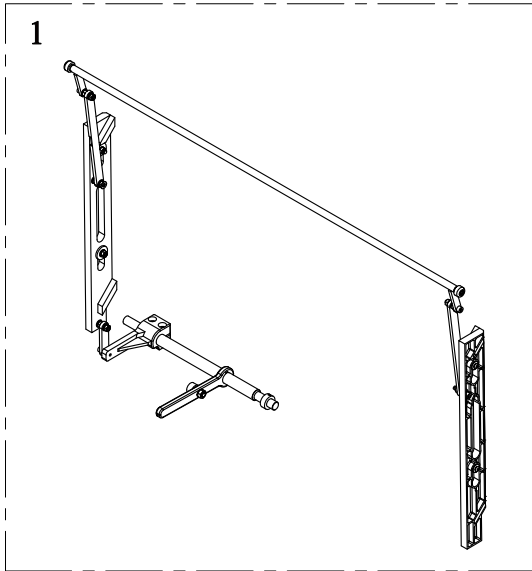
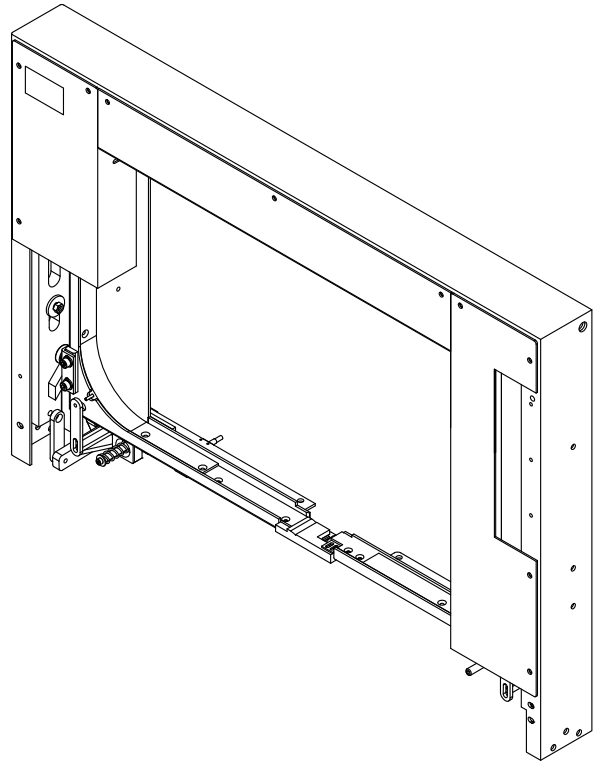
M7-1-410010

REF. NO.	PART NO.	DESCRIPTION	Q'TY	REMARKS
1	M7-1-410000	Tension Crank Ass'y (For 5-6mm)	1	
	M7-1-410010	Tension Crank Ass'y (For 9mm)	1	
	M7-1-411100	Assistant Roller (For 5-6mm)	1	
	M7-1-411100S	Assistant Roller (Stainless Steel Model) (For 5-6mm)(Option)	1	
	M7-1-411110	Assistant Roller (For 9mm)	1	
	M7-1-411110S	Assistant Roller (Stainless Steel Model) (For 9mm)(Option)	1	
2	M7-1-411200	Assistant Roller Housing (For 5-6mm)	1	
	M7-1-411200S	Assistant Roller Housing (Stainless Steel Model) (For 5-6mm)(Option)	1	
	M7-1-411210	Assistant Roller Housing (For 9mm)	1	
	M7-1-411210S	Assistant Roller Housing(Stainless Steel Model) (For 9mm)(Option)	1	
3	M7-1-411300	Shaft	1	
4	M7-1-411400	Tension Crank	1	
11	BR6900ZZ	Bearing, 6900ZZ	2	
12	BR6901ZZ	Bearing, 6901ZZ	2	
17	HBS0616N	HBS, M6×16 (N)	1	
18	HBS0630N	HBS, M6×30 (N)	1	
19	HBS0640N	HBS, M6×40 (N)	1	
22	SW06	SW, M6	3	
26	PW06A	PW, M6 (A)	1	
27	PW06C	PW, M6 (C)	1	
31	HN06	HN, M6	1	
36	SR08	Stop Ring, S-8	1	



**1-4-2****TENSION ARM ASS'Y****M7-1-420000**

REF. NO.	PART NO.	DESCRIPTION	Q'TY	REMARKS
1	M7-1-421100	Tension Arm	1	
2	M7-1-421200	Shaft	1	
3	M7-1-421300	Connecting Rod	1	
4	M7-1-421400	Spring Support	1	
5	M7-1-421500	Spring	1	
6	M7-1-421600	Nut	1	
11	TB-223	Washer	1	
16	BRCF8	Bearing, CF8	1	
18	HB0612	HB, M6×12	1	
21	HN06	HN, M6	1	
24	SW06	SW, M6	1	
25	SW08	SW, M8	1	
28	PW06A	PW, M6 (A)	2	



REF. NO.	PART NO.	DESCRIPTION	Q'TY	REMARKS
	M7-2-900000	Bandway Unit (For 5-6mm)	1	
	M7-2-900000S	Bandway Unit (Stainless Steel Model)(For 5-6mm)	1	
	M7-2-900010	Bandway Unit (For 9mm)	1	
	M7-2-900010S	Bandway Unit (Stainless Steel Model)(For 9mm)	1	
1	M7-2-100000	Arch Group	1	SEE PAGE C41
	M7-2-100000S	Arch Group (Stainless Steel Model)	1	
2	M7-2-200000	Bandway Group (For 5-6mm)	1	SEE PAGE C45
	M7-2-200000S	Bandway Group (Stainless Steel Model)(For 5-6mm)	1	
	M7-2-200010	Bandway Group (For 9mm)	1	
	M7-2-200010S	Bandway Group (Stainless Steel Model)(For 9mm)	1	
3	M7-2-300000	Arch Cover Group	1	SEE PAGE C49
	M7-2-300000S	Arch Cover Group (Stainless Steel Model)	1	