

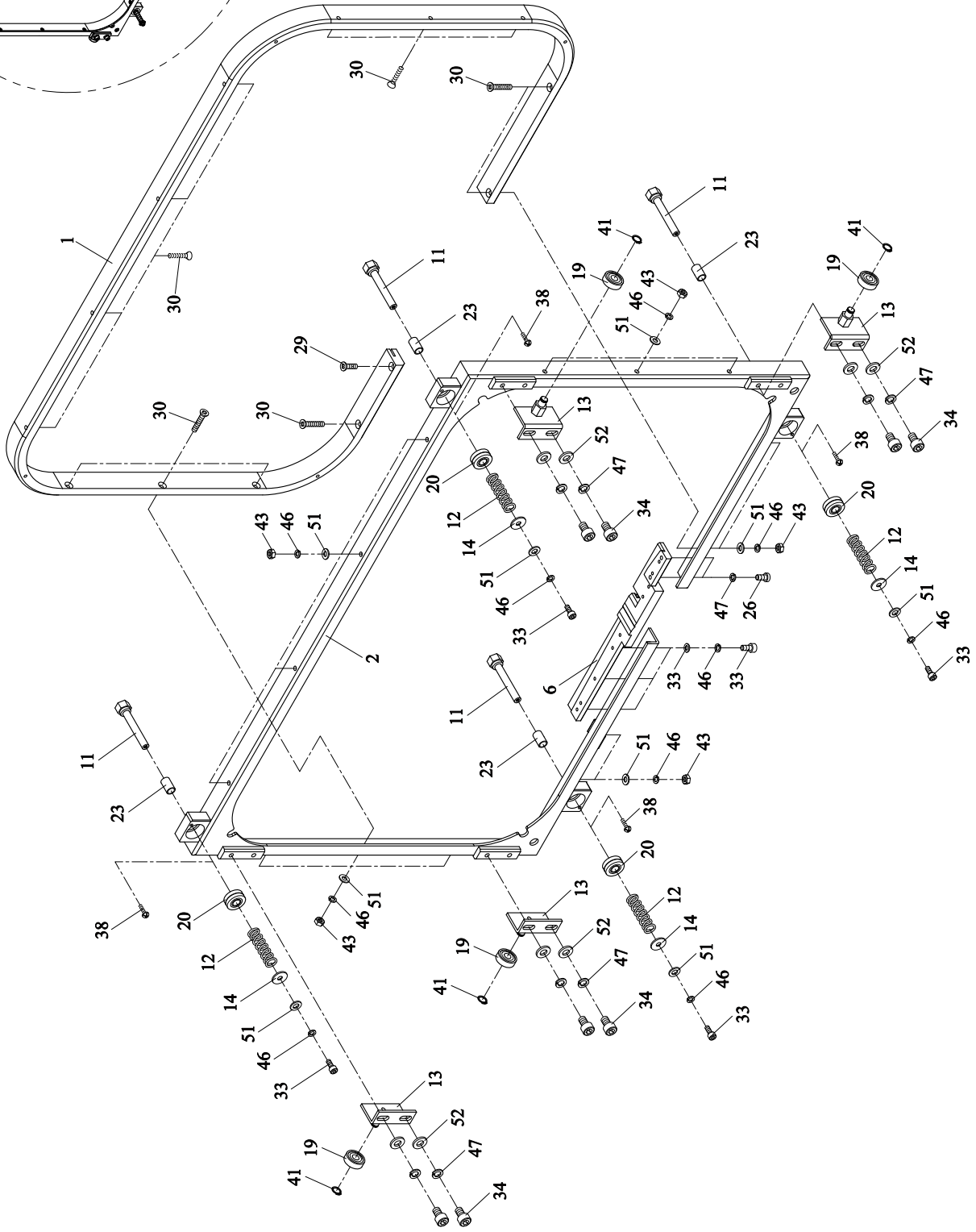
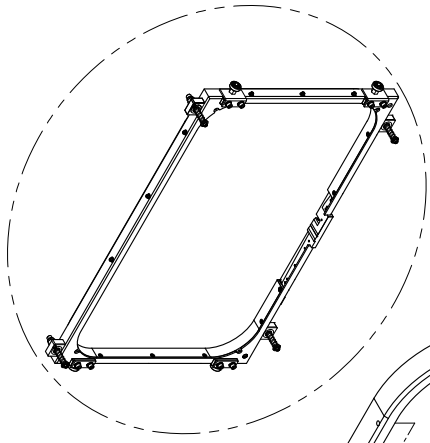
REF. NO.	PART NO.	DESCRIPTION	Q'TY	REMARKS
	M7-2-200000	Bandway Group (For 5-6mm)	1	
	M7-2-200000S	Bandway Group (Stainless Steel Model)(For 5-6mm)	1	
	M7-2-200010	Bandway Group (For 9mm)	1	
	M7-2-200010S	Bandway Group (Stainless Steel Model)(For 9mm)	1	
3	M7-2-201300	Cover (L)	1	
	M7-2-201300S	Cover (L) (Stainless Steel Model)(Option)	1	
4	M7-2-201400	Adjusting Plate	1	
	M7-2-201400S	Adjusting Plate (Stainless Steel Model)(Option)	1	
5	M7-2-201500	Cover (R)	1	
	M7-2-201500S	Cover (R) (Stainless Steel Model)(Option)	1	
11	M7-2-210000	Strap Track Frame Ass'y (For 5-6mm)	1	SEE PAGE C47
	M7-2-210000S	Strap Track Frame Ass'y (Stainless Steel Model)(For 5-6mm)	1	
	M7-2-210010	Strap Track Frame Ass'y (For 9mm)	1	
	M7-2-210010S	Strap Track Frame Ass'y (Stainless Steel Model)(For 9mm)	1	
16	T7-2-10190	Plate	4	
17	T7-2-10210	Pin	4	
	T7-2-10210S	Pin (Stainless Steel Model) (Option)	4	
18	T7-2-20130	Tube	4	
21	FMS0408	FMS, M4×8	4	
	FMS0408S	FMS, M4×8 (Stainless Steel Model)	4	
24	HBS0408N	HBS, M4×8 (N)	2	
	HBS0408S	HBS, M4×8 (Stainless Steel Model)	2	
25	HBS0616N	HBS, M6×16 (N)	7	
26	HBS0625N	HBS, M6×25 (N)	1	
27	THS0612N	THS, M6x12 (N)	2	
	THS0612S	THS, M6x12 (Stainless Steel Model)	2	
28	THS0616N	THS, M6x16 (N)	2	
	THS0616S	THS, M6x16 (Stainless Steel Model)	2	
31	NTE03	NTE, M3	8	
34	SW04	SW, M4	2	
	SW04S	SW, M4 (Stainless Steel Model)	2	
35	SW06	SW, M6	12	
36	SW06S	SW, M6 (Stainless Steel Model)	4	
39	PW06A	PW, M6 (A)	4	
40	PW06AS	PW, M6 (A) (Stainless Steel Model)	2	
41	PW06C	PW, M6 (C)	8	
42	PW06CS	PW, M6 (C) (Stainless Steel Model)	2	

2-2-1

STRAP TRACK FRAME ASS'Y

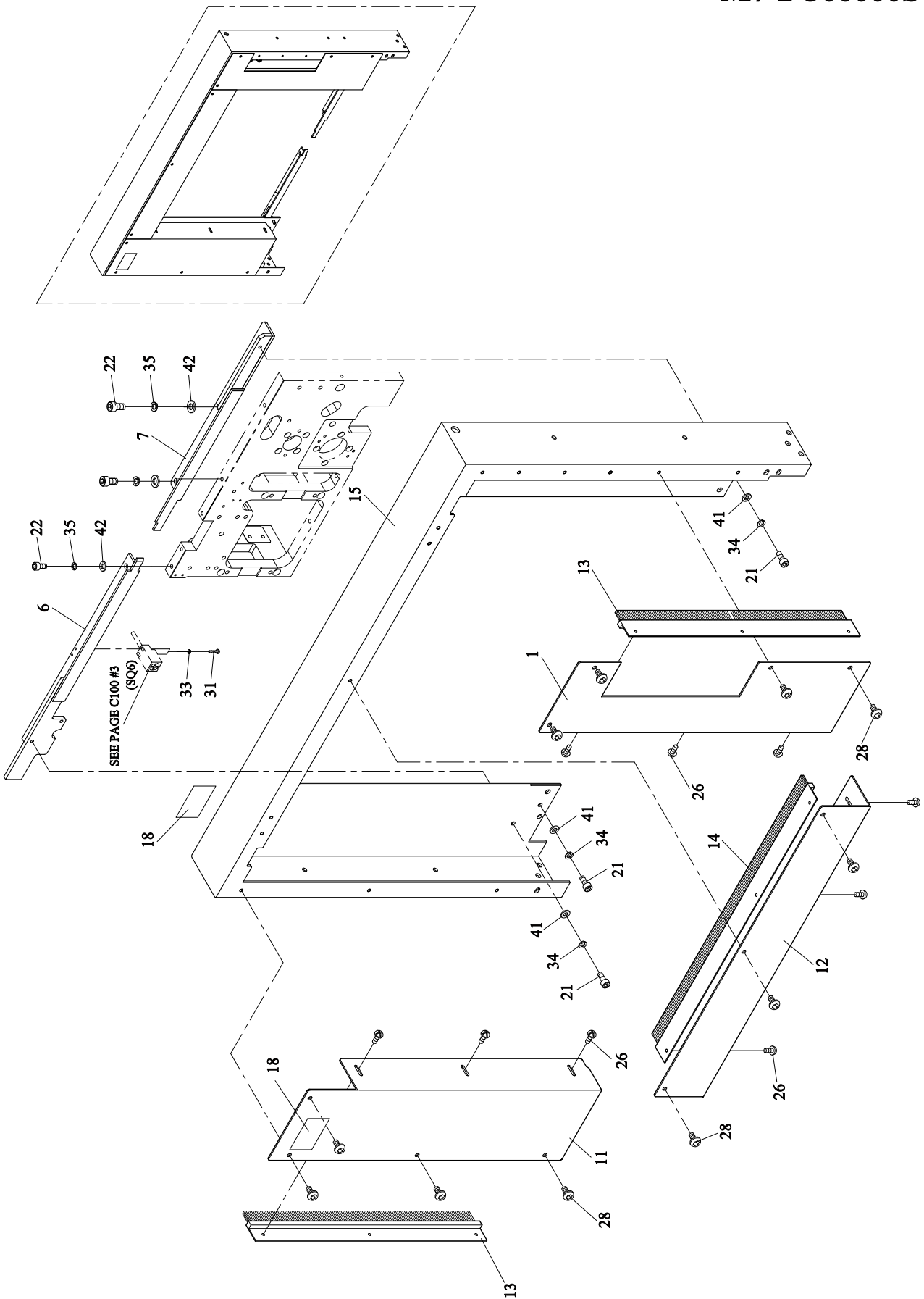
M7-2-210000

M7-2-210010

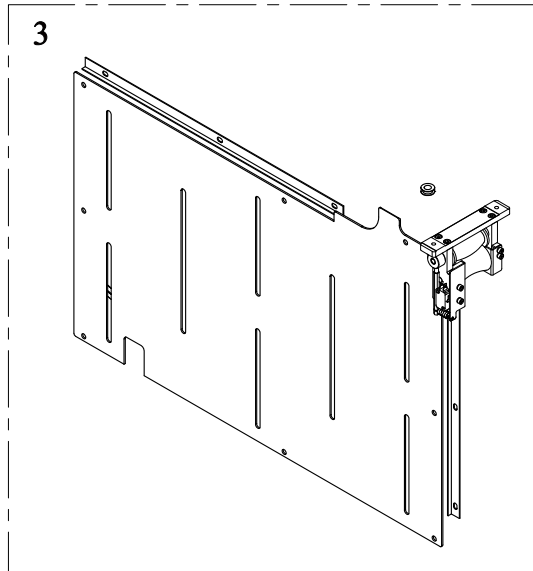
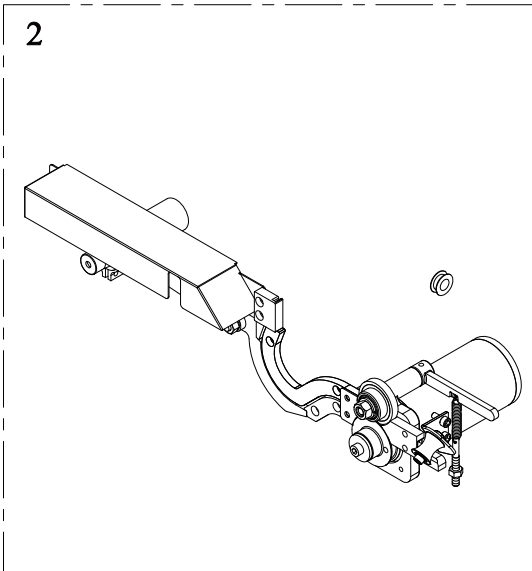
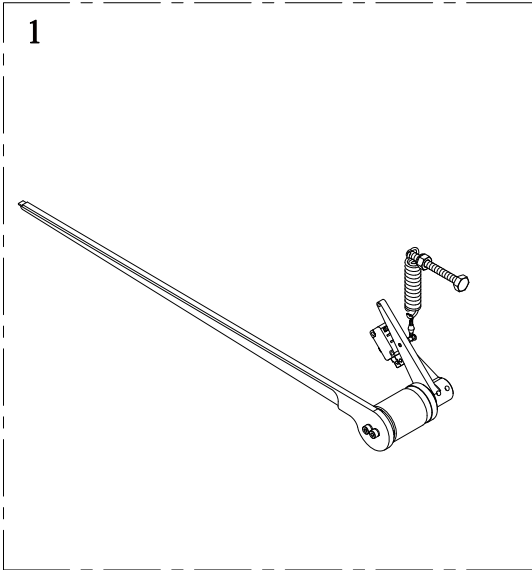
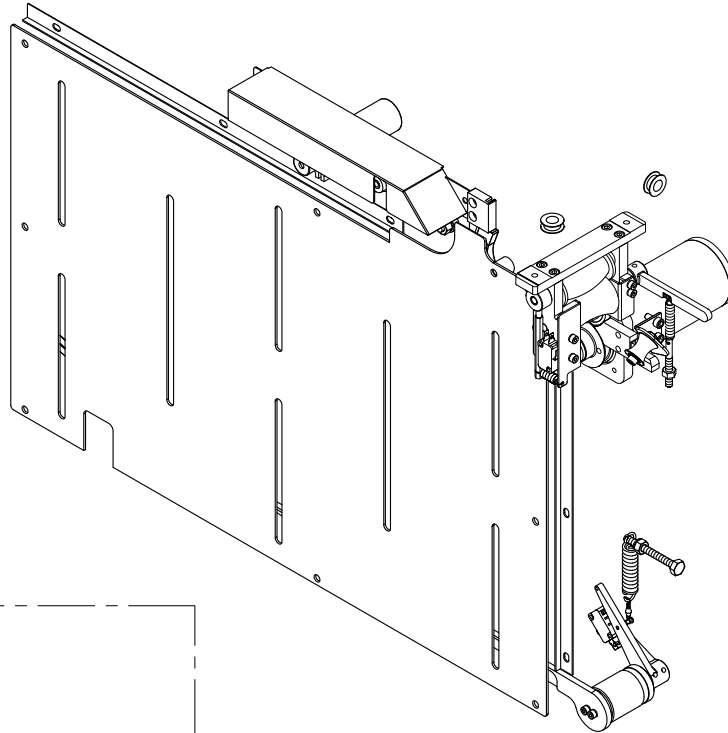


2-2-1**STRAP TRACK FRAME ASS'Y****M7-2-210000****M7-2-210010**

REF. NO.	PART NO.	DESCRIPTION	Q'TY	REMARKS
	M7-2-210000	Strap Track Frame Ass'y (For 5-6mm)	1	
	M7-2-210000S	Strap Track Frame Ass'y (Stainless Steel Model)(For 5-6mm)	1	
	M7-2-210010	Strap Track Frame Ass'y (For 9mm)	1	
	M7-2-210010S	Strap Track Frame Ass'y (Stainless Steel Model)(For 9mm)	1	
1	M7-2-201100	Strap Track (For 5-6mm)	1	
	M7-2-201110	Strap Track (For 9mm)	1	
2	M7-2-201200	Strap Track Frame	1	
	M7-2-201200S	Strap Track Frame (Stainless Steel Model)	1	
6	M7-2-201600	Track Frame Connector (For 5-6mm)	1	
	M7-2-201600S	Track Frame Connector (For 5-6mm) (Stainless Steel Model)	1	
	M7-2-201610	Track Frame Connector (For 9mm)	1	
	M7-2-201610S	Track Frame Connector (For 9mm)(Stainless Steel Model)	1	
11	T7-2-20160	Shaft	4	
	T7-2-20160S	Shaft (Stainless Steel Model)(Option)	4	
12	T7-2-20170	Spring	4	
	T7-2-20170S	Spring (Stainless Steel Model)(Option)	4	
13	T7-2-20180	Bracket	4	
14	T7-2-20380	Washer ($\phi 5 \times \phi 14$)	4	
19	BR608ZZ	Bearing, 608ZZ	4	
20	BRPB8	Bearing, PB8	4	
23	MB0816	Metal Bush, 0816	4	
26	HBL0512	HBL, M5×12	2	
29	FMS0420	FMS, M4×20	1	
30	FMS0425	FMS, M4×25	13	
33	HBS0412N	HBS, M4×12 (N)	7	
34	HBS0612N	HBS, M6×12 (N)	8	
38	TMS0408	TMS, M4×8	4	
41	SR08	Stop Ring, S-8	4	
43	HN04	HN, M4	14	
46	SW04	SW, M4	22	
47	SW05	SW, M5	2	
48	SW06	SW, M6	20	
51	PW04	PW, M4	22	
52	PW06C	PW, M6 (C)	16	



REF. NO.	PART NO.	DESCRIPTION	Q'TY	REMARKS
1	M7-2-300000	Arch Cover Group	1	
	M7-2-300000S	Arch Cover Group (Stainless Steel Model)	1	
	M7-2-301100	Arch Cover RH (For 400H)	1	
	M7-2-301100S	Arch Cover RH (Stainless Steel Model)(For 400H)	1	
6	M7-2-101100	Guide LH	1	
	M7-2-101100S	Guide LH (Stainless Steel Model)	1	
7	M7-2-101200	Guide RH	1	
	M7-2-101200S	Guide RH (Stainless Steel Model)	1	
11	T7-5-11111	Arch Cover LH (For 400H)	1	
	T7-5-11111S	Arch Cover LH (Stainless Steel Model)(For 400H)	1	
12	T7-5-11120	Arch Cover (Upper, For 550W)	1	
	T7-5-11120S	Arch Cover (Stainless Steel Model) (Upper, For 550W)	1	
13	T7-5-11141	Brush (Side, For 400H)	2	
14	T7-5-11150	Brush (Upper, For 550W)	1	
15	T7-5-10614	Arch	1	
	T7-5-10614S	Arch (Stainless Steel Model)	1	
18	LA-40005	Label	2	
21	HBS0512N	HBS, M5×12 (N)	3	
	HBS0512S	HBS, M5×12 (Stainless Steel Model)	3	
22	HBS0612N	HBS, M6×12 (N)	3	
26	TTP0412BN	TTP, M4x12 (B) (N)	9	
	TTP0412BS	TTP, M4x12 (B) (Stainless Steel Model)	9	
28	THS0508N	THS, M5x8 (N)	11	
	THS0508S	THS, M5x8 (Stainless Steel Model)	11	
31	PMS0320	PMS, M3×20 (Option)	2	
33	SW03	SW, M3 (Option)	2	
34	SW05	SW, M5	3	
35	SW06	SW, M6	3	
41	PW05	PW, M5	3	
42	PW06A	PW, M6 (A)	3	



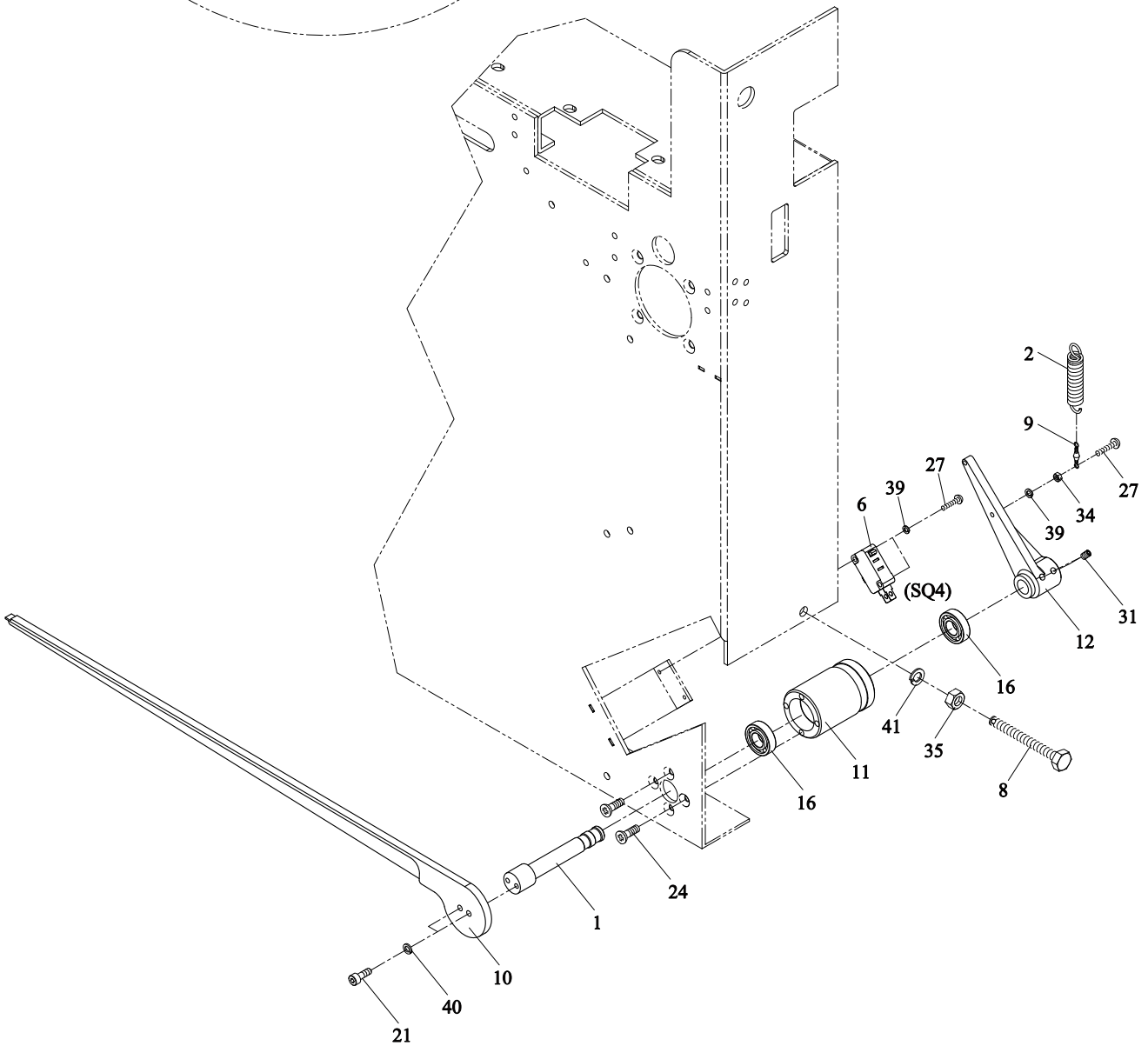
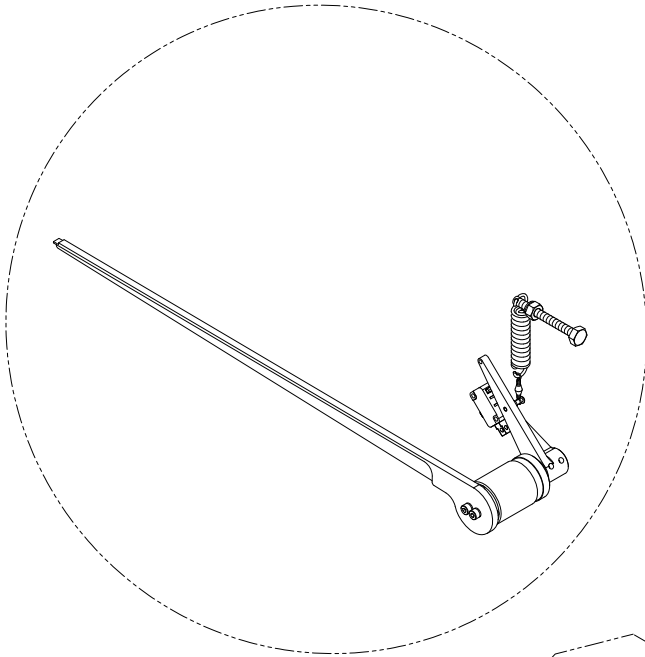
REF. NO.	PART NO.	DESCRIPTION	Q'TY	REMARKS
	M7-3-900000	Accumulator Unit (For 5-6mm)	1	
	M7-3-900000S	Accumulator Unit (Stainless Steel Model)(For 5-6mm)	1	
	M7-3-900010	Accumulator Unit (For 9mm)	1	
	M7-3-900010S	Accumulator Unit (Stainless Steel Model)(For 9mm)	1	
1	M7-3-100000	Strap Amount Control Group (For 5-6mm)	1	SEE PAGE C53
	M7-3-100010	Strap Amount Control Group (For 9mm)	1	
2	M7-3-200000	Auto Strap Feeding Group (For 5-6mm)	1	SEE PAGE C55
	M7-3-200010	Auto Strap Feeding Group (For 9mm)	1	
3	M7-3-300000	Accumulator Box Group (For 5-6mm)	1	SEE PAGE C65
	M7-3-300000S	Accumulator Box Group (Stainless Steel Model)(For 5-6mm)	1	
	M7-3-300010	Accumulator Box Group (For 9mm)	1	
	M7-3-300010S	Accumulator Box Group (Stainless Steel Model)(For 9mm)	1	

3-1

STRAP AMOUNT CONTROL GROUP

M7-3-100000

M7-3-100010



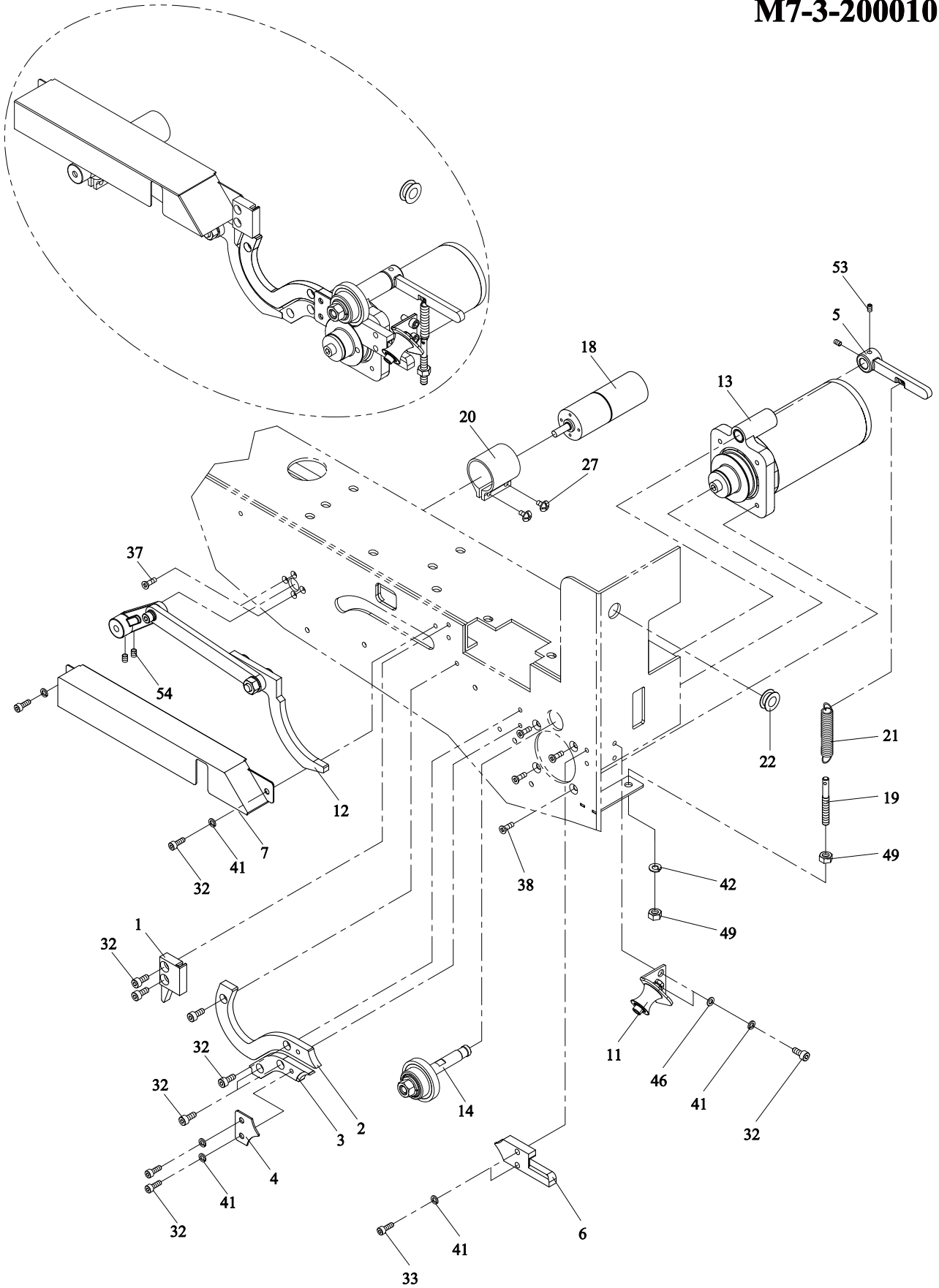
3-1

STRAP AMOUNT CONTROL GROUP

M7-3-100000

M7-3-100010

REF. NO.	PART NO.	DESCRIPTION	Q'TY	REMARKS
	M7-3-100000	Strap Amount Control Group (For 5-6mm)	1	
	M7-3-100010	Strap Amount Control Group (For 9mm)	1	
1	M7-3-101100	Shaft	1	
2	M7-3-101200	Spring	1	
6	TF-007	Micro Switch	1	
8	T6-3-10130	Accumulator Adjusting Bolt	1	
9	T6-3-10200	Twist Stopper	1	
10	T7-3-10140	Balance Bar (For 5-6mm)	1	
	T7-3-10141	Balance Bar (For 9mm)	1	
11	T7-3-10180	Tube	1	
12	T7-3-10200	Sensor Lever	1	
16	BR6900ZZ	Bearing, 6900ZZ	2	
21	HBS0408N	HBS, M4×8 (N)	2	
24	FMS0410	FMS, M4×10	4	
27	PMS0316	PMS, M3×16	3	
31	HSS0405GN	HSS, M4×5 (G)(N)	2	
34	HN03	HN, M3	1	
35	HN08	HN, M8	1	
39	SW03	SW, M3	3	
40	SW04	SW, M4	2	
41	SW08	SW, M8	1	



3-2

AUTO STRAP FEEDING GROUP

M7-3-200000

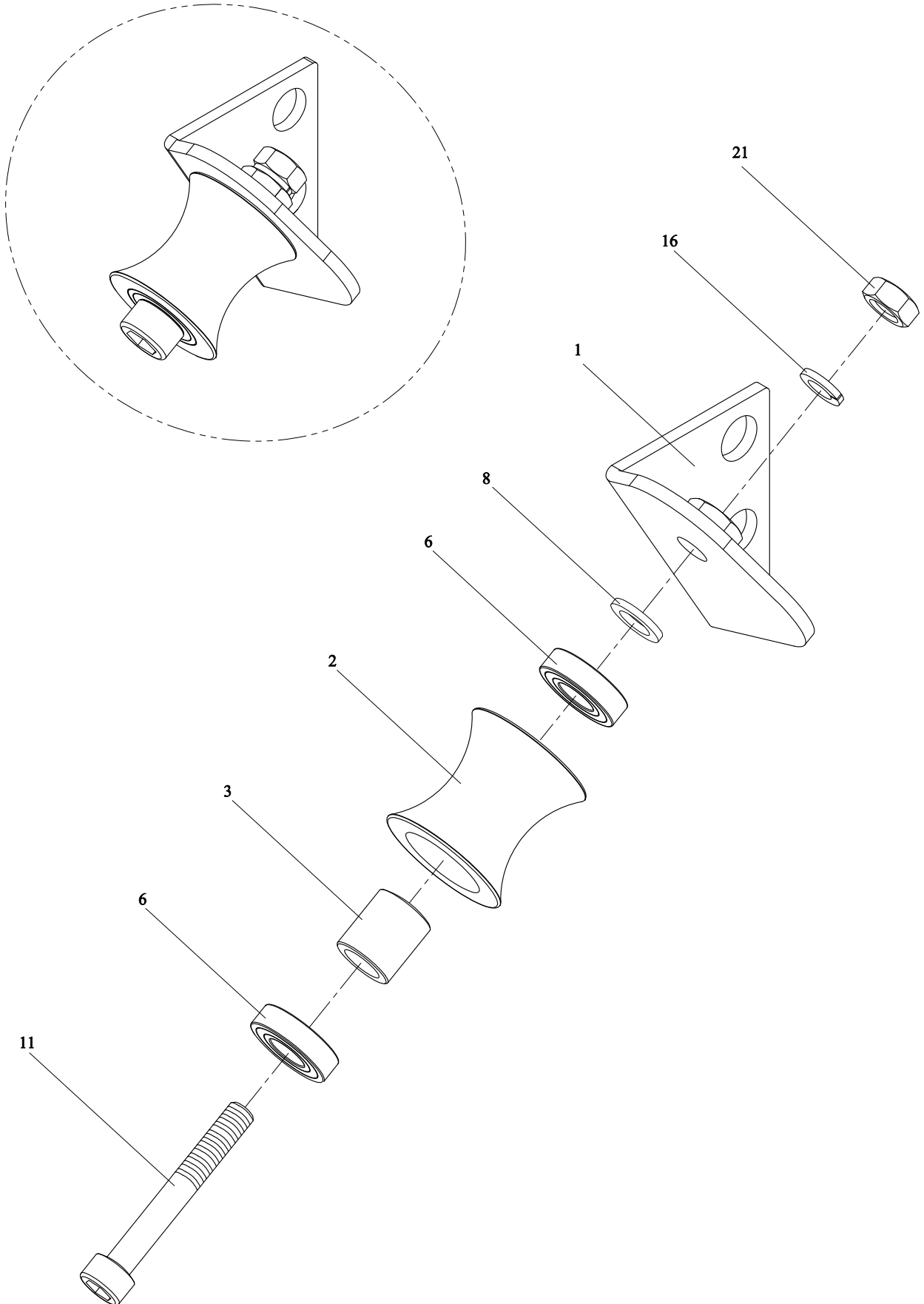
M7-3-200010

REF. NO.	PART NO.	DESCRIPTION	Q'TY	REMARKS
	M7-3-200000	Auto Strap Feeding Group (For 5-6mm)	1	
	M7-3-200010	Auto Strap Feeding Group (For 9mm)	1	
1	M7-3-201100	Guide Block (For 5-6mm)	1	
	M7-3-201110	Guide Block (For 9mm)	1	
2	M7-3-201200	Upper Strap Guide (For 5-6mm)	1	
	M7-3-201210	Upper Strap Guide (For 9mm)	1	
3	M7-3-201300	Lower Strap Guide (For 5-6mm)	1	
	M7-3-201310	Lower Strap Guide (For 9mm)	1	
4	M7-3-201400	Strap Guide Cover	1	
5	M7-3-201500	Lever	1	
6	M7-3-201600	Inlet Guide (For 5-6mm)	1	
	M7-3-201610	Inlet Guide (For 9mm)	1	
7	M7-3-201700	Cover	1	
11	M7-3-210000	Roller Ass'y	1	SEE PAGE C57
12	M7-3-220000	Movable Strap Guide Ass'y (For 5-6mm)	1	SEE PAGE C59
	M7-3-220010	Movable Strap Guide Ass'y (For 9mm)	1	
13	M7-3-230000	M4 Motor Ass'y (For 5-6mm)	1	SEE PAGE C61
	M7-3-230010	M4 Motor Ass'y (For 9mm)	1	
14	T7-3-20080	Assistant Roller Shaft Ass'y (For 5-6mm)	1	SEE PAGE C63
	T7-3-20081	Assistant Roller Shaft Ass'y (For 9mm)	1	
18	T6-1-61211	Motor (M5)	1	
19	T6-1-72130	Upper Adjusting Spring Rod	1	
20	T6-8-10410	Motor Cover	1	
21	T7-1-70280	Spring	1	
22	T5-4-10580	Grommet	1	
27	TMS0408	TMS, M4×8	2	
32	HBS0508N	HBS, M5×8 (N)	12	
33	HBS0520N	HBS, M5×20 (N) (For 5-6mm)	2	
	HBS0525N	HBS, M5×25 (N) (For 9mm)	2	
37	FMS0410	FMS, M4×10	4	
38	FMS0512	FMS, M5×12	4	
41	SW05	SW, M5	8	
42	SW06	SW, M6	1	
46	PW05	PW, M5	2	
49	HN06	HN, M6	2	
53	HSS0506GN	HSS, M5×6 (G)(N)	2	
54	HSS0508GN	HSS, M5×8 (G)(N)	2	

3-2-1

ROLLER ASS'Y

M7-3-210000

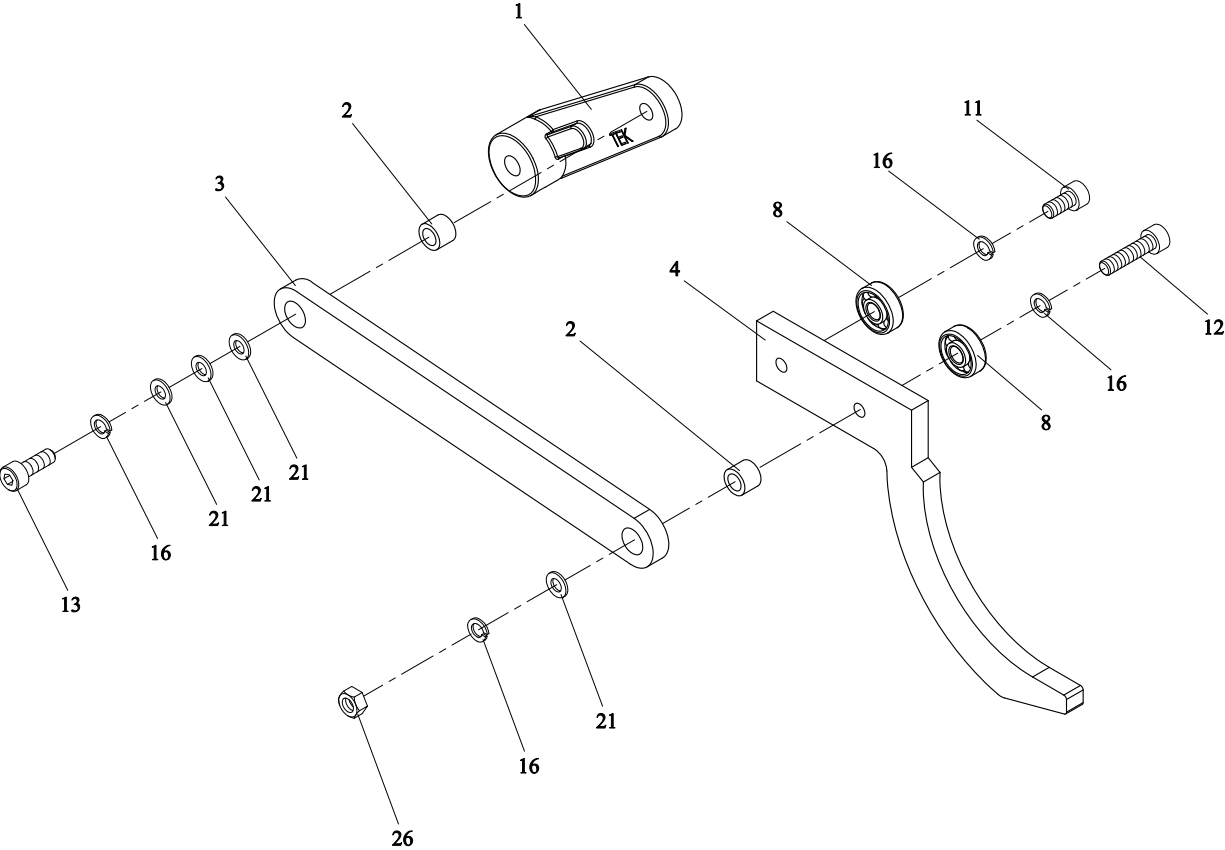
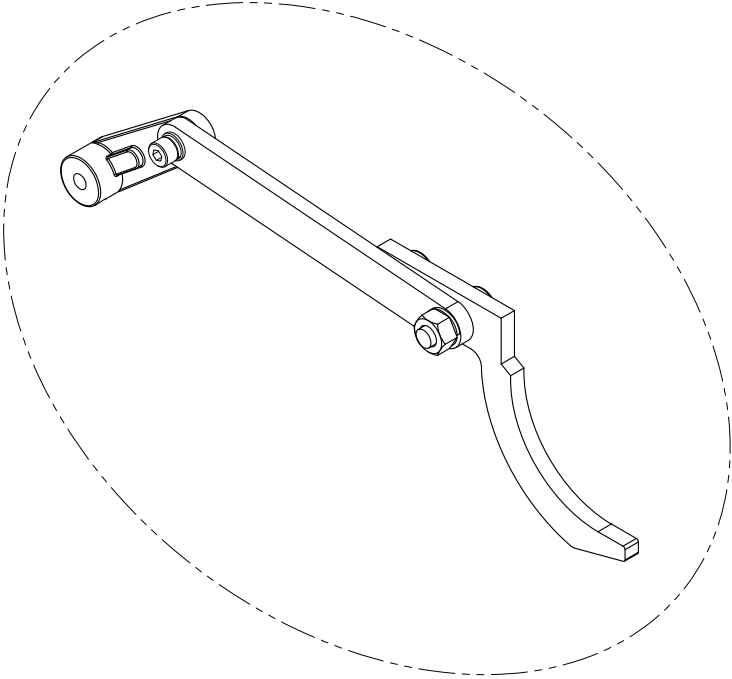


3-2-1**ROLLER ASS'Y****M7-3-21000**

REF. NO.	PART NO.	DESCRIPTION	Q'TY	REMARKS
1	M7-3-211100	Bracket	1	
2	M7-3-211200	Roller	1	
3	M7-3-211300	Collar	1	
6	BR686ZZ	Bearing, 686ZZ	2	
8	WA-010601	Washer (φ 6 \times φ 10 t=1)	1	
11	HBS0635HN	HBS, M6 \times 35 (H)(N)	1	
16	SW06	SW, M6	1	
21	HN06	HN, M6	1	

3-2-2

**MOVABLE STRAP GUIDE ASS'Y M7-3-220000
M7-3-220010**



3-2-2**MOVABLE STRAP GUIDE ASS'Y****M7-3-220000****M7-3-220010**

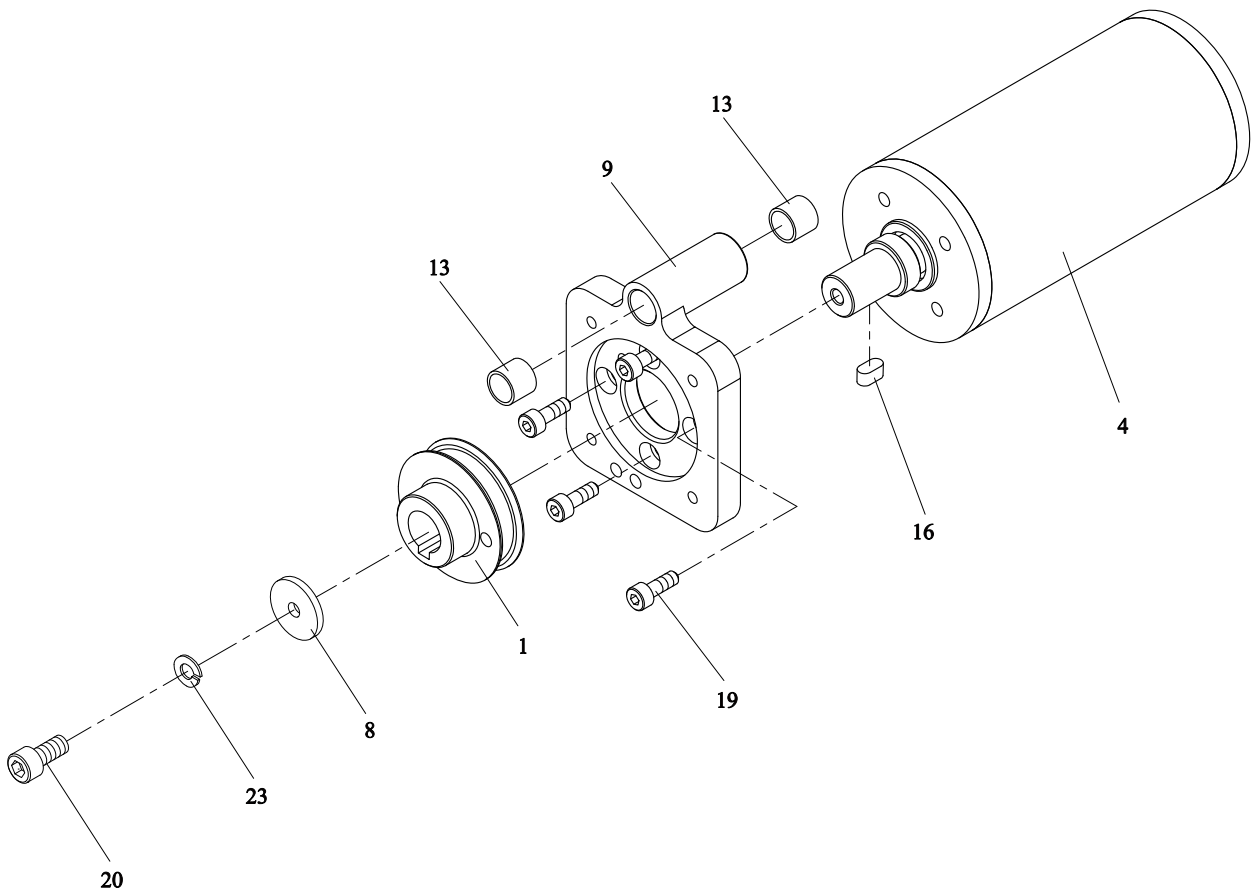
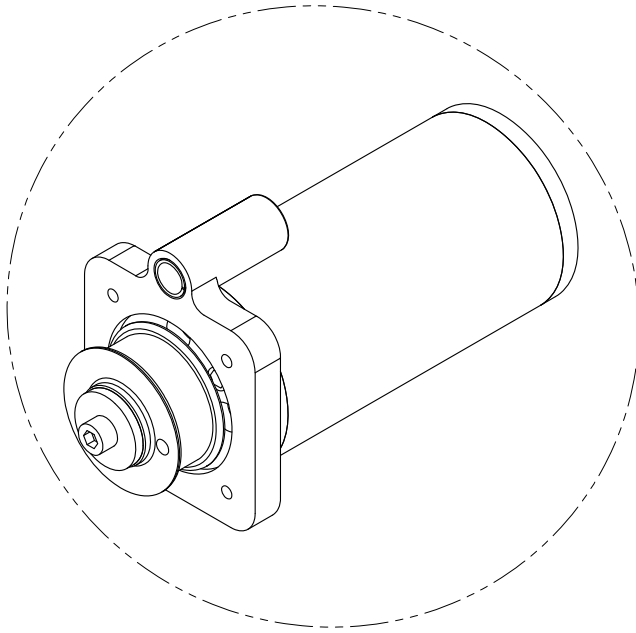
REF. NO.	PART NO.	DESCRIPTION	Q'TY	REMARKS
	M7-3-220000	Movable Strap Guide Ass'y (For 5-6mm)	1	
	M7-3-220010	Movable Strap Guide Ass'y (For 9mm)	1	
1	M7-3-221100	Rotary Arm	1	
2	M7-3-221200	Spacer	2	
3	M7-3-221300	Link	1	
4	M7-3-221400	Movable Strap Guide (For 5-6mm)	1	
	M7-3-221410	Movable Strap Guide (For 9mm)	1	
8	BR605ZZ	Bearing, 605ZZ	2	
11	HBS0512N	HBS, M5×12 (N)	1	
12	HBS0520N	HBS, M5×20 (N)	1	
13	HBS0516N	HBS, M5×16 (N)	1	
16	SW05	SW, M5	4	
21	PW05	PW, M5	4	
26	HN05	HN, M5	1	

3-2-3

M4 MOTOR ASS'Y

M7-3-230000

M7-3-230010



3-2-3**M4 MOTOR ASS'Y****M7-3-230000****M7-3-230010**

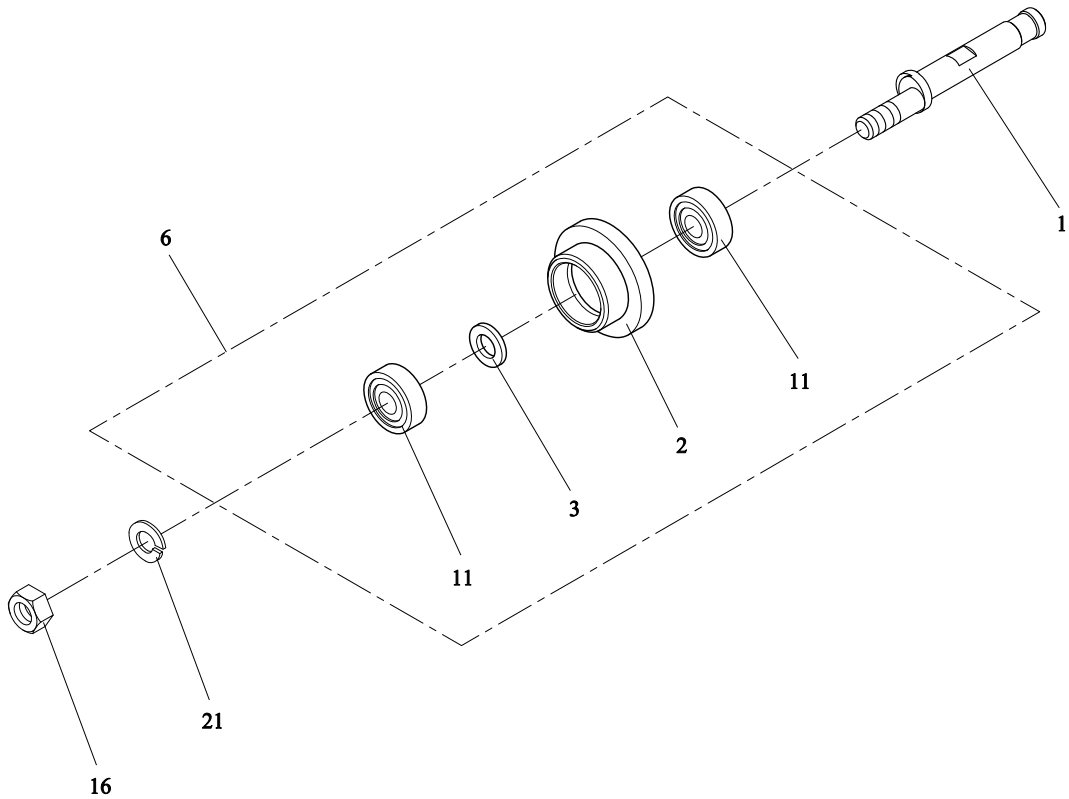
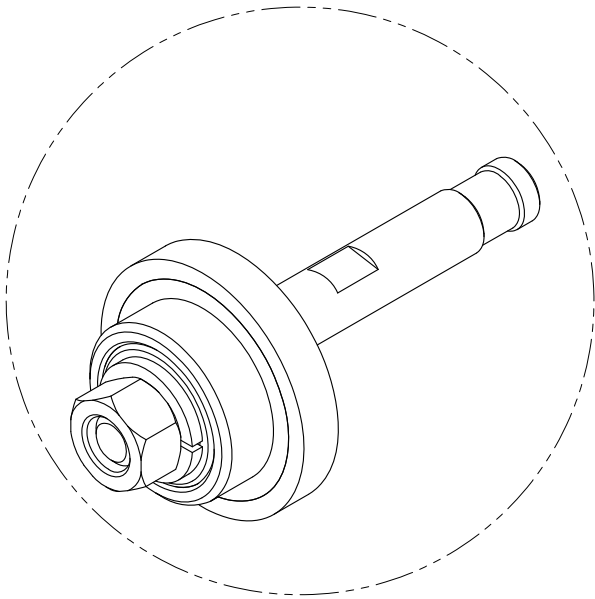
REF. NO.	PART NO.	DESCRIPTION	Q'TY	REMARKS
1	M7-3-230000	M4 Motor Ass'y (For 5-6mm)	1	
	M7-3-230010	M4 Motor Ass'y (For 9mm)	1	
	M7-3-231100	Accumulator Main Roller (For 5-6mm)	1	
	M7-3-231110	Accumulator Main Roller (For 9mm)	1	
4	M7-3-230100	M4 Motor Set	1	
8	TB-223	Washer	1	
9	T7-3-20110	Motor Support	1	
13	MB1010	Metal Bush, 1010	2	
16	KYA050515	Key, 5×5×15	1	
19	HBS0512N	HBS, M5×12 (N)	4	
20	HBS0612N	HBS, M6×12 (N)	1	
23	SW06	SW, M6	2	

3-2-4

ASSISTANT ROLLER SHAFT ASS'Y

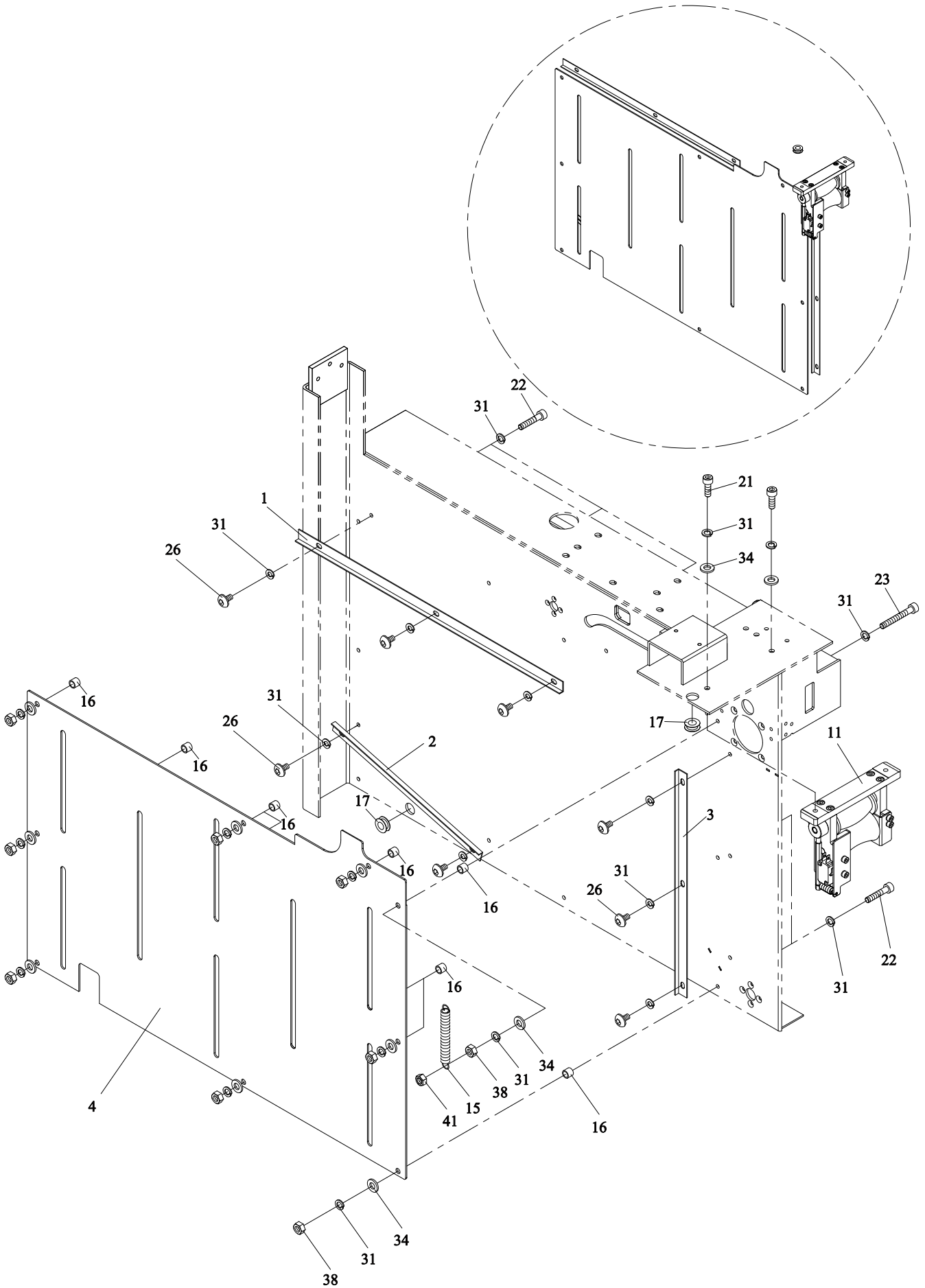
T7-3-20080

T7-3-20081



3-2-4**ASSISTANT ROLLER SHAFT ASS'Y****T7-3-20080****T7-3-20081**

REF. NO.	PART NO.	DESCRIPTION	Q'TY	REMARKS
1	T7-3-20080	Assistant Roller Shaft Ass'y (For 5-6mm)	1	
	T7-3-20081	Assistant Roller Shaft Ass'y (For 9mm)	1	
	T7-3-20150	Shaft	1	
	T7-3-20160	Assistant Roller (For 5-6mm)	1	
	T7-3-20162	Assistant Roller (For 9mm)	1	
3	T7-3-20200	Spacer	1	
6	T7-3-20100	Assistant Roller Ass'y (For 5-6mm)	1	
	T7-3-20101	Assistant Roller Ass'y (For 9mm)	1	
11	BR608ZZ	Bearing, 608ZZ	2	
16	HN08	HN, M8	1	
21	SW08	SW, M8	1	



3-3

ACCUMULATOR BOX GROUP

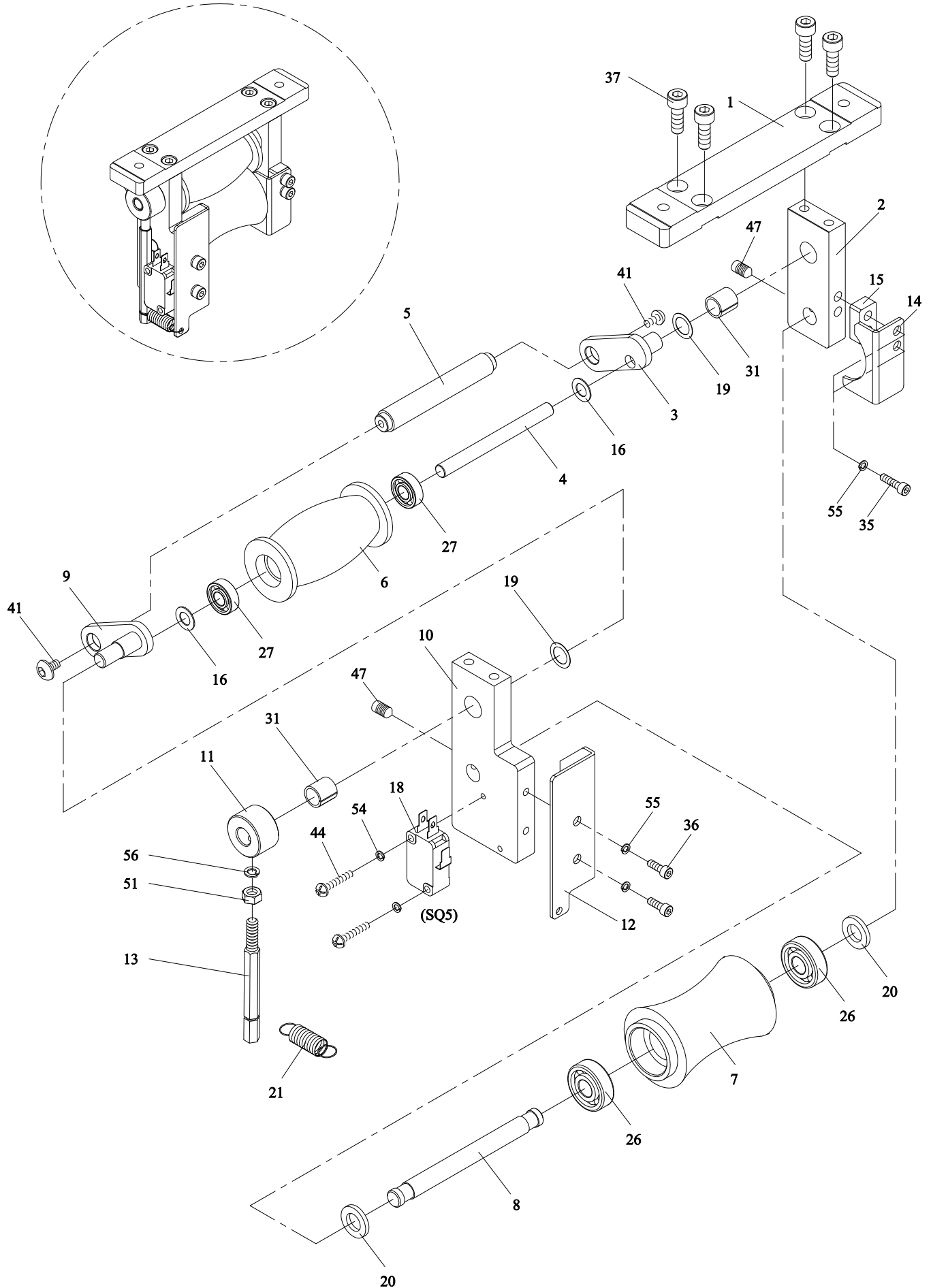
M7-3-300000

M7-3-300010

REF. NO.	PART NO.	DESCRIPTION	Q'TY	REMARKS
	M7-3-300000	Accumulator Box Group (For 5-6mm)	1	
	M7-3-300000S	Accumulator Box Group (Stainless Steel Model)(For 5-6mm)	1	
	M7-3-300010	Accumulator Box Group (For 9mm)	1	
	M7-3-300010S	Accumulator Box Group (Stainless Steel Model)(For 9mm)	1	
1	M7-3-301100	Enclosed Plate (For 5-6mm)	1	
	M7-3-301110	Enclosed Plate (For 9mm)	1	
2	M7-3-301200	Enclosed Plate (For 5-6mm)	1	
	M7-3-301210	Enclosed Plate (For 9mm)	1	
3	M7-3-301300	Enclosed Plate (For 5-6mm)	1	
	M7-3-301310	Enclosed Plate (For 9mm)	1	
4	M7-3-301400	Accumulator Box Cover	1	
	M7-3-301400S	Accumulator Box Cover (Stainless Steel Model)	1	
11	M7-3-310000	Auto Strap Ejecting Ass'y	1	SEE PAGE C67
15	TC-025	Spring	1	
16	T7-3-10260	Collar (For 5-6mm)	9	
	T7-3-10262	Collar (For 9mm)	9	
17	T5-4-10580	Grommet	2	
21	HBS0616N	HBS, M6×16 (N)	2	
22	HBS0620N	HBS, M6×20 (N) (For 5-6mm)	8	
	HBS0625N	HBS, M6×25 (N) (For 9mm)	8	
23	HBS0640N	HBS, M6×40 (N)	1	
26	THS0608N	THS, M6×8 (N)	8	
31	SW06	SW, M6	20	
34	PW06A	PW, M6 (A)	12	
38	HN06	HN, M6	9	
41	NTE06	NTE, M6	1	

3-3-1

AUTO STRAP EJECTING ASS'Y M7-3-310000



3-3-1

AUTO STRAP EJECTING ASS'Y

M7-3-31000

REF. NO.	PART NO.	DESCRIPTION	Q'TY	REMARKS
1	M7-3-311100	Roller Base	1	
2	M7-3-311200	Right Bracket	1	
3	M7-3-311300	Right Rack	1	
4	M7-3-311400	Shaft	1	
5	M7-3-311500	Shaft	1	
6	M7-3-311600	Upper Roller	1	
7	M7-3-311700	Roller	1	
8	M7-3-311800	Shaft	1	
9	M7-3-311900	Left Rack	1	
10	M7-3-312000	Left Bracket	1	
11	M7-3-312100	Collar	1	
12	M7-3-312200	Left Cover	1	
13	M7-3-312300	Lever	1	
14	M7-3-312400	Right Cover	1	
15	M7-3-312500	Spacer	1	
16	WA-010602	Washer ($\phi 6.2 \times \phi 11$ $t=0.5$)	2	
18	TF-007	Micro Switch	1	
19	H45-10250	Washer	2	
20	T7-3-20200	Spacer	2	
21	T7-3-40480	Spring	1	
26	BR608ZZ	Bearing, 608ZZ	2	
27	BR696ZZ	Bearing, 696ZZ	2	
31	MB0810	Metal Bush, 0810	2	
35	HBS0416N	HBS, M4×16 (N)	2	
36	HBS0412N	HBS, M4×12 (N)	2	
37	HBS0512N	HBS, M5×12 (N)	4	
41	THS0508N	THS, M5×8 (N)	2	
44	PMS0316	PMS, M3×16	2	
47	HSS0508GN	HSS, M5×8 (G)(N)	2	
51	HN05	HN, M5	1	
54	SW03	SW, M3	2	
55	SW04	SW, M4	4	
56	SW05	SW, M5	1	