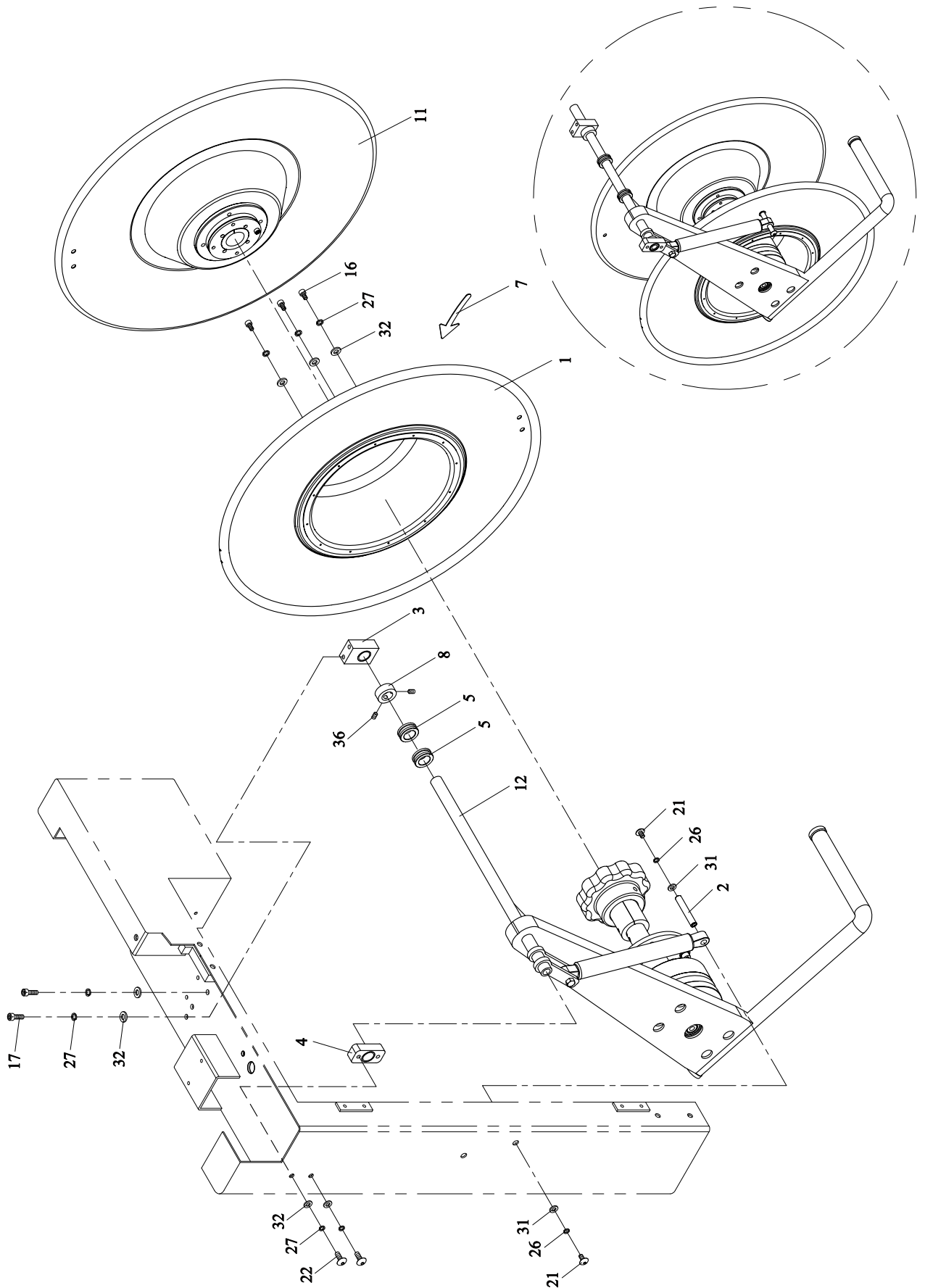


REEL CONTROL GROUP**M7-4-100000****M7-4-100010**

REF. NO.	PART NO.	DESCRIPTION	Q'TY	REMARKS
	M7-4-100000	Reel Control Group (For 200mm)	1	SEE PAGE C71
	M7-4-100010	Reel Control Group (For 150mm)(Option)	1	



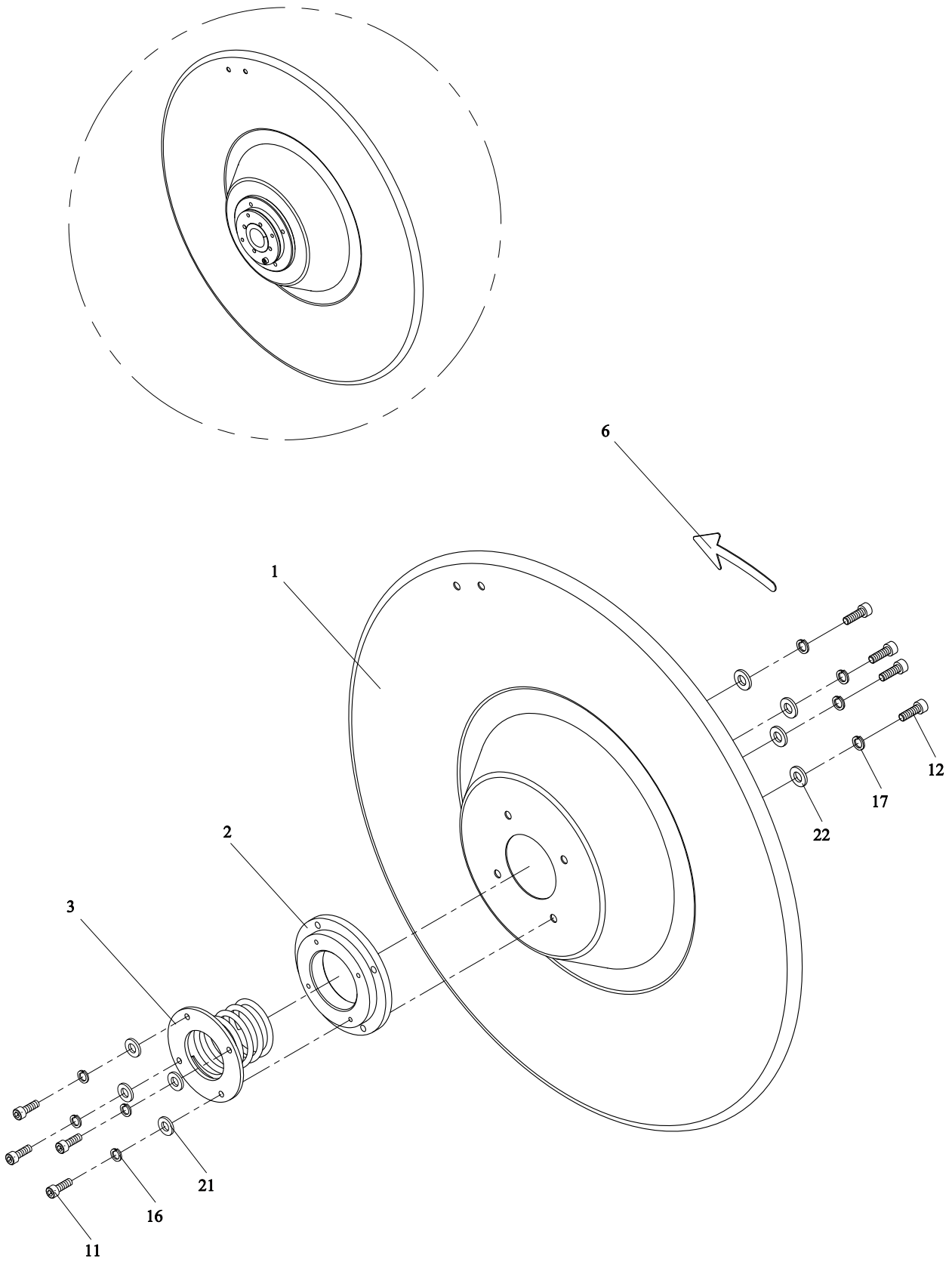
REF. NO.	PART NO.	DESCRIPTION	Q'TY	REMARKS
	M7-4-100000	Reel Control Group (For 200mm)	1	
	M7-4-100010	Reel Control Group (For 150mm) (Option)	1	
1	M7-4-101100	Inner Flange (For 200mm)	1	
	T7-4-10112	Inner Flange (For 150mm) (Option)	1	
2	M7-4-101200	Shaft	1	
3	M7-4-101300	Base (L)	1	
4	M7-4-101400	Base (R)	1	
5	M7-4-101500	Collar	2	
7	LA-30240	Label	1	
8	M7-1-101600	Collar	1	
11	M7-4-110000	Outer Flange Ass'y (For 200mm)	1	SEE PAGE C73
	M7-4-110010	Outer Flange Ass'y (For 150mm) (Option)	1	
12	M7-4-120000	Reel Crank Ass'y	1	SEE PAGE C75
16	HBS0610N	HBS, M6×10 (N)	4	
17	HBS0616N	HBS, M6×16 (N)	2	
21	THS0508N	THS, M5×8 (N)	2	
22	THS0612N	THS, M6×12 (N)	2	
26	SW05	SW, M5	2	
27	SW06	SW, M6	8	
31	PW05	PW, M5	2	
32	PW06A	PW, M6 (A)	8	
36	HSS0606GN	HSS, M6×6 (G)(N)	2	

4-1-1

OUTER FLANGE ASS'Y

M7-4-110000

M7-4-110010



4-1-1**OUTER FLANGE ASS'Y****M7-4-110000****M7-4-110010**

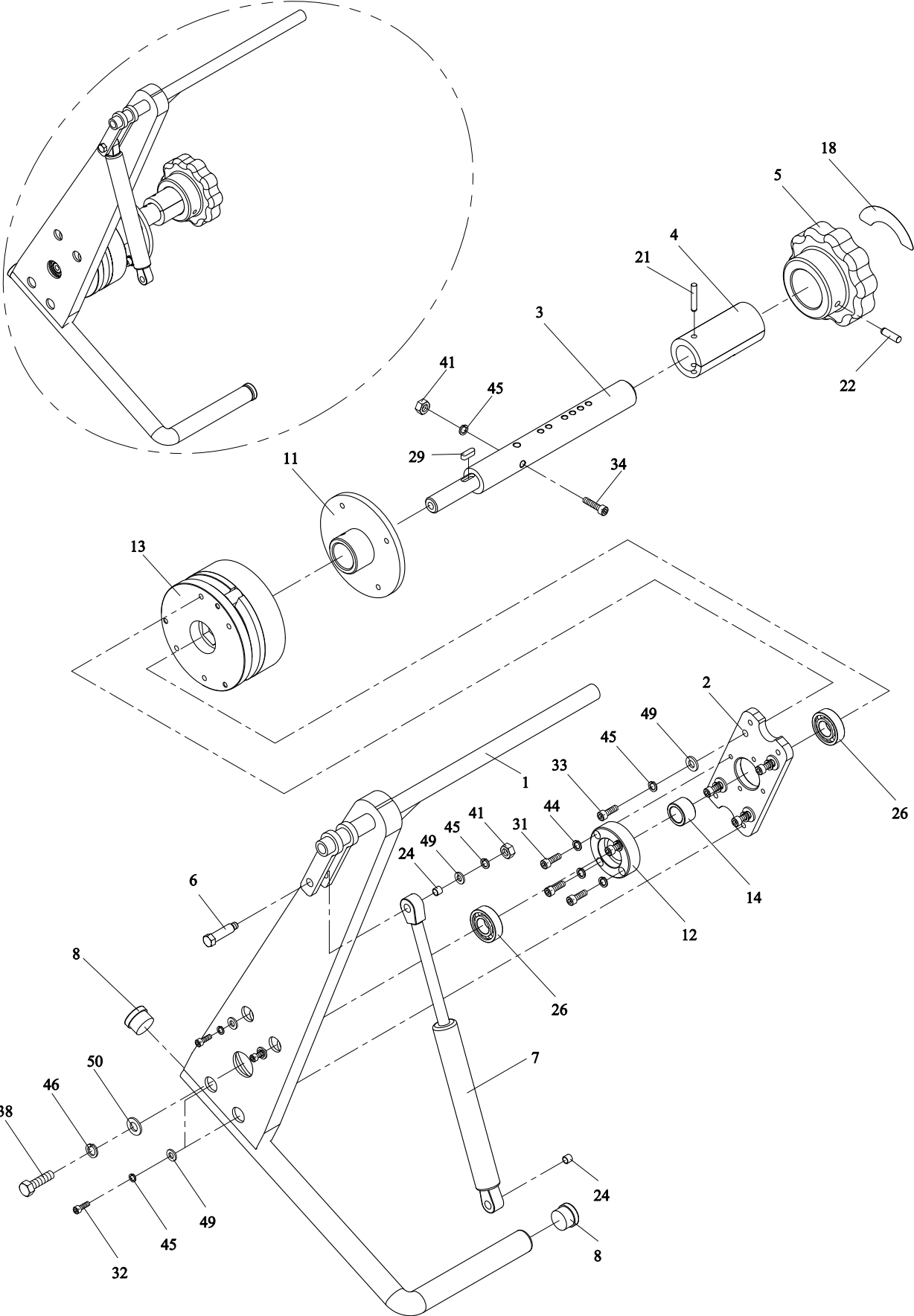
REF. NO.	PART NO.	DESCRIPTION	Q'TY	REMARKS
1	M7-4-110000	Outer Flange Ass'y (For 200mm)	1	
	M7-4-110010	Outer Flange Ass'y (For 150mm) (Option)	1	
	M7-4-111100	Outer Flange (For 200mm)	1	
	T7-4-10122	Outer Flange (For 150mm) (Option)	1	
2	M7-4-111200	Plate	1	
3	M7-4-111300	Spring	1	
6	LA-30240	Label	1	
11	HBS0416N	HBS, M4×16 (N)	4	
12	HBS0610N	HBS, M6×10 (N)	4	
16	SW04	SW, M4	4	
17	SW06	SW, M6	4	
21	PW04	PW, M4	4	
22	PW06A	PW, M6 (A)	4	

4-1-2

REEL CRANK ASS'Y

M7-4-120000

M7-4-120010



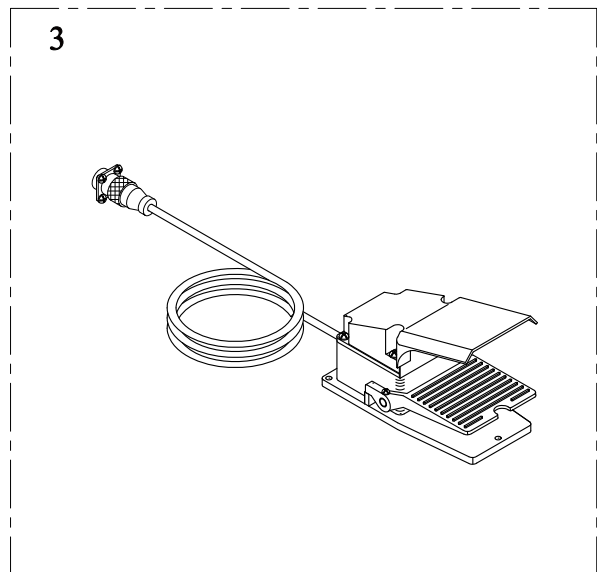
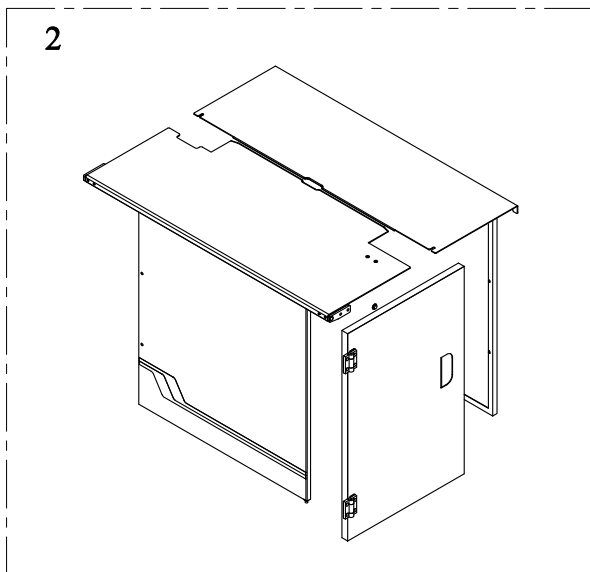
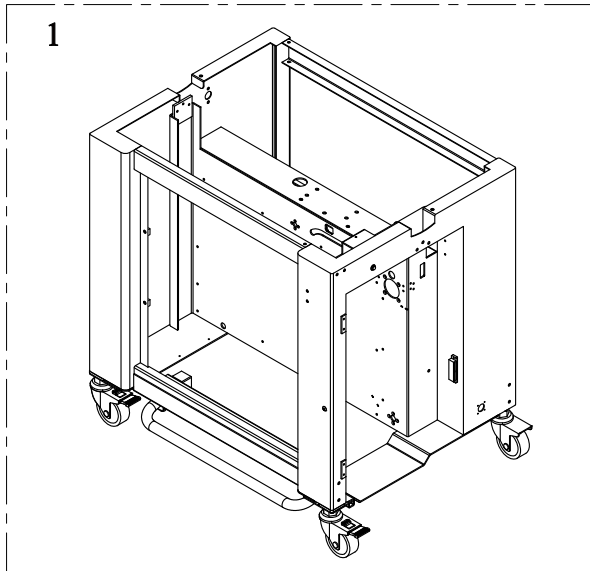
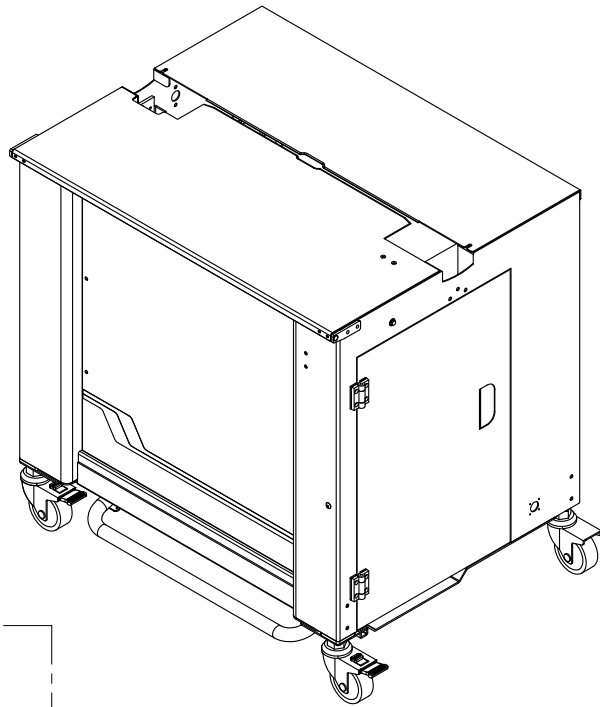
4-1-2

REEL CRANK ASS'Y

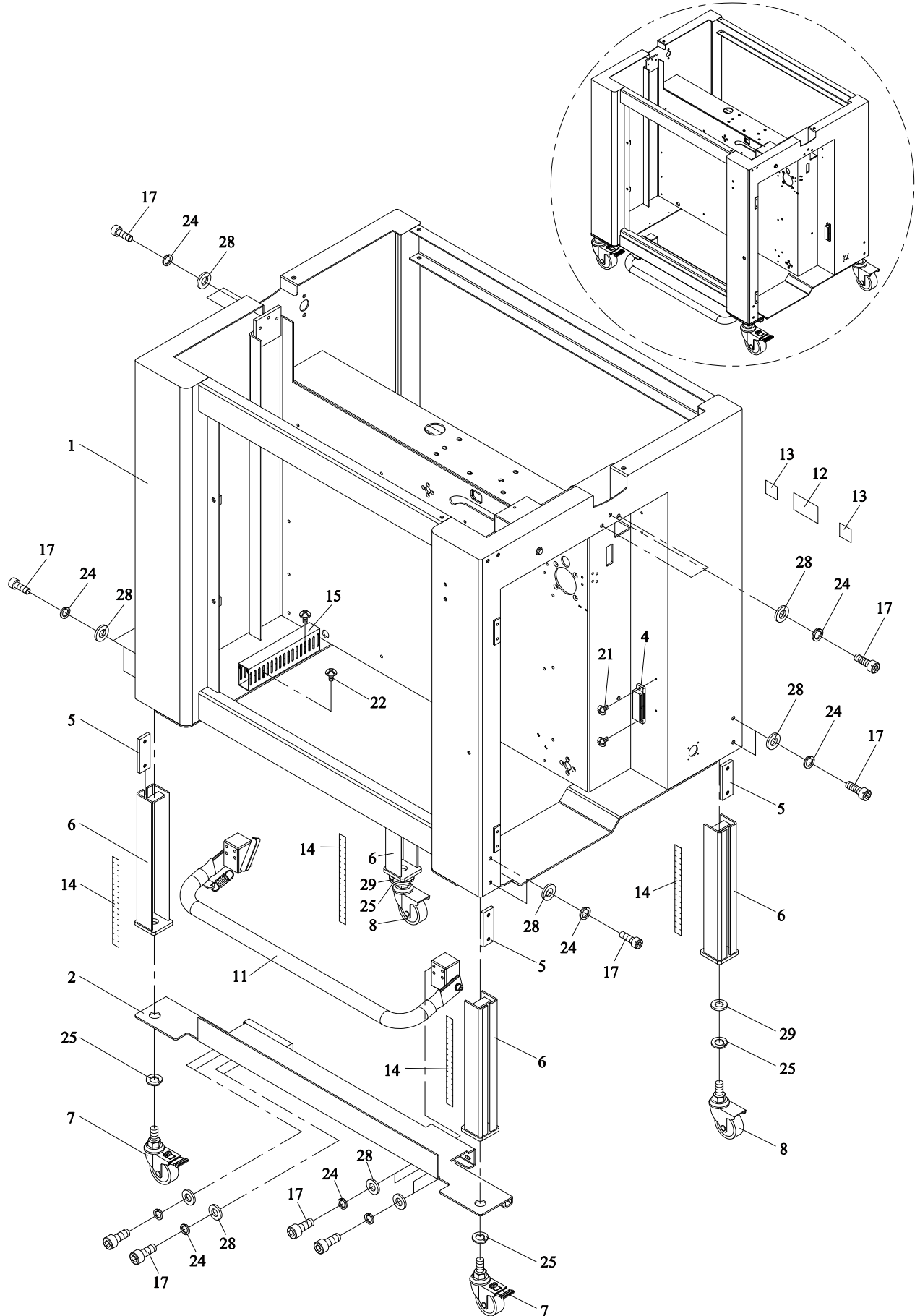
M7-4-120000

M7-4-120010

REF. NO.	PART NO.	DESCRIPTION	Q'TY	REMARKS
	M7-4-120000	Reel Crank Ass'y (For 200mm)	1	
	M7-4-120010	Reel Crank Ass'y (For 150mm) (Option)	1	
1	M7-4-121100	Reel Crank	1	
2	M7-4-121200	Support	1	
3	M7-4-121300	Shaft (For 200mm)	1	
	M7-4-121310	Shaft (For 150mm)	1	
4	M7-4-121400	Shaft	1	
5	M7-4-121500	Reel Nut Handle	1	
6	M7-4-121600	Bolt	1	
7	M7-4-121700	Gas Spring	1	
8	M7-4-121800	Lid	2	
11	T7-4-10140	Plate	1	
12	T7-4-20160	Bearing Support	1	
13	T7-4-20170	Brake For Reel	1	
14	T7-4-20320	Spacer	1	
18	LA-30230	Label	1	
21	MSA0535	Lock Pin, ϕ 5×35	1	
22	MSA0620	Lock Pin, ϕ 6×20	1	
24	MB0812	Metal Bush, 0812	2	
26	BR6002ZZ	Bearing, 6002ZZ	2	
29	KYA050515	Key, 5×5×15	1	
31	HBS0516N	HBS, M5×16 (N)	4	
32	HBS0616N	HBS, M6×16 (N)	4	
33	HBS0620N	HBS, M6×20 (N)	4	
34	HBS0645N	HBS, M6×45 (N)	1	
38	HBW0820L	HBW, M8×20 (LH)	1	
41	HN06	HN, M6	2	
44	SW05	SW, M5	4	
45	SW06	SW, M6	10	
46	SW08	SW, M8	1	
49	PW06A	PW, M6 (A)	9	
50	PW08C	PW, M8 (C)	1	



REF. NO.	PART NO.	DESCRIPTION	Q'TY	REMARKS
	M7-5-900000	Body Frame Unit (For 5-6mm)	1	
	M7-5-900000S	Body Frame Unit (Stainless Steel Model)(For 5-6mm)	1	
	M7-5-900010	Body Frame Unit (For 9mm)	1	
	M7-5-900010S	Body Frame Unit (Stainless Steel Model)(For 9mm)	1	
1	M7-5-100000	Foot Bar Group	1	SEE PAGE C79
	M7-5-100000S	Foot Bar Group (Stainless Steel Model)	1	
2	M7-5-200000	Cover Group (For 5-6mm)	1	SEE PAGE C83
	M7-5-200000S	Cover Group (Stainless Steel Model)(For 5-6mm)	1	
	M7-5-200010	Cover Group (For 9mm)	1	
	M7-5-200010S	Cover Group (Stainless Steel Model)(For 9mm)	1	
3	T7-6-40001	Pedal Control Set (Option)	1	SEE PAGE C89



5-1

FOOT BAR GROUP

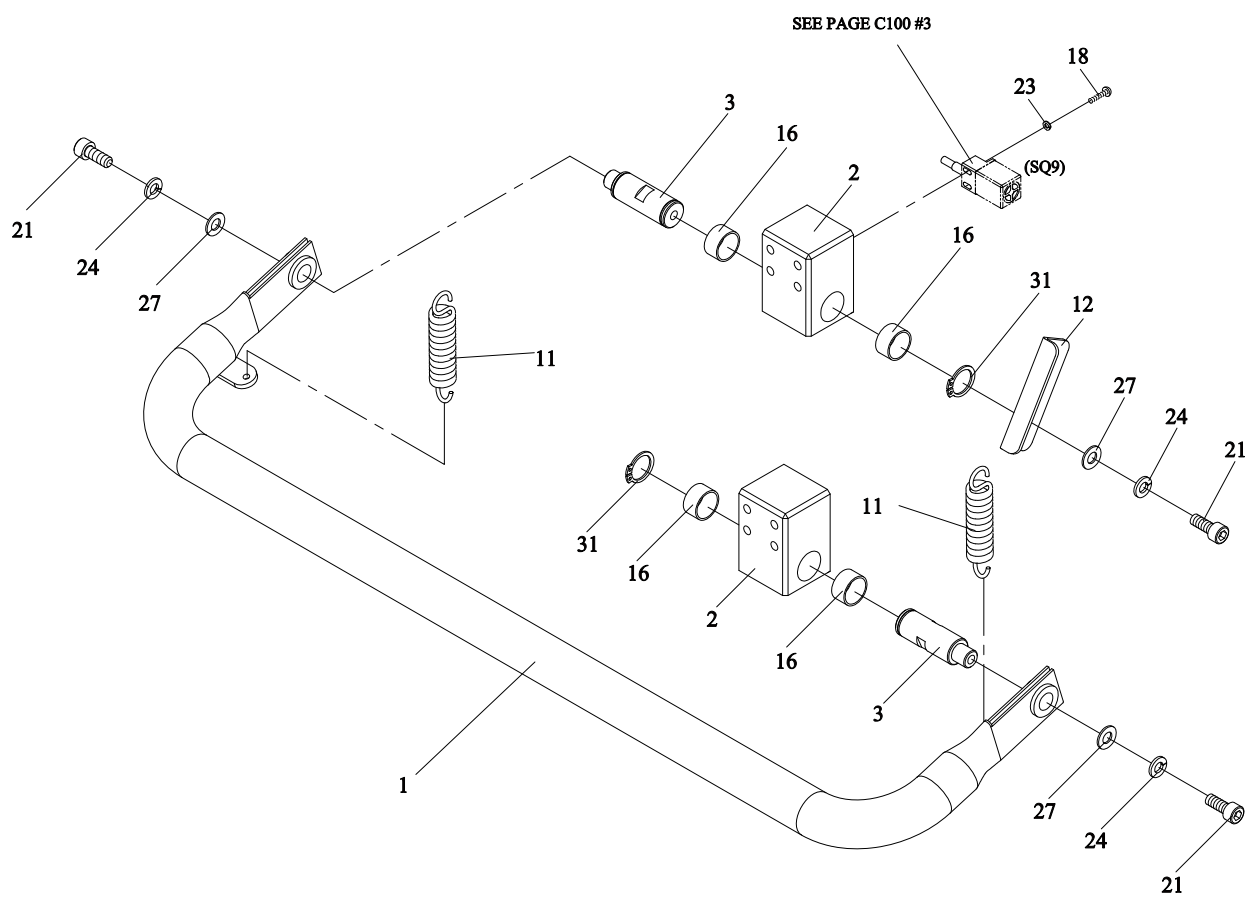
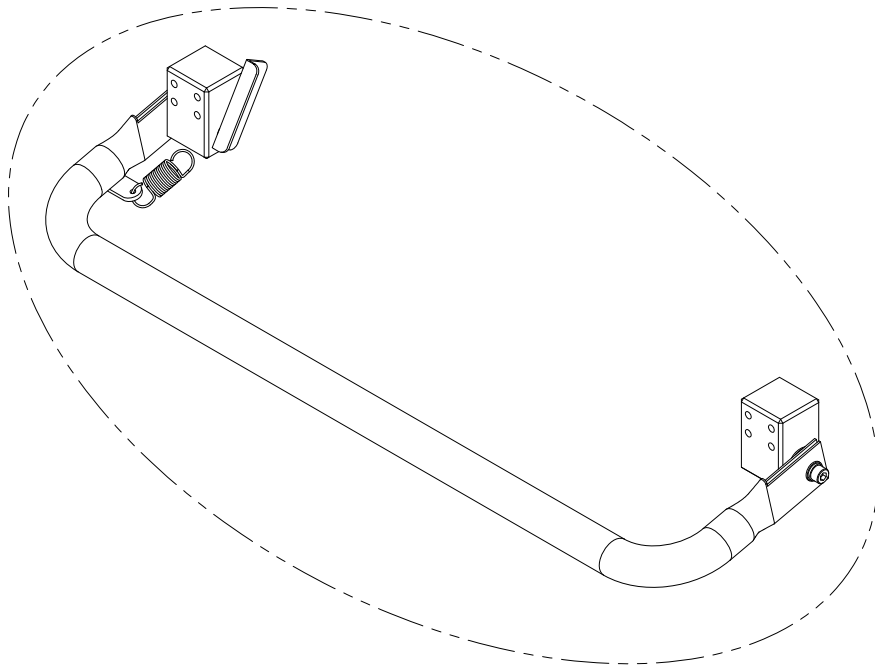
M7-5-100000
M7-5-100000S

REF. NO.	PART NO.	DESCRIPTION	Q'TY	REMARKS
	M7-5-100000	Foot Bar Group	1	
	M7-5-100000S	Foot Bar Group (Stainless Steel Model)	1	
1	M7-5-101100	Body Frame	1	
	M7-5-101100S	Body Frame (Stainless Steel Model)	1	
2	M7-5-101200	Support	1	
	M7-5-101200S	Support (Stainless Steel Model)	1	
4	T6-5-10160	Magnet Catch	1	
5	T7-5-10150	Fix Plate	4	
	T7-5-10150S	Fix Plate (Stainless Steel Model)	4	
6	T7-5-10160	Adjustment Leg	4	
	T7-5-10160S	Adjustment Leg (Stainless Steel Model)	4	
7	T7-5-10170	Caster (Brake)	2	
	T7-5-10170S	Caster (Brake) (Stainless Steel Model)	2	
8	T7-5-10180	Caster (Free)	2	
	T7-5-10180S	Caster (Free) (Stainless Steel Model)	2	
11	M7-5-110000	Foot Bar Ass'y	1	SEE PAGE C81
	M7-5-110000S	Foot Bar Ass'y (Stainless Steel Model)	1	
12	LA-50100	Label	1	
13	LA-50150	Label	2	
14	LA-50094	Label	4	
15	WD25450170	Wire Duct 25x45x170	1	
17	HBS0616N	HBS, M6×16 (N)	22	
	HBS0616S	HBS, M6×16 (Stainless Steel Model)	22	
21	TMS0308	TMS, M3×8	2	
22	TMS0406	TMS, M4×6	2	
24	SW06	SW, M6	22	
	SW06S	SW, M6 (Stainless Steel Model)	22	
25	SW16	SW, M16	4	
	SW16S	SW, M16 (Stainless Steel Model)	4	
28	PW06A	PW, M6 (A)	22	
	PW06AS	PW, M6 (A) (Stainless Steel Model)	22	
29	PW16	PW, M16	2	
	PW16S	PW, M16 (Stainless Steel Model)	2	

5-1-1

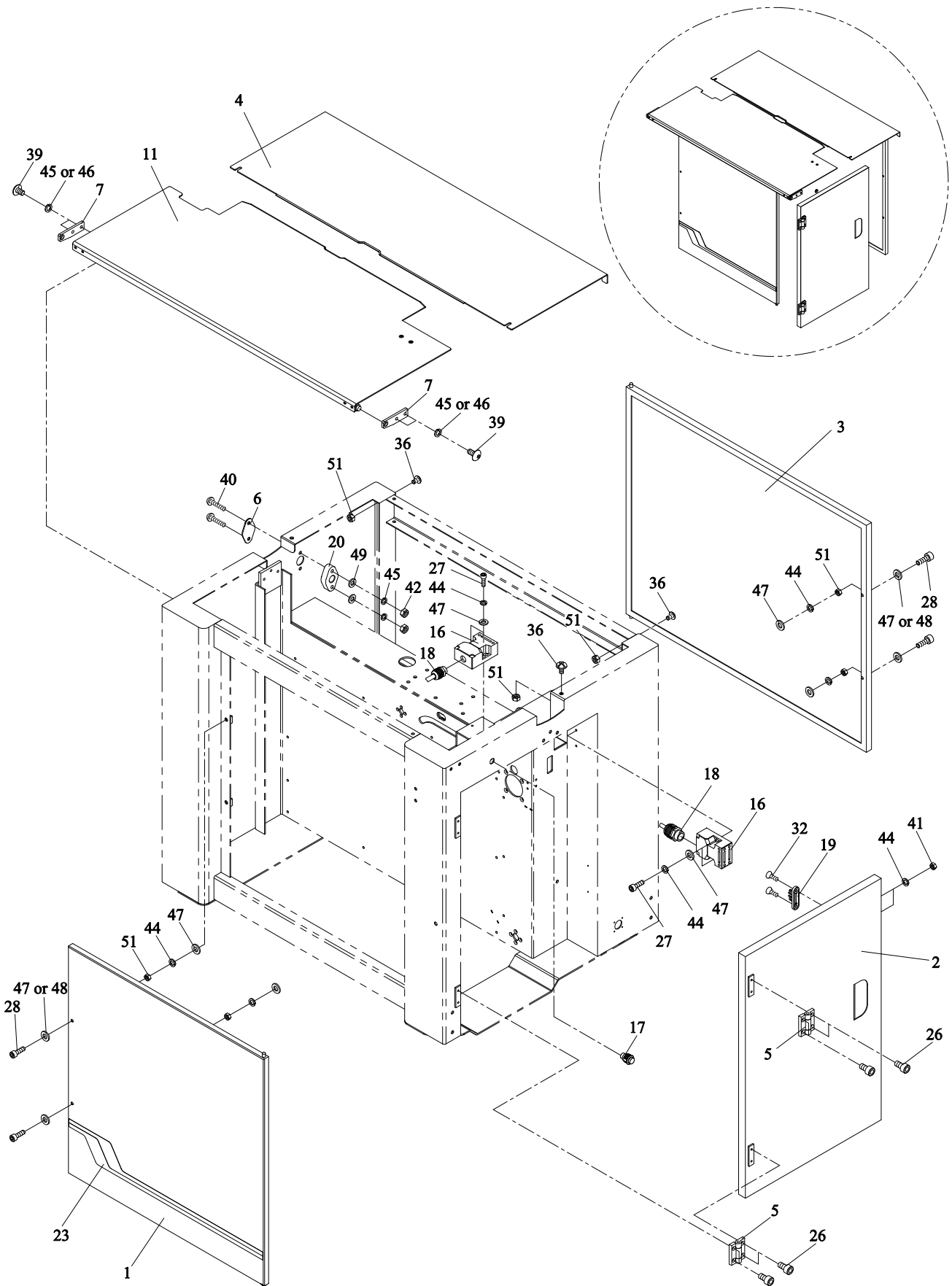
FOOT BAR ASS'Y

M7-5-110000
M7-5-110000S



5-1-1**FOOT BAR ASS'Y****M7-5-110000
M7-5-110000S**

REF. NO.	PART NO.	DESCRIPTION	Q'TY	REMARKS
	M7-5-110000	Foot Bar Ass'y	1	
	M7-5-110000S	Foot Bar Ass'y (Stainless Steel Model)	1	
1	M7-5-111100	Foot Bar	1	
	M7-5-111100S	Foot Bar (Stainless Steel Model)	1	
2	M7-5-111200	Block	2	
3	M7-5-111300	Shaft	2	
	M7-5-111300S	Shaft (Stainless Steel Model)	2	
11	TB-114	Return Spring	2	
	TB-114S	Return Spring (Stainless Steel Model)	2	
12	T7-5-30141	Sensor Plate	1	
16	MB1510	Metal Bush, 1510	4	
18	PMS0320	PMS, M3×20	2	
	PMS0320S	PMS, M3×20 (Stainless Steel Model)	2	
21	HBS0612N	HBS, M6×12 (N)	3	
	HBS0612S	HBS, M6×12 (Stainless Steel Model)	3	
23	SW03	SW, M3	2	
	SW03S	SW, M3 (Stainless Steel Model)	2	
24	SW06	SW, M6	3	
	SW06S	SW, M6 (Stainless Steel Model)	3	
27	PW06C	PW, M6 (C)	3	
	PW06CS	PW, M6 (C) (Stainless Steel Model)	3	
31	SR15	Stop Ring, S-15	2	
	SR15S	Stop Ring, S-15 (Stainless Steel Model)	2	



5-2

COVER GROUP

M7-5-200000

M7-5-200010

REF. NO.	PART NO.	DESCRIPTION	Q'TY	REMARKS
	M7-5-200000	Cover Group (For 5-6mm)	1	
	M7-5-200000S	Cover Group (Stainless Steel Model)(For 5-6mm)	1	
	M7-5-200010	Cover Group (For 9mm)	1	
	M7-5-200010S	Cover Group (Stainless Steel Model)(For 9mm)	1	
1	M7-5-201100	Front Door	1	
	M7-5-201100S	Front Door (Stainless Steel Model)	1	
2	M7-5-201200	Side Door	1	
	M7-5-201200S	Side Door (Stainless Steel Model)	1	
3	M7-5-201300	Rear Door	1	
	M7-5-201300S	Rear Door (Stainless Steel Model)	1	
4	M7-5-201400	Upper Table Rear	1	
	M7-5-201400S	Upper Table Rear (Stainless Steel Model)	1	
	M7-5-201410	Upper Table Rear (For Photo Eye) (Option)	1	
	M7-5-201410S	Upper Table Rear (For Photo Eye) (Stainless Steel Model) (Option)	1	
5	M7-5-201500	Hinge	2	
6	M7-5-201600	Cover	1	
	M7-5-201600S	Cover (Stainless Steel Model)	1	
7	M7-5-201700	Table Support	2	
	M7-5-201700S	Table Support (Stainless Steel Model)	2	
11	M7-5-210000	Upper Table Front Ass'y (For 5-6mm)	1	SEE PAGE C87
	M7-5-210000S	Upper Table Front Ass'y (Stainless Steel Model)(For 5-6mm)	1	
	M7-5-210010	Upper Table Front Ass'y (For 9mm)	1	
	M7-5-210010S	Upper Table Front Ass'y (Stainless Steel Model)(For 9mm)	1	
16	TK-035	Interlock Safety Switch	2	
17	H45-60160	Sealing Switch	1	
18	T5-2-10500	Cable Gland (PG9)	2	
19	T7-5-10210	Switch Actuator	1	
20	T7-2-10280	Block	1	
23	LA-60010	Colored Adhesive Stripes	1	
26	HBS0508N	HBS, M5×8 (N)	8	
	HBS0508S	HBS, M5×8 (Stainless Steel Model)	8	
27	HBS0520N	HBS, M5×20 (N)	4	
28	HBS0525N	HBS, M5×25 (N)	4	
	HBS0525S	HBS, M5×25 (Stainless Steel Model)	4	
32	FMS0512	FMS, M5×12	2	
36	TMS0520	TMS, M5×20	4	
	TMS0520S	TMS, M5×20 (Stainless Steel Model)	4	

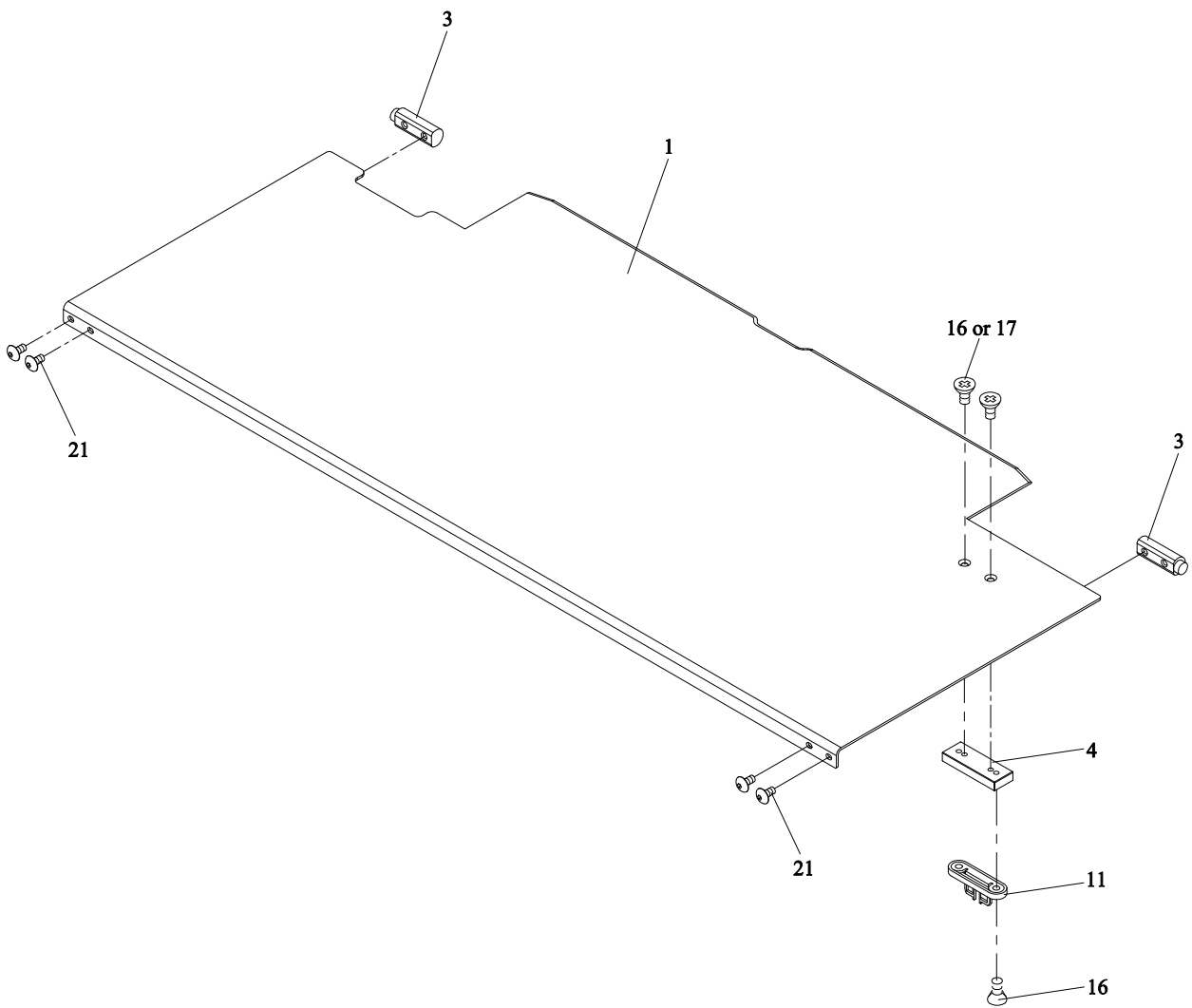
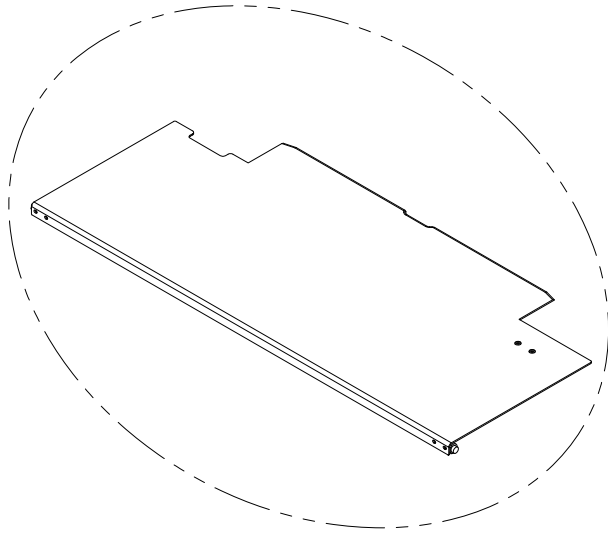
REF. NO.	PART NO.	DESCRIPTION	Q'TY	REMARKS
39	THS0612N	THS, M6×12 (N)	4	
	THS0612S	THS, M6×12 (Stainless Steel Model)	4	
40	THS0630N	THS, M6×30 (N)	2	
	THS0630S	THS, M6×30 (Stainless Steel Model)	2	
41	HN05	HN, M5	2	
42	HN06	HN, M6	2	
44	SW05	SW, M5	10	
45	SW06	SW, M6	6	
46	SW06S	SW, M6 (Stainless Steel Model)	4	
47	PW05	PW, M5	12	
48	PW05S	PW, M5 (Stainless Steel Model)	4	
49	PW06A	PW, M6 (A)	2	
51	NTE05	NTE, M5	8	

5-2-1

UPPER TABLE FRONT ASS'Y

M7-5-210000

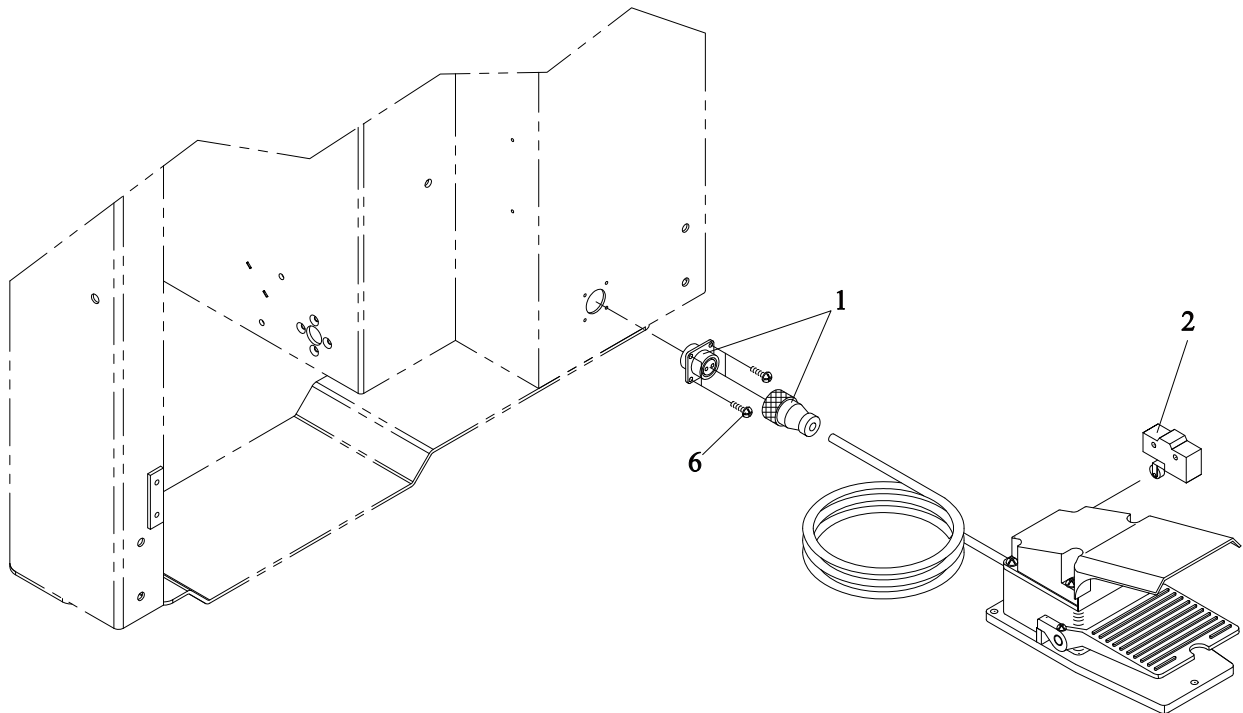
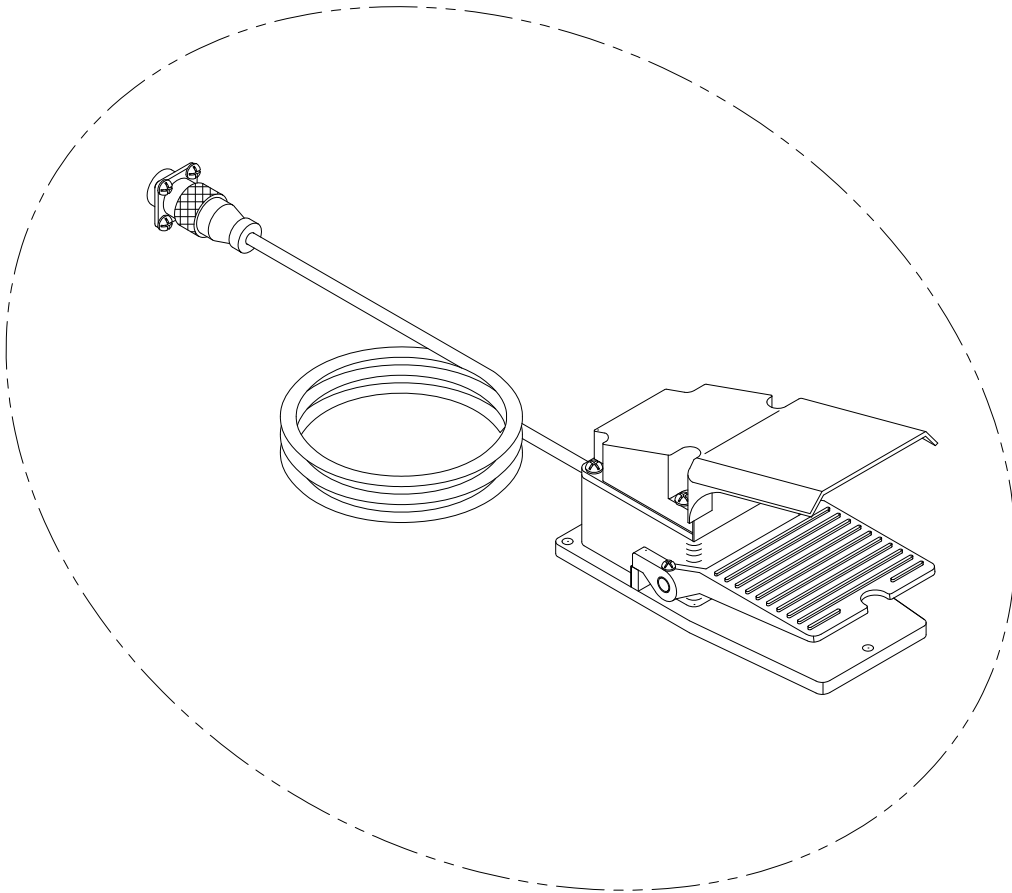
M7-5-210010



5-2-1**UPPER TABLE FRONT ASS'Y****M7-5-210000****M7-5-210010**

REF. NO.	PART NO.	DESCRIPTION	Q'TY	REMARKS
	M7-5-210000	Upper Table Front Ass'y (For 5-6mm)	1	
	M7-5-21000S	Upper Table Front Ass'y (Stainless Steel Model)(For 5-6mm)	1	
	M7-5-210010	Upper Table Front Ass'y (For 9mm)	1	
	M7-5-21001S	Upper Table Front Ass'y (Stainless Steel Model)(For 9mm)	1	
1	M7-5-211100	Upper Table Front (For 5-6mm)	1	
	M7-5-21110S	Upper Table Front (Stainless Steel Model) (For 5-6mm)	1	
	M7-5-211110	Upper Table Front (For 9mm)	1	
	M7-5-21111S	Upper Table Front (Stainless Steel Model) (For 9mm)	1	
3	M7-5-211300	Shaft	2	
	M7-5-21130S	Shaft (Stainless Steel Model)	2	
4	M7-5-211400	Bracket	1	
11	T7-5-10210	Switch Actuator	1	
16	FMS0510	FMS, M5×10	4	
17	FMS0510S	FMS, M5×10 (Stainless Steel Model)	2	
21	THS0510N	THS, M5×10 (N)	4	
	THS0510S	THS, M5×10 (Stainless Steel Model)	4	

PEDAL CONTROL SET (OPTION)

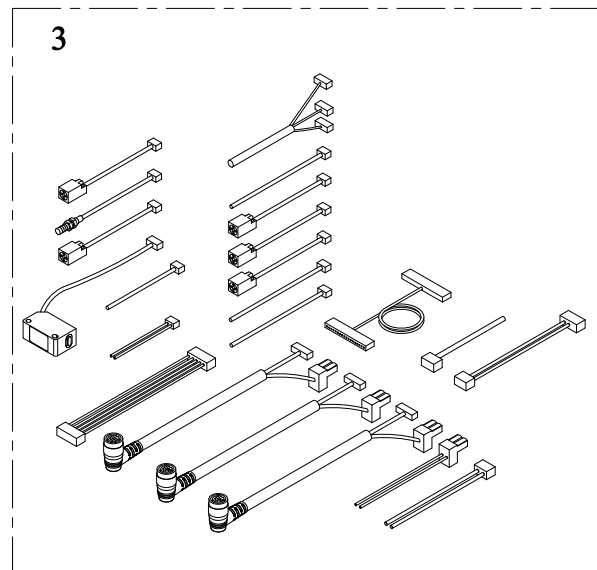
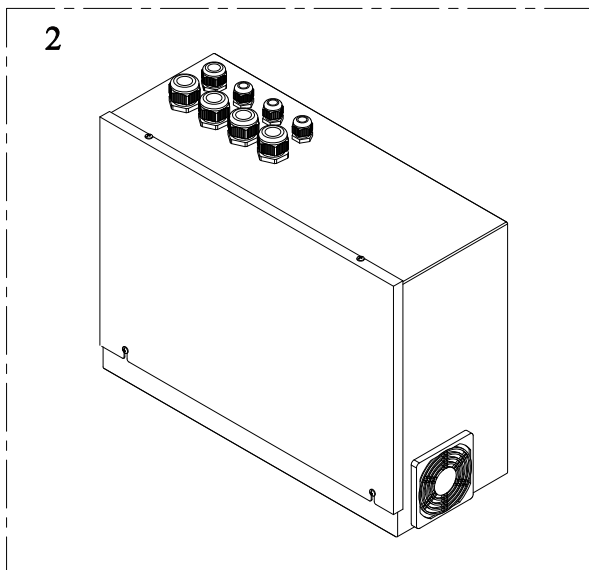
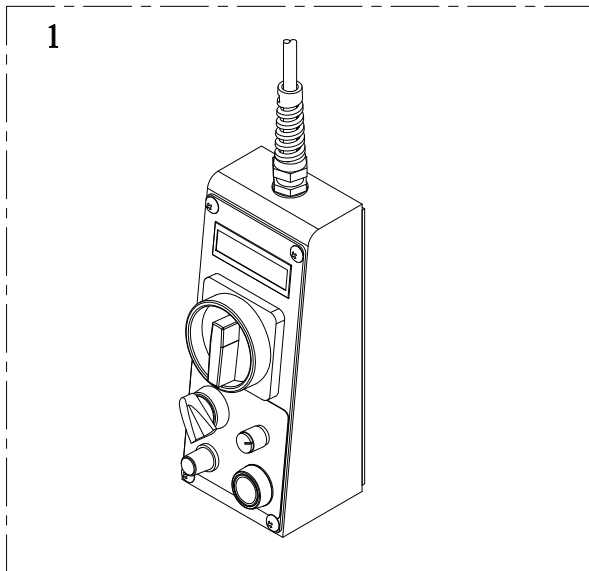
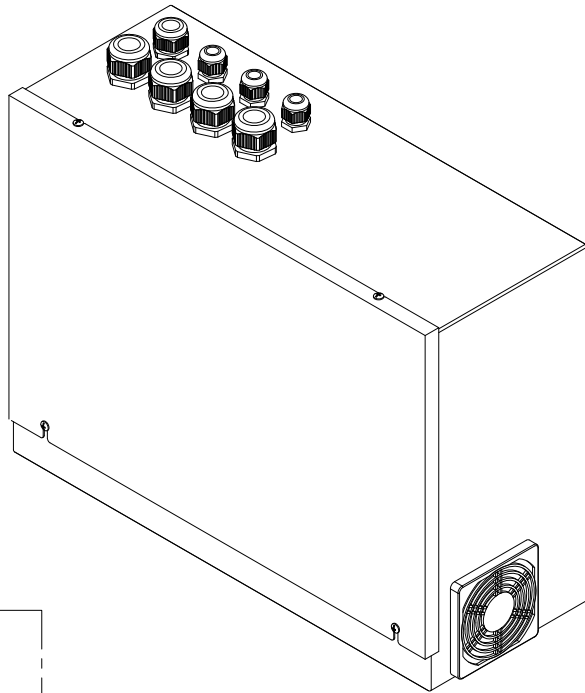
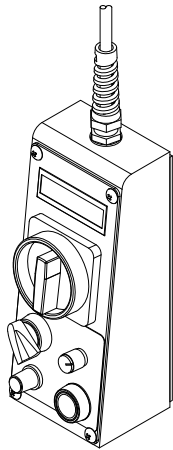


5-3

**PEDAL CONTROL SET
(OPTION)**

T7-6-40001

REF. NO.	PART NO.	DESCRIPTION	Q'TY	REMARKS
1	T6-6-10350	Connector (Foot Switch)	1	
2	T7-5-20130	Micro Switch	1	
6	TMS0308	TMS, M3×8	4	
	TMS0308S	TMS, M3×8 (Stainless Steel Model)	4	



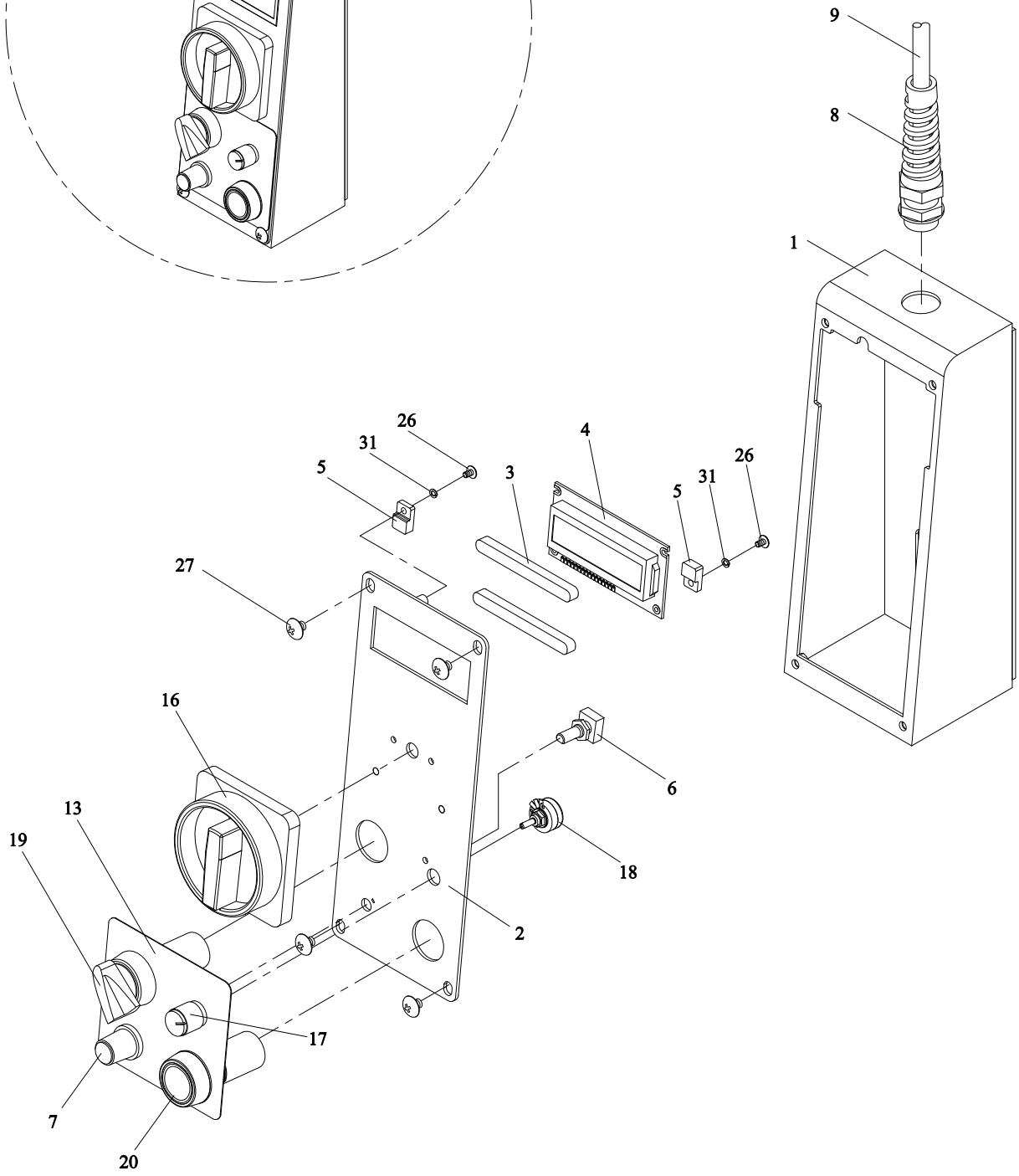
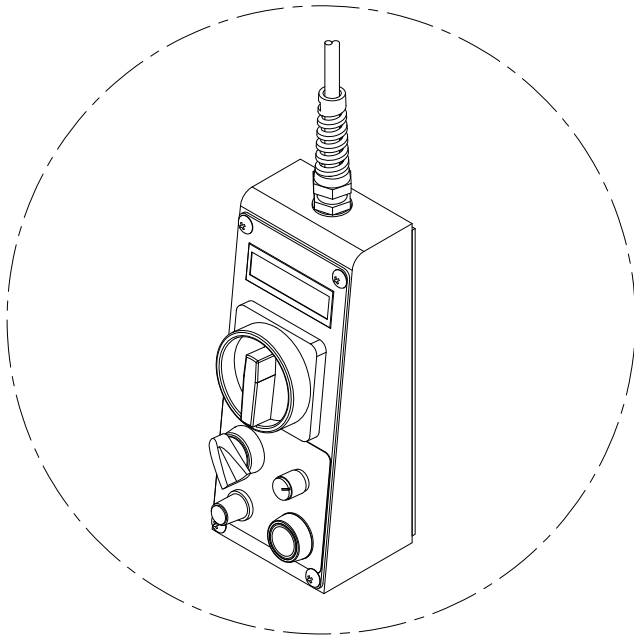
REF. NO.	PART NO.	DESCRIPTION	Q'TY	REMARKS
	M7-6-900000	Electric Control Unit (For 220V~ 240V)	1	
	M7-6-900000S	Electric Control Unit (Stainless Steel Model) (For 220V~ 240V)	1	
	M7-6-900010	Electric Control Unit (For 110V)	1	
	M7-6-900010S	Electric Control Unit (Stainless Steel Model) (For 110V)	1	
1	M7-6-100000	Control Panel Group (Europe)	1	SEE PAGE C93
	M7-6-100000S	Control Panel Group (Stainless Steel Model) (Europe)	1	
	M7-6-100010	Control Panel Group (America)	1	
	M7-6-100010S	Control Panel Group (Stainless Steel Model) (America)	1	
2	M7-6-200000	Electric Control Group (Without Wire) (For 220V~240V)	1	SEE PAGE C95
	M7-6-200000S	Electric Control Group (Without Wire) (Stainless Steel Model) (For 220V~240V)	1	
	M7-6-200010	Electric Control Group (Without Wire) (For 110V)	1	
	M7-6-200010S	Electric Control Group (Without Wire) (Stainless Steel Model) (For 110V)	1	
3	M7-6-300000	Wires Group	1	SEE PAGE C99

6-1

CONTROL PANEL GROUP

M7-6-100000

M7-6-100010



6-1

CONTROL PANEL GROUP

M7-6-100000

M7-6-100010

REF. NO.	PART NO.	DESCRIPTION	Q'TY	REMARKS
	M7-6-100000	Control Panel Group (Europe)	1	
	M7-6-100000S	Control Panel Group (Stainless Steel Model) (Europe)	1	
	M7-6-100010	Control Panel Group (America)	1	
	M7-6-100010S	Control Panel Group (Stainless Steel Model) (America)	1	
1	M7-6-101100	Control Box	1	
	M7-6-101100S	Control Box (Stainless Steel Model)	1	
2	M7-6-101200	Control Plate	1	
	M7-6-101200S	Control Plate (Stainless Steel Model)	1	
3	M7-6-101300	Rubber	2	
4	M7-6-101400	LCD	1	
5	M7-6-101500	Bracket	2	
6	M7-6-101600	Encoder	1	
7	M7-6-101700	Knob	1	
8	M7-6-101800	Flex-Protection Cable Gland	1	
9	TT-5-20120	Power Cord (Europe)	1	
	T5-4-10324	Power Cord (America)	1	
13	LA-10190	Label	1	
16	TK-001	Main Power Switch	1	
17	T5-4-10222	Knob (Hole φ 6.0)	1	
18	T5-4-10232	Variable Resistor (5K) (φ 6.0)	1	
19	T6-6-40016	2P. Selector Switch	1	
20	T7-6-20480	Restart Switch (2NO)	1	
26	TMS0306	TMS, M3×6	2	
27	THS0508N	THS, M5×8 (N)	4	
	THS0508S	THS, M5×8 (Stainless Steel Model)	4	
31	SW03	SW, M3	2	

6-2

ELECTRIC CONTROL GROUP

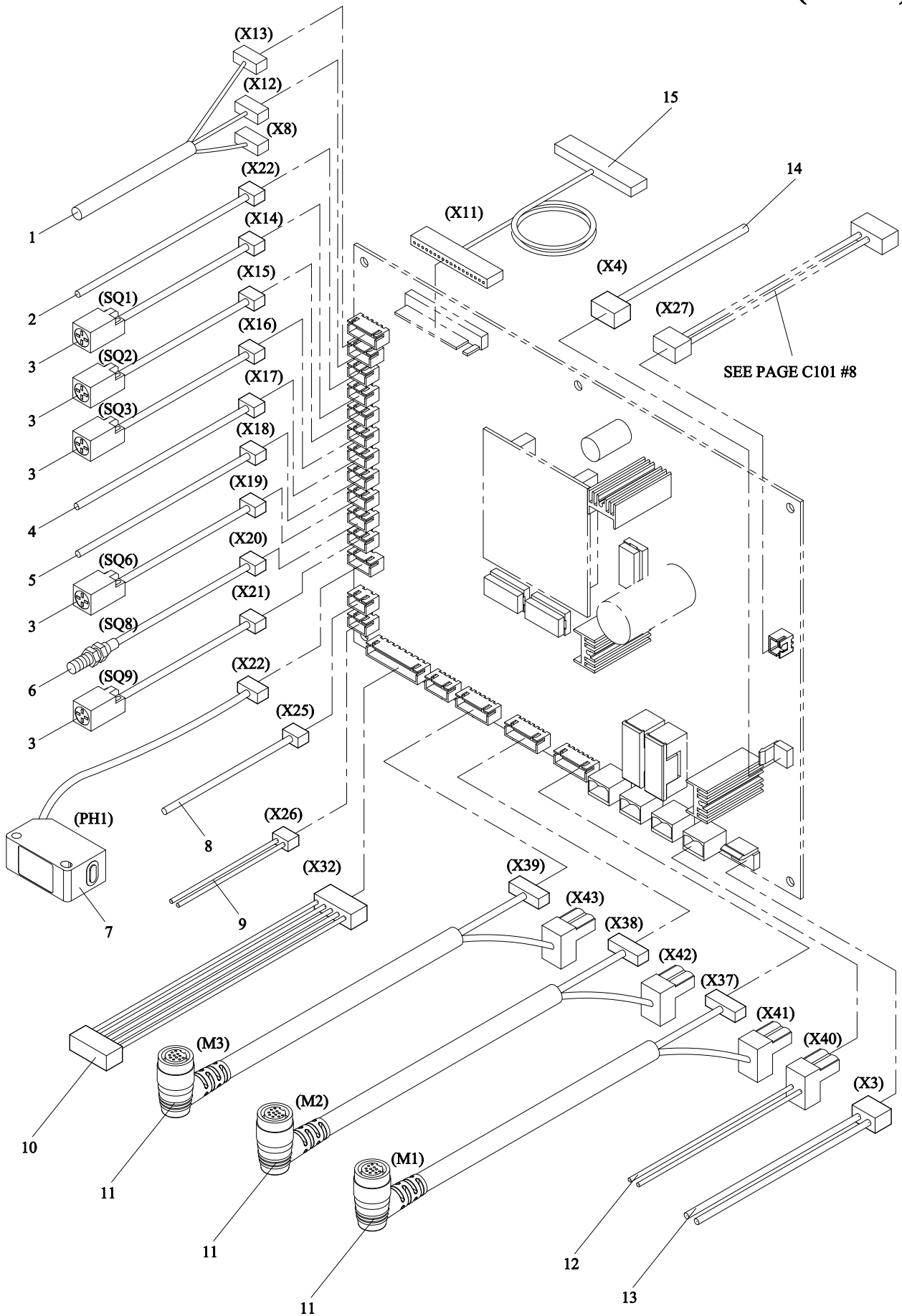
M7-6-200000

M7-6-200010

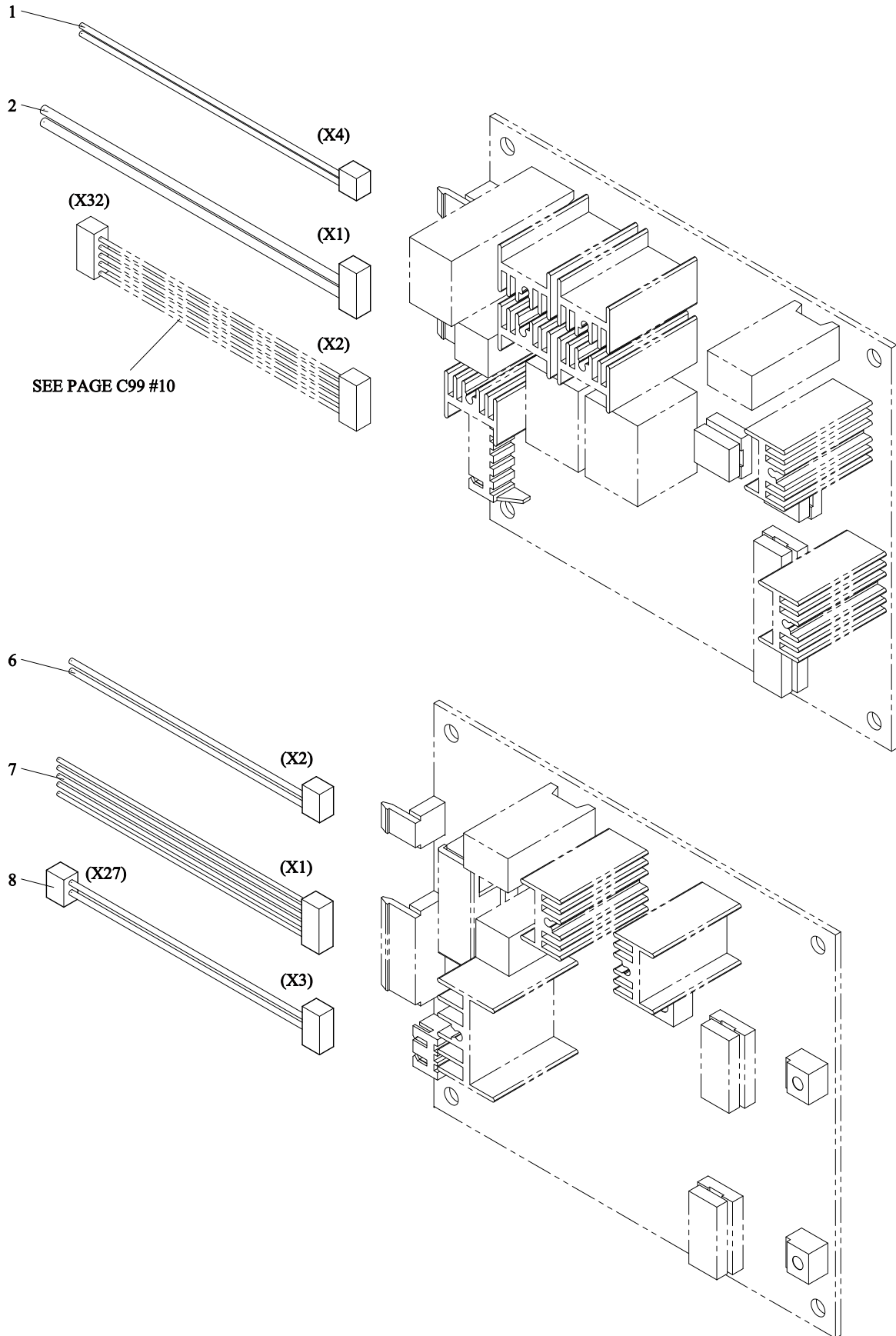
REF. NO.	PART NO.	DESCRIPTION	Q'TY	REMARKS
	M7-6-200000	Electric Control Group (For 220V~ 240V)	1	
	M7-6-200000S	Electric Control Group (Without Wire) (Stainless Steel Model) (For 220V~240V)	1	
	M7-6-200010	Electric Control Group (For 110V)	1	
	M7-6-200010S	Electric Control Group (Without Wire) (Stainless Steel Model) (For 110V)	1	
1	M7-6-201100	Electric Box	1	
	M7-6-201100S	Electric Box (Stainless Steel Model)	1	
2	M7-6-201200	Cover	1	
	M7-6-201200S	Cover (Stainless Steel Model)	1	
3	M7-6-201300	Main P.C.B (AP1)	1	
4	M7-6-201400	M4/M5 P.C.B (AP3)	1	
5	M7-6-201500	Heater P.C.B (AP2)	1	
6	M7-6-201600	Power Supply	1	
7	M7-6-201700	Cable Gland (PG25)	4	
8	M7-6-201800	Filter	2	
9	M7-6-201900	CPU	1	
11	M7-6-200100	Filter Set	2	
16	T5-4-10160	Fuse Holder	3	
17	T5-4-10310	Earth Plate (5P)	1	
18	T6-6-10980	Cable Gland (PG11)	3	
19	T6-6-30032	Fuse (3A, 30mm) (For 220V~240V)	1	
	T6-6-30033	Fuse (5A, 30mm) (For 110V)	1	
20	T6-6-30133	Fuse (10A, 30mm)	1	
23	TT-5-10150	Fuse (1A, 20mm)	1	
24	T7-6-11250	Cable Gland (PG21)	1	
25	T7-6-10690	Magnetic Switch	1	
26	FU30040	Fuse (4A, 30mm)	1	
27	FU20040	Fuse (4A, 20mm)	2	
29	WD25450250	Wire Duct 25x45x250	1	
30	WD45650170	Wire Duct 45x65x170	1	
31	WD45650425	Wire Duct 45x65x425	1	
34	FR-24049600	Foam Rubber	1	
35	FR-24049601	Foam Rubber	1	
36	FR-24028700	Foam Rubber	2	
38	TMS0312	TMS, M3×12	2	
39	TMS0308	TMS, M3×8	17	
40	TMS0406	TMS, M4×6	7	
42	TMS0420	TMS, M4×20	5	
43	TMS0420S	TMS, M4×20 (Stainless Steel Model)	4	

6-2**ELECTRIC CONTROL GROUP****M7-6-200000****M7-6-200010**

REF. NO.	PART NO.	DESCRIPTION	Q'TY	REMARKS
45	FMS0406	FMS, M4×6	8	
48	HBS0510N	HBS, M5×10 (N)	4	
50	SW04	SW, M4	1	
51	SW05	SW, M5	4	
53	PW05	PW, M5	4	
56	NTE04	NTE, M4	4	



REF. NO.	PART NO.	DESCRIPTION	Q'TY	REMARKS
1	EW720005BX12	Wire Ass'y X13/X12/X8 (Control Panel)	1	
2	EW720005BX22	Wire Ass'y X22 (Foot Switch) (Option)	1	
3	MV-6-20220	Sensor (SQ1, SQ2, SQ3, SQ9)	4	SEE PAGE C3, C81
		Sensor (SQ1, SQ2, SQ3, SQ9, SQ6) (Option)	5	SEE PAGE C3, C41, C81
4	EW720005BX17	Wire Ass'y X17 (SQ4)	1	
5	EW720005BX18	Wire Ass'y X18 (SQ5)	1	
6	M7-6-301100	Proximity Switch (SQ8)	1	SEE PAGE C27
7	M7-6-301200	Photo Eye (PH1)(Option)	1	SEE PAGE C3
8	EW720005BX25	Wire Ass'y X25 (Reel Release Switch)	1	
9	EW720005BX26	Wire Ass'y X26 (Machine Ready)	1	
10	EW720005BX32	Wire Ass'y X32 (Control Wire for M4/M5)	1	
11	M7-6-300100	Motor Cable (M1, M2, M3)	3	
12	EW720005BX40	Wire Ass'y X40 (Power I for Main PCB)	1	
13	EW720005BX03	Wire Ass'y X3 (Power II for Main PCB)	1	
14	EW720005BX04	Wire Ass'y X4 (Reel)	1	
15	EW720005BX11	Wire Ass'y X11 (LCD)	1	



REF. NO.	PART NO.	DESCRIPTION	Q'TY	REMARKS
1	EW720005BM04	Wire Ass'y X4 (Power for M4/M5 PCB)	1	
2	EW720005BM01	Wire Ass'y X1 (Power for M4/M5)	1	
6	EW720005BH02	Wire Ass'y X2 (Power for H.T PCB)	1	
7	EW720005BH01	Wire Ass'y X1 (H.T/Sensor/Fan)	1	
8	EW720005BH03	Wire Ass'y X3 (Heater Ready)	1	