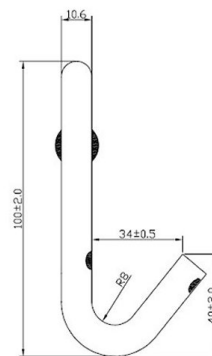
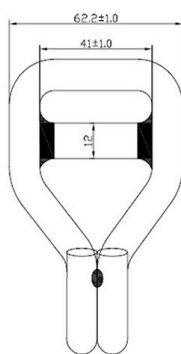
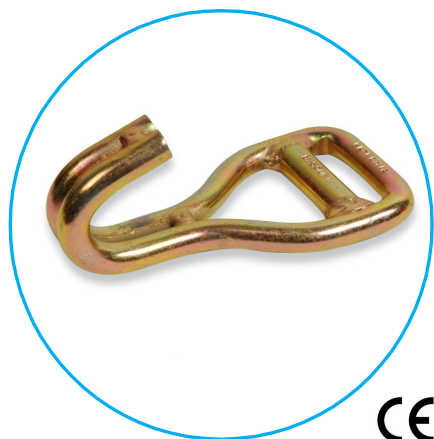


# ganci lash one-way

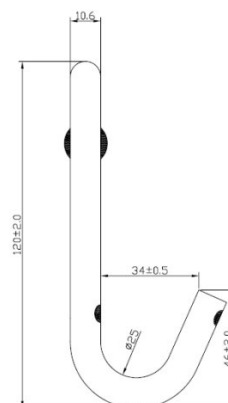
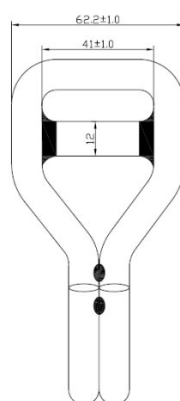
**G3530C** 35mm 3.000kg corto



**G3530L** 35mm 3.000kg lungo



CE

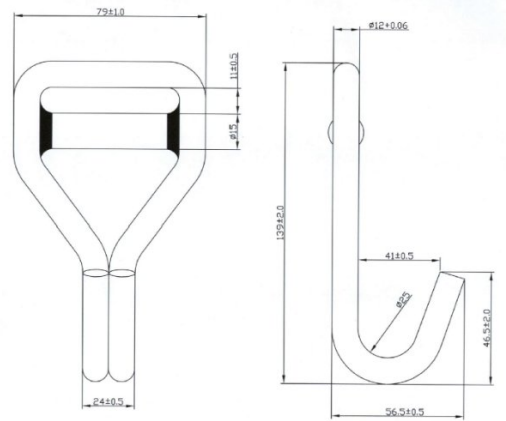


**joint system**

via volvera 123  
10090 bruino torino italy  
t +39 011 957 29 54  
f + 39 011 908 42 94  
p.iva/c f 07038280017

[info@jointssystem.com](mailto:info@jointssystem.com)

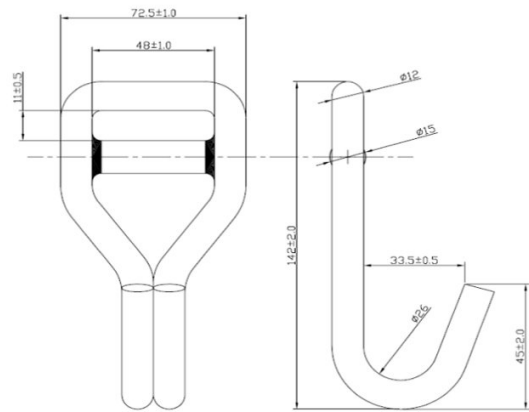
**G4050** 40mm 5.000kg



**G5050** 50mm 5.000kg



CE



**joint system**

via volvera 123  
10090 bruino torino italy  
t +39 011 957 29 54  
f + 39 011 908 42 94  
p.iva/c f 07038280017

[info@jointssystem.com](mailto:info@jointssystem.com)